



# VCT-LP

## Lobe knobs

with retaining chain, technopolymer



### Main specifications

#### Material

High-resilience polypropylene based (PP) technopolymer, black colour, matte finish.

Technopolymer centre cap, black colour, matte finish. Not available for VCT.25.

Elastic fork in acetal based technopolymer (POM), black colour.

#### Retaining chain

Ball cable and coupling heads in acetal resin based (POM) technopolymer, black colour.

NERINOX treated stainless steel ring with two coils.

Head fastening by means of a self-tapping screw  $\varnothing 4.8$  mm UNI EN ISO 7050 or a M5 countersunk-head screw UNI EN ISO 10642.

#### Standard execution

- **VCT-B-LP**: brass boss, threaded pass-through hole.
- **VCT-p-LP**: zinc-plated steel threaded stud chamfered flat end according to UNI 947: ISO 4753 (see [TECHNICAL DATA](#)).

### General information

#### Features and applications

The elastic fork, housed in the groove of the knob can turn freely. The coiled ring connects the fork to the chain.

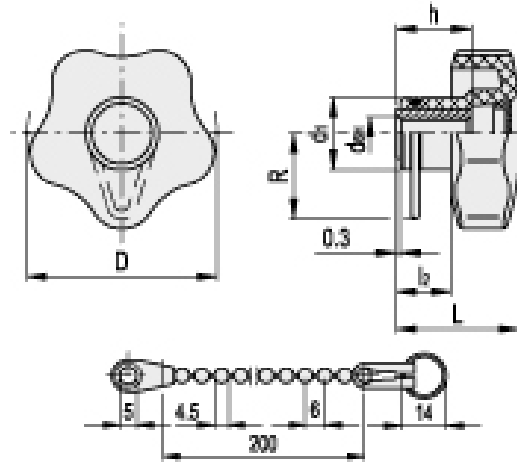
Suitable where it is necessary to prevent the loss of the knob.

### Other executions

#### Special executions on request

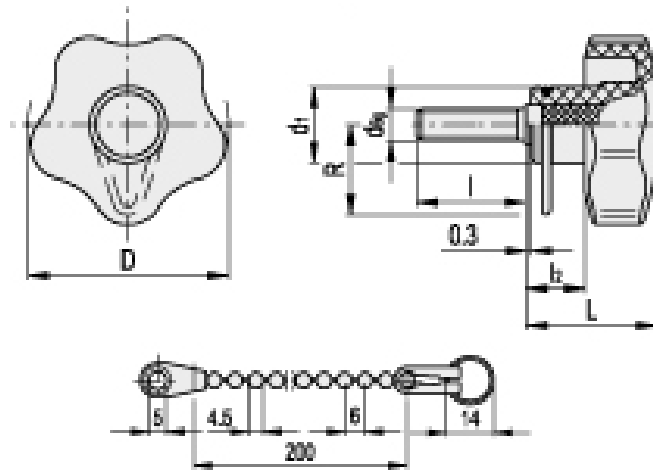
- Chain in different lengths.
- Knob with stainless steel cable
- GN 111
- .
- .
- GN 111.2
- .
- .
- and
- GN 111.4
- .
- .
- .

VCT-B-LP



Code	Description	D	d <sub>6H</sub>	L	d <sub>1</sub>	l <sub>2</sub>	h	R	C# [Nm]	Weight
<b>69512-C9</b>	VCT.25 B-M5-LP-C9	25	M5	19	13	8	10	20	7	10
<b>69544-C9</b>	VCT.32 B-M6-LP-C9	32	M6	23	15	10	12	21	10	14
<b>69594-C9</b>	VCT.40 B-M8-LP-C9	40	M8	27	17	12	18	21.5	18	24
<b>69654-C9</b>	VCT.50 B-M10-LP-C9	50	M10	32	19	14	20	22.5	27	34
<b>69714-C9</b>	VCT.63 B-M12-LP-C9	63	M12	37	22	16	26	24	50	44

VCT-p-LP



Code	Description	D	d <sub>6g</sub>	L	d <sub>1</sub>	l	l <sub>2</sub>	R	C# [Nm]	Weight
<b>69521-C9</b>	VCT.25 p-M5x10-LP-C9	25	M5	19	13	10	8	20	6	9
<b>69522-C9</b>	VCT.25 p-M5x16-LP-C9	25	M5	19	13	16	8	20	6	10
<b>69523-C9</b>	VCT.25 p-M5x20-LP-C9	25	M5	19	13	20	8	20	6	11
<b>69524-C9</b>	VCT.25 p-M5x25-LP-C9	25	M5	19	13	25	8	20	6	12
<b>69551-C9</b>	VCT.32 p-M6x16-LP-C9	32	M6	23	15	16	10	21	8	15
<b>69552-C9</b>	VCT.32 p-M6x20-LP-C9	32	M6	23	15	20	10	21	8	16
<b>69553-C9</b>	VCT.32 p-M6x25-LP-C9	32	M6	23	15	25	10	21	8	17
<b>69554-C9</b>	VCT.32 p-M6x30-LP-C9	32	M6	23	15	30	10	21	8	18
<b>69612-C9</b>	VCT.40 p-M8x20-LP-C9	40	M8	27	17	20	12	21.5	16	26
<b>69613-C9</b>	VCT.40 p-M8x25-LP-C9	40	M8	27	17	25	12	21.5	16	28
<b>69614-C9</b>	VCT.40 p-M8x30-LP-C9	40	M8	27	17	30	12	21.5	16	29
<b>69616-C9</b>	VCT.40 p-M8x40-LP-C9	40	M8	27	17	40	12	21.5	16	32
<b>69671-C9</b>	VCT.50 p-M10x20-LP-C9	50	M10	32	19	20	14	22.5	23	38
<b>69672-C9</b>	VCT.50 p-M10x25-LP-C9	50	M10	32	19	25	14	22.5	23	41
<b>69673-C9</b>	VCT.50 p-M10x30-LP-C9	50	M10	32	19	30	14	22.5	23	43
<b>69675-C9</b>	VCT.50 p-M10x40-LP-C9	50	M10	32	19	40	14	22.5	23	48
<b>69733-C9</b>	VCT.63 p-M12x30-LP-C9	63	M12	37	22	30	16	24	46	69
<b>69735-C9</b>	VCT.63 p-M12x40-LP-C9	63	M12	37	22	40	16	24	46	75
<b>69736-C9</b>	VCT.63 p-M12x50-LP-C9	63	M12	37	22	50	16	24	46	82

13.10.2017

Lobe knobs VCT-LP - Clamping Knobs | Elessa+Ganter

# "Max limit Tightening torque" means the max torque value at which the metal insert, in normal conditions of use, is perfectly and strongly anchored to the plastic material.

## X-ON Electronics

Largest Supplier of Electrical and Electronic Components

*Click to view similar products for [Knobs & Dials](#) category:*

*Click to view products by [Elesa & Ganter](#) manufacturer:*

Other Similar products are found below :

[015-2-11](#) [61-9028.20](#) [61-9028.9](#) [8529](#) [8573](#) [11K5015-EMNB](#) [11K5019-ECNB](#) [11K5020-KLAB](#) [11K5028-JMNG](#) [11K5048-KMNB](#) [11K5014-EMNB](#) [11K5019-EMNB](#) [11K5029-KMNG](#) [P400S-08-D6-N](#) [K6510](#) [KNSL500B1/8](#) [27708-2](#) [T48901](#) [AL811BA18](#) [420031B18](#) [5006](#) [51216](#) (GREY) [KB700BA1/4](#) [KS700B14](#) [411](#) [5149A](#) [028-1-11](#) [52-928.20](#) [52-928.60](#) [52-928.9](#) [8517](#) [8545](#) [8546](#) [8570](#) [8572](#) [H-516-3A](#) [P861H-0X-S6](#) [8544](#) [11K5014-JMNG](#) [11K5014-KMNG](#) [11K5014-ECNG](#) [5700E](#) [KA500B18](#) [KFS600B14](#) [KN900AB14](#) [KFS500B14](#) [KNS501B18](#) [PKD60B1018](#) [PK1100B18](#) [PKES140B14](#)