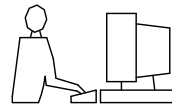
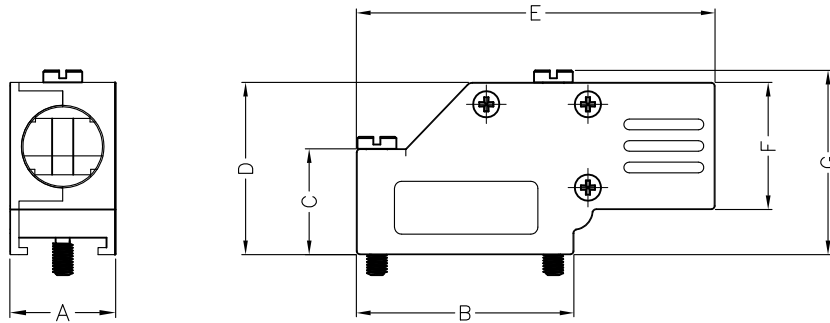


THIS IS A C.A.D. GENERATED DRAWING  
DO NOT MAKE MANUAL REVISIONS TO MASTER.  
BACKSHELL KIT INCLUDES:

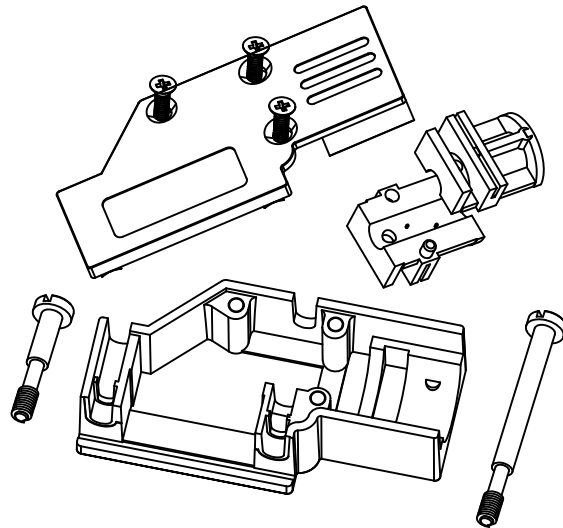
- (2) BACKSHELL HALVES
- (3) HOUSING SCREWS
- (1) 4-40 LONG THUMBSCREWS
- (1) 4-40 SHORT THUMBSCREWS
- (1) SET OF COMPRESSION INSERTS-VARIOUS SIZES  
DIAMETERS 4mm(.157"), 5mm(.167"), 7mm(.276"), 9mm(.354")



\* UNLESS OTHERWISE SPECIFIED TOLERANCES  
ON DECIMAL IS: ANGLE  $\pm 1^\circ$   
UNIT: MM .XX  $\pm 0.35$



DIMENSIONS(mm/in)							
SIZE	A $\pm 1.0$ $\pm 0.039$	B $\pm 1.0$ $\pm 0.039$	C $\pm 1.0$ $\pm 0.039$	D $\pm 1.0$ $\pm 0.039$	E $\pm 1.0$ $\pm 0.039$	F $\pm 1.0$ $\pm 0.039$	G $\pm 0.80$ $\pm 0.031$
9	15.0	30.8	15.0	24.4	50.8	18.0	26.2
	0.59	1.21	0.59	0.96	2.0	0.71	1.03
25	15.8	53.3	23.1	34.5	72.4	24.3	36.6
	0.62	2.10	0.91	1.36	2.85	0.96	1.44



ORDERING INFORMATION:

SIZE	P/N - KITTED	PRODUCT CODE
9-WAY	6560-0501-01	MHDCMR-09-RA-K
25-WAY	6560-0501-03	MHDCMR-25-RA-K

SIZE	P/N - KITTED	PRODUCT CODE
9-WAY	6561-0501-01	MHDCMR-09-RA
25-WAY	6561-0501-03	MHDCMR-25-RA

BACKSHELL: MATERIAL: DIE CAST ZINC ALLOY  
PLATING: NICKEL PLATED  
4-40 THUMBSCREWS: STEEL-Zn PLATED  
HOUSING SCREWS: STEEL-Zn PLATED  
COMPRESSION INSERT: ABS,UL RECOGNIZED  
OPERATING TEMP: -40°C TO+120°C



THIS SERIES FULLY CONFORMS TO THE EUROPEAN UNION DIRECTIVES 2002/95/EC AND 2002/96/EC FOR RoHS COMPLIANCY.



THESE DRAWINGS AND SPECIFICATIONS ARE THE PROPERTY OF MH CONNECTORS LTD. AND SHALL NOT BE REPRODUCED, COPIED OR USED AS THE BASIS FOR THE MANUFACTURE OR SALE OF APPARATUS WITHOUT WRITTEN PERMISSION.

MH CONNECTORS LTD.

DRAWN Johnny		DATE 01-17-13	
APPROVED		DATE	
SCALE 1:1	SHEET OF 1 OF 1	REV: 1.0	
DRAWING No MHDCMR-XX-RA-K			

## X-ON Electronics

Largest Supplier of Electrical and Electronic Components

*Click to view similar products for [MH Connectors](#) manufacturer:*

Other Similar products are found below :

[MHDCMR37-ULP](#) [MHDRB-MC](#) [MHCCOV-25MEL](#) [MHDPPK25-LG-K](#) [MHCCOV-25SC-BK](#) [BNCL1.0MRG58](#) [MHDTZK15-RA-K](#)  
[DCMR09-RA-K](#) [RJ45SRB-RET-P](#) [MHTRI-M-37-K](#) [T-JS](#) [RJ45SRB-RET-O](#) [BNCL2.0MRG58](#) [DSSKP25L-DB25S-K](#) [MHD45ZK15-BK-K](#)  
[MHDC09S](#) [MHTRI-P-15-K](#) [MHTRI-M-9-K](#) [RG59/62SRB-B](#) [MHCCOV-15SC-LG](#) [MHRJ116P4CR](#) [MHCCOV-25SC-MP](#) [DSSKM15L-](#)  
[DB15S-K](#) [DSSKM25L-DB25S-K](#) [RJ45SRB-RET-Y](#) [MHDPPK-M-37-K](#) [T-JS-M2.5](#) [MHCCOV-25SC-LG](#) [MHRJ45SRI-BK](#) [MHDTZI-37-K](#)  
[MHDA25-PMJ6-K](#) [DA9-SMJ8-R-K](#) [CCOV-37SC-BLACK](#) [MHDTZK25-RA-HI-K](#) [MHDA25-SMJ8-K](#) [MHCCOV-9SC-MP](#) [DJF-14](#)  
[MHDM37SP](#) [DA9-PMJ8-B-K](#) [DA25-PMJ8-M-K-RC](#) [MHD45ZK9-DM9P-K](#) [GA0909FFLGK-RC](#) [MHDD9F-T-B-S-RBM](#) [MHCCOV-](#)  
[25SCL-LG](#) [T-JS-M3.0](#) [MHD45ZK25-K](#) [MHDTPPK37-K](#) [MHCCOV-25ME](#) [C88E210000](#) [MHDVSL15-K](#)