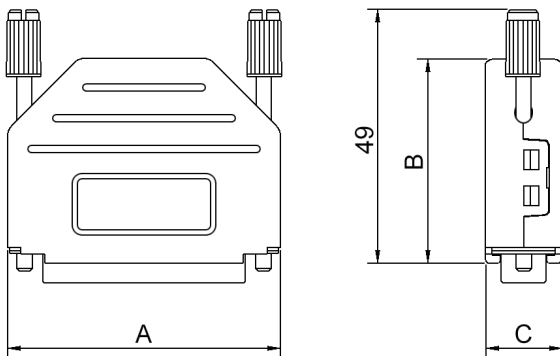


TECHNICAL SPECIFICATIONS

- Material:** Polyamid, UL-recognised
- Operating Temperature:** -55°C to +110°C
- Cable Entry:** Top
- Thumbscrews:** UNC 4-40 (Standard)
M2,5 or M3 on request
- Cable O.D:** Up to 11,5mm
- Accessories:** See page XXX
- Assembly Instruction:** See page XXX



Size	Dim A	Dim B	Dim C
9-way	31,5	34,0	15,0
15-way	40,0	34,0	15,0
25-way	53,5	34,0	15,0
37-way	70,0	40,0	15,0
50-way	67,5	40,0	15,0

Features:

- Available in sizes 9-15-25-37-50-way
- Suitable for any common Sub-D connector
- Quick-snap locking system
- Standard Colour Black, other colour on request
- Company logo can be moulded on request

Ordering information: Standard - Black

Size:	P/N - Kitted:	Product Code:
9-way	6260-0101-01	MHDPPK09-BK-K
15-way	6260-0101-02	MHDPPK15-BK-K
25-way	6260-0101-03	MHDPPK25-BK-K
37-way	6260-0101-04	MHDPPK37-BK-K
50-way	6260-0101-05	MHDPPK50-BK-K

Size:	P/N - BULK:	Product Code:
9-way	6261-0101-01	MHDPPK09-BK
15-way	6261-0101-02	MHDPPK15-BK
25-way	6261-0101-03	MHDPPK25-BK
37-way	6261-0101-04	MHDPPK37-BK
50-way	6261-0101-05	MHDPPK50-BK

Ordering information:



Light Grey

Size:	Part Number:	Product Code:
9-way	6353-0101-01	MHDPPK09-LG-K
15-way	6353-0101-02	MHDPPK15-LG-K
25-way	6353-0101-03	MHDPPK25-LG-K
37-way	6353-0101-04	MHDPPK37-LG-K
50-way	6353-0101-05	MHDPPK50-LG-K

Size:	Part Number:	Product Code:
9-way	6354-0101-01	MHDPPK09-LG
15-way	6354-0101-02	MHDPPK15-LG
25-way	6354-0101-03	MHDPPK25-LG
37-way	6354-0101-04	MHDPPK37-LG
50-way	6354-0101-05	MHDPPK50-LG



DEC Grey

Size:	Part Number:	Product Code:
9-way	6353-0102-01	MHDPPK09-DEC-K
15-way	6353-0102-02	MHDPPK15-DEC-K
25-way	6353-0102-03	MHDPPK25-DEC-K
37-way	6353-0102-04	MHDPPK37-DEC-K
50-way	6353-0102-05	MHDPPK50-DEC-K

Size:	Part Number:	Product Code:
9-way	6354-0102-01	MHDPPK09-DEC
15-way	6354-0102-02	MHDPPK15-DEC
25-way	6354-0102-03	MHDPPK25-DEC
37-way	6354-0102-04	MHDPPK37-DEC
50-way	6354-0102-05	MHDPPK50-DEC



Red

Size:	Part Number:	Product Code:
9-way	6353-0103-01	MHDPPK09-R-K
15-way	6353-0103-02	MHDPPK15-R-K
25-way	6353-0103-03	MHDPPK25-R-K
37-way	6353-0103-04	MHDPPK37-R-K
50-way	6353-0103-05	MHDPPK50-R-K

Size:	Part Number:	Product Code:
9-way	6354-0103-01	MHDPPK09-R
15-way	6354-0103-02	MHDPPK15-R
25-way	6354-0103-03	MHDPPK25-R
37-way	6354-0103-04	MHDPPK37-R
50-way	6354-0103-05	MHDPPK50-R



Blue

Size:	Part Number:	Product Code:
9-way	6353-0104-01	MHDPPK09-B-K
15-way	6353-0104-02	MHDPPK15-B-K
25-way	6353-0104-03	MHDPPK25-B-K
37-way	6353-0104-04	MHDPPK37-B-K
50-way	6353-0104-05	MHDPPK50-B-K

Size:	Part Number:	Product Code:
9-way	6354-0104-01	MHDPPK09-B
15-way	6354-0104-02	MHDPPK15-B
25-way	6354-0104-03	MHDPPK25-B
37-way	6354-0104-04	MHDPPK37-B
50-way	6354-0104-05	MHDPPK50-B



Yellow

Size:	Part Number:	Product Code:
9-way	6353-0105-01	MHDPPK09-Y-K
15-way	6353-0105-02	MHDPPK15-Y-K
25-way	6353-0105-03	MHDPPK25-Y-K
37-way	6353-0105-04	MHDPPK37-Y-K
50-way	6353-0105-05	MHDPPK50-Y-K

Size:	Part Number:	Product Code:
9-way	6354-0105-01	MHDPPK09-Y
15-way	6354-0105-02	MHDPPK15-Y
25-way	6354-0105-03	MHDPPK25-Y
37-way	6354-0105-04	MHDPPK37-Y
50-way	6354-0105-05	MHDPPK50-Y



Green

Size:	Part Number:	Product Code:
9-way	6353-0106-01	MHDPPK09-G-K
15-way	6353-0106-02	MHDPPK15-G-K
25-way	6353-0106-03	MHDPPK25-G-K
37-way	6353-0106-04	MHDPPK37-G-K
50-way	6353-0106-05	MHDPPK50-G-K

Size:	Part Number:	Product Code:
9-way	6354-0106-01	MHDPPK09-G
15-way	6354-0106-02	MHDPPK15-G
25-way	6354-0106-03	MHDPPK25-G
37-way	6354-0106-04	MHDPPK37-G
50-way	6354-0106-05	MHDPPK50-G



White

Size:	Part Number:	Product Code:
9-way	6353-0107-01	MHDPPK09-W-K
15-way	6353-0107-02	MHDPPK15-W-K
25-way	6353-0107-03	MHDPPK25-W-K
37-way	6353-0107-04	MHDPPK37-W-K
50-way	6353-0107-05	MHDPPK50-W-K

Size:	Part Number:	Product Code:
9-way	6354-0107-01	MHDPPK09-W
15-way	6354-0107-02	MHDPPK15-W
25-way	6354-0107-03	MHDPPK25-W
37-way	6354-0107-04	MHDPPK37-W
50-way	6354-0107-05	MHDPPK50-W

X-ON Electronics

Largest Supplier of Electrical and Electronic Components

Click to view similar products for [MH Connectors](#) manufacturer:

Other Similar products are found below :

[MHDCMR37-ULP](#) [MHDRB-MC](#) [MHCCOV-25MEL](#) [MHDPPK25-LG-K](#) [MHCCOV-25SC-BK](#) [BNCL1.0MRG58](#) [MHDTZK15-RA-K](#)
[DCMR09-RA-K](#) [RJ45SRB-RET-P](#) [MHTRI-M-37-K](#) [T-JS](#) [RJ45SRB-RET-O](#) [BNCL2.0MRG58](#) [DSSKP25L-DB25S-K](#) [MHD45ZK15-BK-K](#)
[MHDC09S](#) [MHTRI-P-15-K](#) [MHTRI-M-9-K](#) [RG59/62SRB-B](#) [MHCCOV-15SC-LG](#) [MHRJ116P4CR](#) [MHCCOV-25SC-MP](#) [DSSKM15L-](#)
[DB15S-K](#) [DSSKM25L-DB25S-K](#) [RJ45SRB-RET-Y](#) [MHDPPK-M-37-K](#) [T-JS-M2.5](#) [MHCCOV-25SC-LG](#) [MHRJ45SRI-BK](#) [MHDTZI-37-K](#)
[MHDA25-PMJ6-K](#) [DA9-SMJ8-R-K](#) [CCOV-37SC-BLACK](#) [MHDTZK25-RA-HI-K](#) [MHDA25-SMJ8-K](#) [MHCCOV-9SC-MP](#) [DJF-14](#)
[MHDM37SP](#) [DA9-PMJ8-B-K](#) [DA25-PMJ8-M-K-RC](#) [MHD45ZK9-DM9P-K](#) [GA0909FFLGK-RC](#) [MHDD9F-T-B-S-RBM](#) [MHCCOV-](#)
[25SCL-LG](#) [T-JS-M3.0](#) [MHD45ZK25-K](#) [MHDTPPK37-K](#) [MHCCOV-25ME](#) [C88E210000](#) [MHDVSL15-K](#)