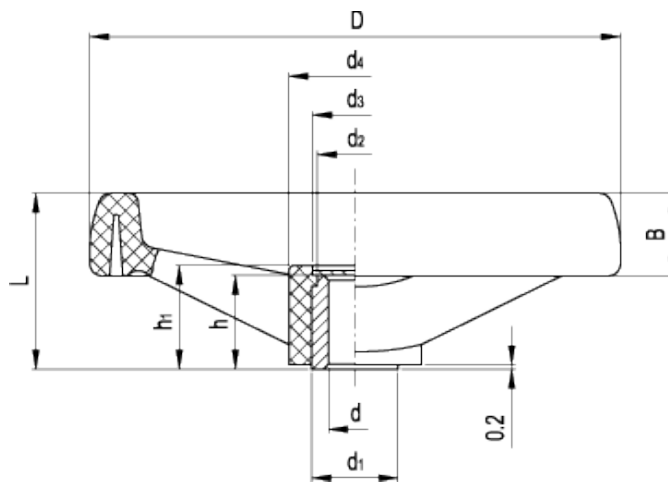


# VRTP.

Spoked handwheels



## technical informations

### Material

High-resilience polypropylene based (PP) technopolymer. Resistant to solvents, oils, greases and other chemical agents.

### Colour

Black, matte finish.

### Assembly

- Black-oxide steel boss, H7 reamed hole.
  - Execution K: bosses with hole and keyway in compliance with [DIN 6885/1 P9 tolerance](#).
- To order the handwheel with keyway complete code and description with the index -K.

### Self-adhesive front plate

Anodised aluminium.

*Accessories on request*

Axial retaining washer type [GN 184](#).

### Ergonomy

The rim with ergonomic profile offers a safe and comfortable grip when turning the handwheel with both hands even when high torque values are applied.

| Standard Elements |               | Main dimensions |    |    |                |                |                |                |                | Bore            |    | C #  | L # | Weight |
|-------------------|---------------|-----------------|----|----|----------------|----------------|----------------|----------------|----------------|-----------------|----|------|-----|--------|
| Code              | Description   | D               | L  | B  | d <sub>1</sub> | d <sub>2</sub> | d <sub>3</sub> | d <sub>4</sub> | h <sub>1</sub> | d <sub>H7</sub> | h  | [Nm] | [J] | g      |
| 78411             | VRTP.80 A-8   | 80              | 35 | 18 | 18             | 16             | 17             | 23             | 19             | 8               | 17 | 32   | 5   | 74     |
| 78412             | VRTP.80 A-10  | 80              | 35 | 18 | 18             | 16             | 17             | 23             | 19             | 10              | 17 | 32   | 5   | 70     |
| 78510             | VRTP.100 A-8  | 99              | 37 | 20 | 18             | 16             | 17             | 25             | 19             | 8               | 17 | 54   | 7   | 105    |
| 78511             | VRTP.100 A-10 | 99              | 37 | 20 | 18             | 16             | 17             | 25             | 19             | 10              | 17 | 54   | 7   | 100    |
| 78512             | VRTP.100 A-12 | 99              | 37 | 20 | 18             | 16             | 17             | 25             | 19             | 12              | 17 | 54   | 7   | 95     |
| 78610             | VRTP.125 A-8  | 124             | 44 | 22 | 22             | 20             | 21             | 31             | 25             | 8               | 22 | 94   | 10  | 165    |
| 78611             | VRTP.125 A-12 | 124             | 44 | 22 | 22             | 20             | 21             | 31             | 25             | 12              | 22 | 94   | 10  | 160    |
| 78612             | VRTP.125 A-14 | 124             | 44 | 22 | 22             | 20             | 21             | 31             | 25             | 14              | 22 | 94   | 10  | 155    |
| 78710             | VRTP.160 A-8  | 160             | 51 | 25 | 26             | 24             | 25             | 40             | 29             | 8               | 27 | 185  | 15  | 282    |
| 78711             | VRTP.160 A-14 | 160             | 51 | 25 | 26             | 24             | 25             | 40             | 29             | 14              | 27 | 185  | 15  | 275    |
| 78712             | VRTP.160 A-16 | 160             | 51 | 25 | 26             | 24             | 25             | 40             | 29             | 16              | 27 | 185  | 15  | 263    |
| 78810             | VRTP.200 A-8  | 200             | 61 | 28 | 30             | 28             | 31             | 50             | 36             | 8               | 34 | 300  | 24  | 490    |
| 78811             | VRTP.200 A-16 | 200             | 61 | 28 | 30             | 28             | 31             | 50             | 36             | 16              | 34 | 300  | 24  | 460    |
| 78813             | VRTP.200 A-20 | 200             | 61 | 28 | 30             | 28             | 31             | 50             | 36             | 20              | 34 | 300  | 24  | 430    |
| 78911             | VRTP.250 A-20 | 249             | 70 | 32 | 35             | 33             | 34             | 59             | 40             | 20              | 38 | 420  | 28  | 730    |
| 78913             | VRTP.250 A-24 | 249             | 70 | 32 | 35             | 33             | 34             | 59             | 40             | 24              | 38 | 420  | 28  | 710    |
| 78948             | VRTP.300 A-20 | 298             | 78 | 36 | 40             | 37             | 42             | 66             | 46             | 20              | 43 | 480  | 36  | 940    |
| 78951             | VRTP.300 A-26 | 298             | 78 | 36 | 40             | 37             | 42             | 66             | 46             | 26              | 43 | 480  | 36  | 970    |
| 79011             | VRTP.375 A-26 | 373             | 82 | 38 | 40             | 37             | 42             | 69             | 46             | 26              | 43 | 480  | 40  | 1185   |

# See Technical Data for maximum applicable torque (C) and impact strength (L).

This product had the following design awards:



ELESA and GANTER models all rights reserved in accordance with the law. Always mention the source when reproducing our drawings.

STANDARD MACHINE ELEMENTS WORLDWIDE

## X-ON Electronics

Largest Supplier of Electrical and Electronic Components

*Click to view similar products for [Knobs & Dials](#) category:*

*Click to view products by [Elesa & Ganter](#) manufacturer:*

Other Similar products are found below :

[015-2-11](#) [61-9028.20](#) [61-9028.9](#) [8529](#) [8573](#) [11K5015-EMNB](#) [11K5019-ECNB](#) [11K5020-KLAB](#) [11K5028-JMNG](#) [11K5048-KMNB](#) [11K5014-EMNB](#) [11K5019-EMNB](#) [11K5029-KMNG](#) [P400S-08-D6-N](#) [K6510](#) [KNSL500B1/8](#) [27708-2](#) [T48901](#) [AL811BA18](#) [420031B18](#) [5006](#) [51216](#) (GREY) [KB700BA1/4](#) [KS700B14](#) [411](#) [5149A](#) [028-1-11](#) [52-928.20](#) [52-928.60](#) [52-928.9](#) [8517](#) [8545](#) [8546](#) [8570](#) [8572](#) [H-516-3A](#) [P861H-0X-S6](#) [8544](#) [11K5014-JMNG](#) [11K5014-KMNG](#) [11K5014-ECNG](#) [5700E](#) [KA500B18](#) [KFS600B14](#) [KN900AB14](#) [KFS500B14](#) [KNS501B18](#) [PKD60B1018](#) [PK1100B18](#) [PKES140B14](#)