

S-series

for single phase alternating current, 2 pole

RG 14S-2E



Description

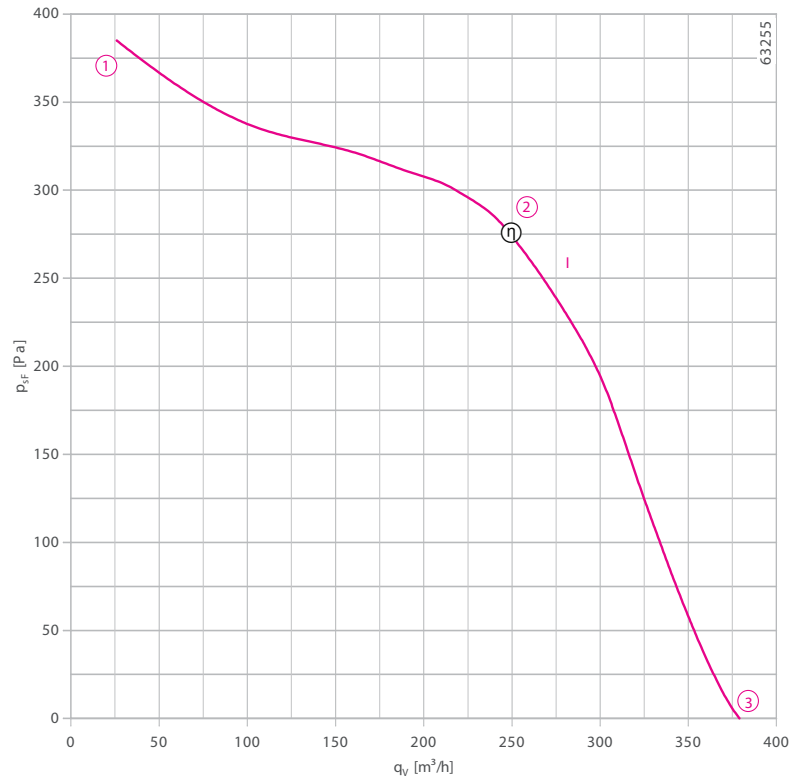
Motor technology: AC
 Rated voltage U_N : 1~ 230 V*
 Rated frequency f_N : 50 Hz* (60Hz data available)
 Motor input power P_1 : 0.11 kW*
 Rated current I_N : 0.46 A*
 Rated speed n_N : 1420 min⁻¹*
 Current increase ΔI : 0 %
 Service capacitor C_{400V} : 2.0 μ F
 Dynamic pressure: $p_{d2} = 6.4 \cdot 10^{-4} \cdot q_v^2$ [Pa]
 Thermal class: **THCL155***
 Min. permitted ambient temperature $t_{R(min)}$: -40 °C
 Max. permitted ambient temperature $t_{R(max)}$: 45 °C
 Motor protection: Thermal contact
 Impeller : Galvanised sheet metal, uncoated
 Housing: Housing unpainted
 Conformity: CE

ErP-data

Not subject to ErP regulations ($P_1 < 125$ W)

* Rated data

Characteristic curve



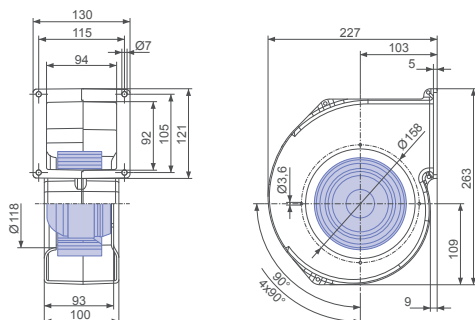
Measured in housing from ZIEHL-ABEGG.

- Connection diagram
- System components

1360-177X SW Page 368
Page 262

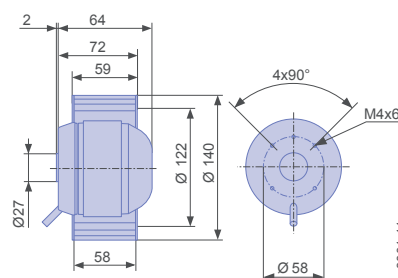
Dimensions [mm]

Fan with housing, single inlet, with flange



L-KL-2909-4

Motorised impeller



L-KL-3001-11

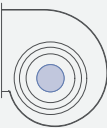



Performance data

Type	Characteristic curve	Voltage	Operating point	Current	Motor input power	Speed	Suction side sound power level
		U [V]		I [A]	P _i [W]	n [min ⁻¹]	L _{WAS} [dB]
RG14S-2EP.W6.AR	I	230	①	0.31	70	2660	
		230	②	0.38	88	2180	64
		230*	③	0.46*	105*	1420*	65

*rated data

Fan ordering information

Design	RG (with flange)	RE
Installation position	H/Vu/Vo	H/Vu/Vo
Electrical connection	Connecting cable axial 45cm	Supply cable variable 45cm
		
Type	RG14S-2EP.W6.AR	RE14P-2EP.W6.1R
Article no.	113183	113174-M
Weight [kg]	2.60	1.28

Control technology

Frequency inverter Fcontrol 1~  ↗ Page 296	Motor protection units 1~  ↗ Page 344	Transformer-based controllers 1~  ↗ Page 334	Electronic voltage controllers 1~  ↗ Page 310
---	--	---	---

Information

RM..D-ECblue

RM..D

RG..R-ECblue

RG/RD..P

RG/RD..S

System components

Control technology

General notes

X-ON Electronics

Largest Supplier of Electrical and Electronic Components

Click to view similar products for [ZIEHL ABEGG](#) manufacturer:

Other Similar products are found below :

[RG14S-2EP.WC.AR](#) [QK08A-2EM.35.CF](#)