

WAGO Wire-Way High Density Slotted Wall Duct with narrow fingers

Specifications:

PVC Material
UL standard 94 V-0
Impact strength= 15 ft. lbs. /in. notch
Tensile strength (+73° F)=6,600 psi
Coefficient of linear expansion
4.0 x 10⁻⁵ (in./in. 1° F)

Approvals:

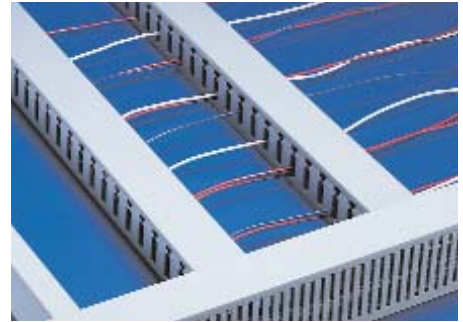
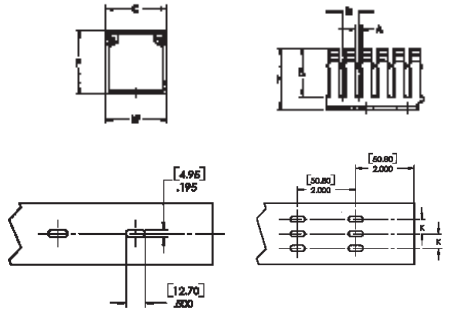
UL recognized, CSA certified
ASTM test: D-792, D-2240, D-685, D-790,
D-638, D-150, D-177, D-696, D-648, D-638,
D-256, D-635

Recommended fill ratio = 50%

of wires = duct area (in²)/1.57 x (wire o.d.)
Example: Duct size = 1 x 1, Duct Area =
0.731 in², 12 AWG = 0.258 o.d., 0.731/1.57 x
(0.158)²=19 wires



Dimensions:



High density slotted wall duct comes with narrow fingers, equaling a 2 to 1 finger ratio compared to standard slotted wiring duct.

- Narrow fingers reduce fanning of the wires to the terminal blocks.
- Compact designs and components are more easily accommodated with the high density duct's 2 to 1 finger ratio.
- High density duct also incorporates the double scored design, similar to the standard wall duct.
- With sizes 2" high and above, high density duct features a double restriction on each finger of the duct.
- The double restriction helps keep wires in the bottom portion of the duct for easier installation.
- Mounting holes are uniform in size to the solid and slotted wall duct, but are offered every 2 inches to accommodate compact designs and installations.
- Smooth Edges
- Cover is Flush with Side of Duct
- Non-Slip Cover
- Professional Appearance

Part Number	Type	Color	WxH	A	B	C	D	F	K	W	Stick/Pkg Qty.
Duct:											
51017695	High Density	White	1x1	.16	.75	1.00	.40	1.05	On Center	1.00	6' Lengths/120'
51017681	High Density	Gray	1x1	.16	.75	1.00	.40	1.05	On Center	1.00	6' Lengths/120'
51017696	High Density	White	1x2	.16	1.62	1.00	.40	2.06	On Center	1.00	6' Lengths/120'
51017682	High Density	Gray	1x2	.16	1.62	1.00	.40	2.06	On Center	1.00	6' Lengths/120'
51017697	High Density	White	2x2	.16	1.62	2.00	.40	2.06	.50	2.03	6' Lengths/120'
51017683	High Density	Gray	2x2	.16	1.62	2.00	.40	2.06	.50	2.03	6' Lengths/120'
51017698	High Density	White	3x2	.16	1.62	3.00	.40	2.06	1.00	3.03	6' Lengths/120'
51017684	High Density	Gray	3x2	.16	1.62	3.00	.40	2.06	1.00	3.03	6' Lengths/120'
51017699	High Density	White	2x3	.16	2.60	2.00	.40	3.06	.50	2.02	6' Lengths/120'
51017685	High Density	Gray	2x3	.16	2.60	2.00	.40	3.06	.50	2.02	6' Lengths/120'
51017700	High Density	White	3x3	.16	2.60	3.00	.40	2.06	1.00	3.03	6' Lengths/120'
51017686	High Density	Gray	3x3	.16	2.60	3.00	.40	2.06	1.00	3.03	6' Lengths/120'
51017701	High Density	White	4x3	.16	2.60	4.00	.40	3.06	1.50	4.03	6' Lengths/120'
51017687	High Density	Gray	4x3	.16	2.60	4.00	.40	3.06	1.50	4.03	6' Lengths/120'
51017702	High Density	White	1x4	.16	3.60	1.00	.40	4.06	On Center	1.00	6' Lengths/120'
51017688	High Density	Gray	1x4	.16	3.60	1.00	.40	4.06	On Center	1.00	6' Lengths/120'
51017703	High Density	White	2x4	.16	3.60	2.00	.40	4.06	.50	2.02	6' Lengths/120'
51017689	High Density	Gray	2x4	.16	3.60	2.00	.40	4.06	.50	2.02	6' Lengths/120'
51017704	High Density	White	3x4	.16	3.60	3.00	.40	4.06	1.00	3.00	6' Lengths/120'
51017690	High Density	Gray	3x4	.16	3.60	3.00	.40	4.06	1.00	3.00	6' Lengths/120'
51017705	High Density	White	4x4	.16	3.60	4.00	.40	4.06	1.50	4.00	6' Lengths/120'
51017691	High Density	Gray	4x4	.16	3.60	4.00	.40	4.06	1.50	4.00	6' Lengths/120'
<i>Note: Duct w/adhesive available on request</i>											
Covers:											
51017671		White								1.00	6' Lengths/120'
51017653		Gray								1.00	6' Lengths/120'
51017692		White								2.00	6' Lengths/120'
51017655		Gray								2.00	6' Lengths/120'
51017693		White								3.00	6' Lengths/120'
51017669		Gray								3.00	6' Lengths/120'
51017694		White								4.00	6' Lengths/120'
51017670		Gray								4.00	6' Lengths/120'
Accessories:											
		Description									Pkg/Qty
51017715		Panel Rivet									1000
51017716		Panel Rivet Tool									1



Panel Mounting Rivets and Tool:
WAGO Wire-Way panel rivets are one piece drive rivets that provide a fast, economical means of affixing wiring duct. The rivet is inserted into a 3/16" pre-punched hole and the pin is driven into the base, thereby expanding the rivet legs and locking the duct and sub-panel in place. The panel thickness (including the duct thickness) should be a maximum of 3/16". A panel rivet tool is also available for quick and easy installation of the drive rivets.



X-ON Electronics

Largest Supplier of Electrical and Electronic Components

Click to view similar products for [Wago manufacturer](#):

Other Similar products are found below :

[750-460](#) [231-118/026-000](#) [231-303/026-000](#) [231-620/019-000](#) [257-403](#) [280-438](#) [280-831](#) [284-624](#) [284-681](#) [206-861](#) [210-111](#) [231-303/037-000](#) [231-446/001-000_NR](#) [231-833/001-000](#) [232-216/026-000](#) [234-510](#) [264-726](#) [280-339](#) [793-500 2](#) [51228988](#) [209-132](#) [830-800/000-305](#) [788-507](#) [750-512](#) [264-321](#) [279-101](#) [281-365](#) [713-1428/107-000](#) [731-138/048-000](#) [750-459](#) [750-517](#) [750-601](#) [793-3505](#) [231-535/001-000](#) [2624-1103](#) [787-712](#) [713-1407](#) [2000-5457](#) [221-525](#) [832-1206](#) [832-3604](#) [281-512/281-501](#) [286-336](#) [288-437](#) [750-421](#) [750-838](#) [753-559](#) [750-1505](#) [787-732](#) [753-437](#)