

## Patch cable - VS-04-2X2X26C7/7-67A/OE/5,0 - 1655768


Please be informed that the data shown in this PDF Document is generated from our Online Catalog. Please find the complete data in the user's documentation. Our General Terms of Use for Downloads are valid (<http://phoenixcontact.com/download>)



Assembled USB cable, shielded, color: RAL 5021 (water blue), PUR outer sheath, USB type A/IP67 on open cable end, length: 5 m



### Key Commercial Data

|                                      |  |
|--------------------------------------|--|
| Packing unit                         | 1 pc   |
| GTIN                                 | <br>4 017918 993856 |
| Weight per Piece (excluding packing) | 352.4 g  |
| Custom tariff number                 | 85444290   |
| Country of origin                    | Germany  |
| Note                                 | Made to Order (non-returnable)   |

### Technical data

#### Dimensions

|                 |     |
|-----------------|-----|
| Length of cable | 5 m |
|-----------------|-----|

#### Ambient conditions

|                      |      |
|----------------------|------|
| Degree of protection | IP67 |
|----------------------|------|

#### General data

|                      |         |
|----------------------|---------|
| Number of positions  | 4       |
| Signal type/category | USB 2.0 |
| Degree of pollution  | 2       |

#### Characteristics head 1

|  |                          |
|--|--------------------------|
| Head type                                | Plug straight USB type A |
| No. of positions (pin connector pattern) | 4                        |

#### Characteristics head 2

|  |                |
|--|----------------|
| Head type                                | free cable end |
| No. of positions (pin connector pattern) | 4              |

#### Cable

# Patch cable - VS-04-2X2X26C7/7-67A/OE/5,0 - 1655768

## Technical data

### Cable

|   |   |
|---|---|
| Cable type                                    | FireWire  |
| Cable type (abbreviation)                     | 980   |
| Signal type/category                          | USB CAT7, 480 Mbps  |
|   | FireWire CAT7, 400 Mbps   |
| Cable structure                               | 2x2xAWG26/7 + 2xAWG20/19; S/FTP                                     |
| Conductor cross section                       | 2x 2x 0.14 mm <sup>2</sup> (signal line)                            |
|   | 2x 0.5 mm <sup>2</sup> (Power supply)                               |
| AWG signal line                               | 26  |
| AWG power supply                              | 20  |
| Conductor structure signal line               | 7x 0.15 mm  |
| Conductor structure, voltage supply           | 19x 0.20 mm   |
| Core diameter including insulation            | ≤ 1.05 mm (signal line)   |
|   | nom. 1.4 mm (Power supply)  |
| Wire colors                                   | White-blue, white-orange, white, black                              |
| Twisted pairs                                 | 2 cores to the pair   |
| Type of pair shielding                        | Aluminum-lined polyester foil                                       |
| Overall twist                                 | Two pairs and two power supply wires to the core                    |
| Shielding                                     | Tinned copper braided shield  |
| External sheath, color                        | water blue RAL 5021   |
| External cable diameter D                     | 6.7 mm  |
| Minimum bending radius, fixed installation    | 5 x D   |
| Minimum bending radius, flexible installation | 5 x D   |
| Tensile strength short-term/long-term         | ≤ 30 N  |
| Cable weight                                  | 59 kg/km  |
| Outer sheath, material                        | PUR   |
| Material conductor insulation                 | Cell PE (signal line)   |
|   | PVC (Power supply)  |
| Conductor material                            | Bare Cu litz wires  |
| Insulation resistance                         | 5 GΩ*km   |
| Conductor resistance                          | 150 Ω/km  |
| Working capacitance                           | 42 pF (per meter)   |
| Wave impedance                                | 100 Ω ±5 % (at 100 MHz)   |
| Signal speed                                  | 0.72 c  |
| Signal runtime                                | 4.6 ns/m  |
| Shield attenuation                            | 60 dB (Up to 1000 MHz)  |
| Interference suppression                      | 90 dB (Up to 1000 MHz)  |
| Coupling resistance                           | 5.00 mΩ/m (At 10 MHz)   |
| Nominal voltage, cable                        | ≤ 125 V   |
| Test voltage, cable                           | 1000 V  |
| Special properties                            | Free of substances which would hinder coating with paint or varnish |

# Patch cable - VS-04-2X2X26C7/7-67A/OE/5,0 - 1655768

## Technical data

### Cable

|                                 |   |
|---------------------------------|---|
| Flame resistance                | complying with IEC 60332-2-2                    |
| Resistance to oil               | according to EN 60811-2-1                       |
| Other resistance                | Microbe resistance as per DIN VDE 0282          |
|                                 | Hydrolysis resistance as per DIN 53504          |
| Ambient temperature (operation) | -40 °C ... 70 °C (cable, fixed installation)    |
|                                 | -10 °C ... 50 °C (cable, flexible installation) |

## Classifications

### eCl@ss

|            |          |
|------------|----------|
| eCl@ss 4.0 | 27140816 |
| eCl@ss 4.1 | 27260701 |
| eCl@ss 5.0 | 27260701 |
| eCl@ss 5.1 | 27260701 |
| eCl@ss 6.0 | 27279218 |
| eCl@ss 7.0 | 27279218 |
| eCl@ss 8.0 | 27060390 |

### ETIM

|          |          |
|----------|----------|
| ETIM 2.0 | EC000830 |
| ETIM 3.0 | EC001855 |
| ETIM 4.0 | EC001855 |
| ETIM 5.0 | EC001408 |

### UNSPSC

|               |          |
|---------------|----------|
| UNSPSC 6.01   | 31261501 |
| UNSPSC 7.0901 | 31261501 |
| UNSPSC 11     | 31261501 |
| UNSPSC 12.01  | 31261501 |
| UNSPSC 13.2   | 31261501 |

## Accessories

### Accessories

#### Protective cover

Protective covers - VS-SCRJ-PC - 1653757



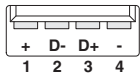
IP67 protective cover, for covering the male inserts in the sleeve housings IP67, VS-SC-RJ-..., VS-04-..., VS-06-... and VS-08-...

# Patch cable - VS-04-2X2X26C7/7-67A/OE/5,0 - 1655768

## Accessories

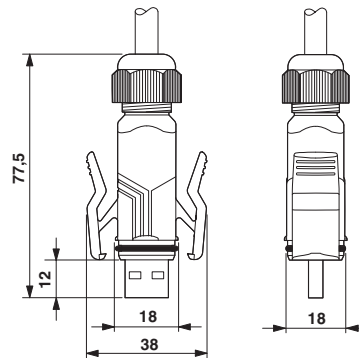
### Drawings

Schematic diagram



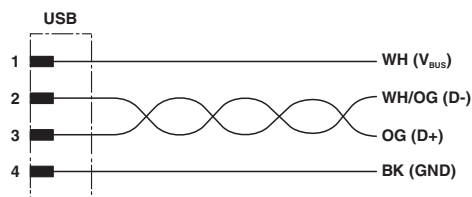
Pin assignment plug USB, type A

Dimensional drawing



USB connector, type A, IP67

Circuit diagram



## X-ON Electronics

Largest Supplier of Electrical and Electronic Components

*Click to view similar products for [USB Cables / IEEE 1394 Cables](#) category:*

*Click to view products by [Phoenix Contact](#) manufacturer:*

Other Similar products are found below :

[68768-0173](#) [FNY-W6003-01](#) [88764-0800](#) [13805532](#) [148700-1](#) [17-200621](#) [17-250051P](#) [954](#) [AC102012-2](#) [FNY-W6003-A5](#) [IP-USB1\(C10\)S-](#)  
[RW](#) [USBFTV7SA2G03A](#) [CABLE/RTP/USB/DT](#) [0847290003](#) [10115240-12200LF](#) [RS232-GTD](#) [USBFTVX2SA2N03A](#)  
[USBFTV2SA2N03A](#) [USBFTV2SA2N05A](#) [MDM9PH004B](#) [MDM9PH004P](#) [FTP-629Y401](#) [FTP-628Y402](#) [943301-001](#) [FNY-W6022](#) [FNY-](#)  
[W6003-03](#) [1310-1015-05](#) [1310-1018-04](#) [1310-1019-04](#) [0887283402](#) [UA-30AMFM-SL7B02](#) [UA-30AMFM-SL7B01](#) [UA-30AFM-LD7B03](#)  
[UA-30AMFM-SL7B03](#) [USBAPSCC7202A](#) [UES-1001A160](#) [UES-1003A160](#) [USBFTVX7SA2N20A](#) [USBFTVX2SA2N20A](#) [FTP-629Y602](#)  
[USBCAMCM100](#) [USB A/F\\*2 to 2.54 2\\*5P-SH L=400mm](#) [1310-1033-01](#) [ASR-USB](#) [68784-0075](#) [17-241361](#) [17-230471](#) [217B-BC02](#) [USB-](#)  
[29](#) [19800-010500-200-RS](#)