

444 LED Double Flash/Multi-Tone Sounder Combination

NEW



Base Mounting



Wall mounting

- Multi-Tone Sounder in combination with LED Double Flash
- Sound output adjustable up to 110 dB
- 32 tones for a diverse range of applications
- 3 Tones can be triggered externally
- Optical and audible signal can be triggered separately

TECHNICAL SPECIFICATIONS:

Dimensions (D x W x Hf):	152 mm x 109 mm x 112.5 mm
Housing:	PC/ABS-Blend
Dome:	PC, transparent
Connection:	Screwable connection with wire protection max. 1.5 mm ²
Starting consumption:	< 500 mA at 24 V
Cable entry:	Membrane for cable diameter max. 13 mm
Fixing:	Wall, base and ceiling mounting
Life duration:	Up to 50,000 hrs (LED Double Flash)
Flash frequency:	c. 1 Hz
Tone types and frequencies:	selectable via DIP switch, see table on opposite page



Life duration up to 50,000 hrs

ORDER SPECIFICATIONS:

	24 V =	115 V ~	230 V ~
Current consumption Optical	100 mA	55 mA	30 mA
Audible	60 mA	30 mA	30 mA
red	444 100 75	444 100 67	444 100 68
yellow	444 300 75	444 300 67	444 300 68

Available from 1st Quarter 2009

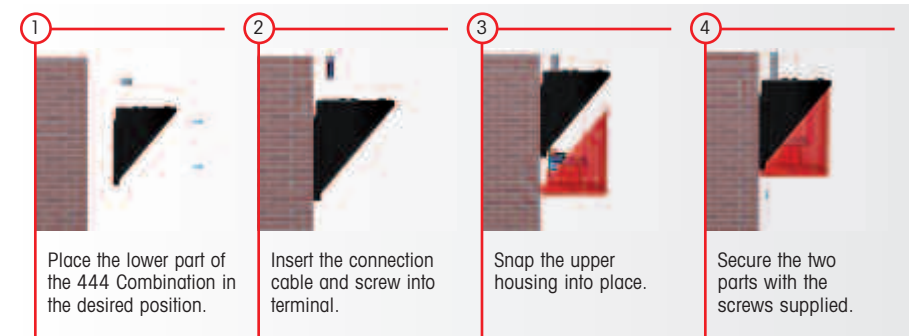
ACCESSORIES:

Cable gland M 20 x 1.5 mm **975 444 01**
(for cable pull relief)

ADDITIONAL INFORMATION:

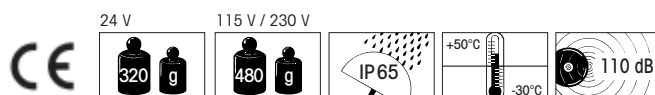
The various options for mounting (wall, base or ceiling) ensure the best possible visibility of the LED double flash and an optimal sound output.

QUICK AND SIMPLE MOUNTING



TECHNICAL DIAGRAMS:

see page 263



444 LED Double Flash/Multi-Tone Sounder Combination

The LED Double Flash/Multi-Tone Sounder 444 offers a large choice of international signal tones for the widest spectrum of applications.



🎵 TONE TYPES AND FREQUENCIES:

Tone 1	Tone type	Frequency	Description	Use	Tone 2	Tone 3
1	continuous	200		BS 5839-1:2002, VDS	440 Hz cont.	554 Hz cont.
2	rising	800 & 970	7 Hz		14	800 Hz cont.
3	rising	800 & 970	1 Hz		14	800 Hz cont.
4	continuous	2850			14	9
5	rising	2400 to 2850	7 Hz	VDS	4	2400 Hz cont.
6	rising	2400 to 2850	1 Hz		4	2400 Hz cont.
7	rising	500 to 1200	3 s, then 0.5s OFF (then repeat)		14	8
8	falling	1200 to 500	1 Hz	VDS	14	7
9	alternating	2400 & 2850	2 Hz		4	2400 Hz cont.
10	pulse	970	0.5 Hz (1s On/1s Off)	BS 5839 Part 1 1988	14	800 Hz cont.
11	alternating	800 & 970	1 Hz	BS 5839 Part 1 1988	14	800 Hz cont.
12	pulse	2850	0. Hz		4	22
13	pulse	970		0,25s On/1s Off	14	800 Hz cont.
14	continuous	970		BS 5839-1: 2002 PFEER - Toxic gas	10	8
15	alternating	554 & 440		France NFS	14	800 Hz cont.
16	pulse	660	150 ms On / 150 ms Off	Swedish	16	14
17	pulse	660	1.8s On / 1.8s Off	Swedish	17	14
18	pulse	660	6.5s On / 13s Off	Swedish	18	14
19	continuous	660		Swedish	19	31
20	alternating	554 & 440	0.5 Hz		20	19
21	pulse	660	1 Hz	Swedish	21	4
22	pulse	2850	150 ms On / 100 ms Off	GB	14	4
23	rising	800 to 970	50 Hz (low)	BS 5839 Part 1 1988	14	800 Hz cont.
24	rising	2400 to 2850	50 Hz (high)		4	2400 Hz cont.
25	pulse	970	3 x 500 ms ON / 500ms OFF / 1.5s silence, then repeat (low)	ISO 8201 US Temporal	26	14
26	pulse	2850	3 x 500 ms ON / 500 ms OFF / 1.5s silence, then repeat (high)	ISO 8201 US Temporal	25	4
27	continuous	4000			27	6
28	rising	2000 to 2850	7Hz		2000 Hz cont.	4
29	alternating	988 & 645	2Hz		988 Hz cont.	645 Hz cont.
30	alternating	510 & 610	2Hz		510 Hz cont.	610 Hz cont.
31	alternating	800 & 970	2Hz	5839-1:2002	800 cont.	14
32	alternating	800 & 1200	1Hz		800 cont.	1200 Hz cont.



LED EVS/Multi-Tone Sounder Combination

- Multi-Tone Sounder in combination with LED EVS signal
- Random sequence of light signals prevents acclimatisation effect
- 32 tones for a diverse range of applications
- Sound output adjustable up to 114 dB
- 3 tones can be triggered externally
- Optical and audible signal can be triggered separately



Base mounting



The „EVS“ light effect ensures a maximum attention-grabbing effect

TECHNICAL SPECIFICATIONS:

Dimensions (W x H x D):	152 mm x 109 mm x 113 mm		
Housing:	PC/ABS-Blend		
Dome:	PC, transparent		
Connection:	Screwable connection with wire protection max. 2.5 mm ²		
Cable entry:	Membrane for cable diameter max. 13 mm		
Starting consumption:	< 500 mA at 24 V		
Fixing:	Wall, base and ceiling mounting		
Life duration:	Up to 50,000 hrs (LED EVS)		
Tone types and frequencies:	Selectable via DIP switch, see table on page 34		



ORDER SPECIFICATIONS:

Voltage		24 V =	115 V =	230 V ~
Current consumption	LED EVS	280 mA	55 mA	30 mA
	Multi-Tone Sounder	60 mA	30 mA	30 mA
red		444 110 75	444 110 67	444 110 68
yellow		444 310 75	444 310 67	444 310 68

Available: 2nd Quarter 2010.

ACCESSORIES:

Cable gland M 20 x 1.5 mm (for cable pull relief)	975 444 01
---	-------------------

TONE TYPES AND FREQUENCIES:

See table on page 34

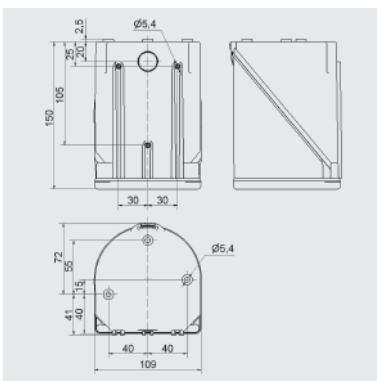
ADDITIONAL INFORMATION:

* EVS = Enhanced Visibility System (see page 28)

Increased safety in schools

WERMA has conducted an intensive study on the use of "signal devices for violent incident warning", holding numerous discussions with teachers as well as drawing on the advice of experts. Building on this knowledge and on the recommendation of the Expert Committee, the **optical-audible combination 444** has been specially developed for use in schools.

This signal device combines the attention-grabbing LED EVS signal with a loud 114 dB multi-tone sounder and can definitely not fail to achieve the desired warning effect. Pupils and teachers can be warned as clearly and rapidly as possible in the event of a violent incident.



X-ON Electronics

Largest Supplier of Electrical and Electronic Components

Click to view similar products for [Audio Indicators & Alerts](#) category:

Click to view products by [Werma](#) manufacturer:

Other Similar products are found below :

[M2BJ-BH24E](#) [6-4](#) [68S1240-PA](#) [MBA-624](#) [F/BC 40P-DR LF](#) [FDG111PLF](#) [F/NRMB 24 BLACK LF](#) [PF-35N29WQ](#) [PFD-27A35PQ](#) [PL-27A35PSQ](#) [PS-531Q](#) [AB2020B-2-LW1](#) [EBPT-401](#) [PB06SD12AP](#) [PB-1220PEQ](#) [S6109](#) [SC2036ACP](#) [SC616N-2](#) [SC628FW](#) [SC628MPG](#) [SC648D](#) [SCS045MD9DT3S](#) [AB2025B-LW50-R](#) [ESZ-25B-5-250B](#) [F/BC 35-DR LF](#) [FCM12PLF](#) [F/EB20P-DR LF](#) [F/HU110MP24V-IP67B LF](#) [AI-2835-TF-LW150-2-R](#) [AI-4228-TF-LW305-R](#) [FSMD8585JSLF](#) [FSS-26T](#) [F/SU 21-02 LF](#) [F/TCW 05 WITH LABEL LF](#) [F/UCW 03 WITH LABEL LF](#) [F/UCW 06 WITH LABEL LF](#) [PKM22EPPH40S1-B0](#) [PKM35-4A0](#) [PL-35N29WQ](#) [PLD-27A35PQ](#) [PS-552Q](#) [CM-5](#) [M2BJ-BH24E-D](#) [REF-202](#) [LSC628ANR](#) [5-100 PAL-328](#) [03-810.001](#) [RTO-1R07-001](#) [PL-21N31PQ](#) [PF-27A25PSQ](#)