
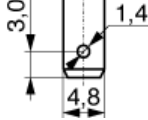

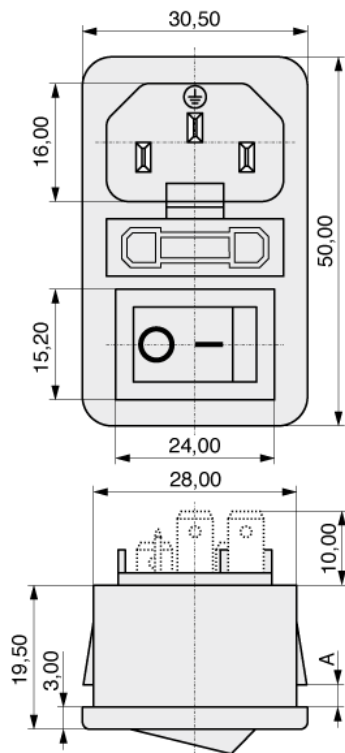




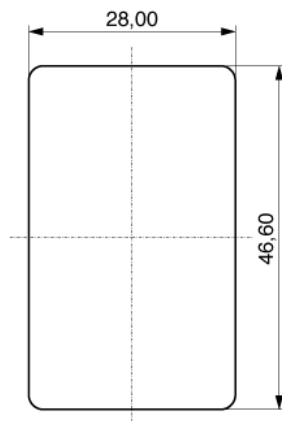
Inlet / Outlet Configuration	Inlet A - Standard C14 (70°)
	C14 
Mounting	Snap in
Inlet termination	P - Quick connect 4,8
	
No of fuses	1
Voltage selector	Without
Switch	Two-pole
A - Snap-in size	1,00 mm
Rated current	10,0 A (15,0 A acc. UL)
Rated voltage	250 V _{RMS}
Approvals	

Fused power inlet, snap-in version with switch. Fixed snap-in for panel sizes 1,0, 1,5 or 2,0 mm available.

Non illuminated switch



Mounting hole.



X-ON Electronics

Largest Supplier of Electrical and Electronic Components

Click to view similar products for [MPE-GARRY](#) manufacturer:

Other Similar products are found below :

[MPE-GARRY](#)