

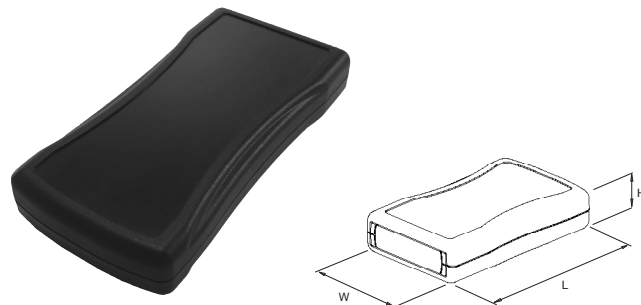
# HAND HELD CASES

## 45 Series Palm Cases

Ergonomically designed range of hand-held enclosures, with battery compartment and rubber boot options.

- Moulded in UL94-5VA Flame Retardant ABS
- Lid mounted by four self-tapping screws
- Removable end panel for ease of access and ideal for machining
- ABS end panel version as standard, infra red end panel version to order
- Sliding battery compartment lid options for AA or 9V PP3 batteries (contacts/strap included)
- Plain / no battery compartment version available to order
- Textured lid versions for consistent all over surface finish
- Smooth recess lid version for membrane keypads or overlays
- PCB pillars moulded in lid and base, screws available to order
- Recess in base for product labels

SPECIFICATION	
Material	Lid, base and end-panel in UL94-5VA ABS
Operating Temperature	Resistant to temperatures of up to 85°C
Protection class	IP54
Standard colours	Black as standard Ivory on request
Standard unit includes	Lid, base, end-panel & battery-lid 4x self-tapping screws Battery contacts/strap (+foam pad with 9V)
Options	Rubber boot



### AA battery compartment

TEXTURED LID	RECESSED LID	SIZE	LENGTH	WIDTH	HEIGHT
CHH451ABK	CHH456ABK	1	117.5mm	72.5mm	25.5mm
CHH452ABK	CHH457ABK	2	139.5mm	82.5mm	26mm
CHH453ABK	CHH458ABK	3	165mm	82.5mm	26mm

### 9V PP3 battery compartment

TEXTURED LID	RECESSED LID	SIZE	LENGTH	WIDTH	HEIGHT
CHH451PBK	CHH456PBK	1	117.5mm	72.5mm	25.5mm
CHH452PBK	CHH457PBK	2	139.5mm	82.5mm	26mm
CHH453PBK	CHH458PBK	3	165mm	82.5mm	26mm

### No battery compartment

TEXTURED LID	RECESSED LID	SIZE	LENGTH	WIDTH	HEIGHT
CHH451NBK	CHH456NBK	1	117.5mm	72.5mm	25.5mm
CHH452NBK	CHH457NBK	2	139.5mm	82.5mm	26mm
CHH453NBK	CHH458NBK	3	165mm	82.5mm	26mm

### Rubber Boot

- Flexible open faced removable silicon rubber boot
- Fits tightly over base, sides and around edges of lid
- Belt strap incorporated into back, covers battery compartment
- Suitable for any battery compartment, with textured or recessed lid
- Available in all three sizes, in blue, red and black



BLACK	RED	BLUE	SIZE
CHH451BBK	CHH451BRD	CHH451BBL	1
CHH452BBK	CHH452BRD	CHH452BBL	2
CHH453BBK	CHH453BRD	CHH453BBL	3



UNIVERSAL ENCLOSURES

HAND HELD CASES

HEAVY DUTY ENCLOSURES

DIN RAIL ENCLOSURES

INTERFACE SUPPORTS

ELECTRICAL ENCLOSURES

DIECAST & METAL ENCLOSURES

DESKTOP & INSTRUMENT CASES

POTTING BOXES

19" ENCLOSURES

19" CABINETS

DEVELOPMENT BOARD ENCLOSURES

CUSTOM SIZED ENCLOSURES

CUSTOM SERVICES

## X-ON Electronics

Largest Supplier of Electrical and Electronic Components

*Click to view similar products for [Camden manufacturer](#):*

Other Similar products are found below :

[CCTTR30RD](#) [412689X](#) [CTBP92VE/12R](#) [CTBP9350/12](#) [IND515205-240-T/GRN](#) [IND515205-240-T/RD](#) [CDIC00002](#) [CCTTBES](#)  
[C192SHAND](#) [RX510A](#) [RTM5006/16-PAT](#) [CTB9350/12FL](#) [CTBP9308/6AO](#) [CTBP9358/11](#) [CTBP9208/8](#) [CIME/M/BE2250SS](#)  
[CHH64E1BL](#) [CHD774004](#) [CHHBAT1BK](#) [CFTBN/2](#) [RTM5003/13-NAT](#) [CCB2S1/04](#) [CCM1S1/05](#) [CHDX7-224C](#) [CHDX8-221](#) [CHDX8-222](#) [CHDX8-231C](#) [CHDX810DD](#) [CHDX811DD](#) [CHDX814DD](#) [CTB9300/2A](#) [CTBP92VD/5R](#) [CTBP92VJ/8R](#) [CTSN431/12/M](#)  
[CTSN433/12/M](#) [CUABOX012](#) [CDIC00005](#) [CBRPH-BLK](#) [BIM2004/LUG-GY/GY](#) [RTM5005/15-WH](#) [RTM108-BLK](#) [CNMB/4/KIT](#)  
[CTB5050/5](#) [CTBP9358/10AO](#) [CTBP93VE/9](#) [CHH66C2GY](#) [CIM/9W-DMFS](#) [RTM5006/16-NC-BLK](#) [IND5032405-125-T/AMB](#) [CHTB4/3N](#)