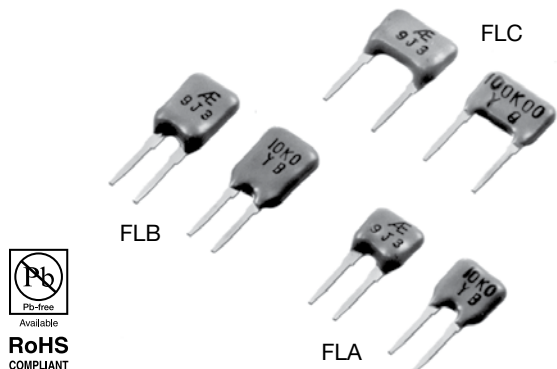


Precision Resistor (Conformally Coated)



RoHS
COMPLIANT

TCR, RESISTANCE RANGE, TOLERANCE, RATED POWER				
Type	TCR (ppm/°C) -25°C to +125°C*	Resistance Range (Ω)	Resistance Tolerance (%) [†]	Rated Power (W) at 70°C
FLA	0±5 (X) 0±2.5 (Y)	10 to 30	±0.5 (D) ±1.0 (F)	0.125
		30 to 100	±0.1 (B) ±0.5 (D)	
		100 to 100k	±0.05 (A) ±0.1 (B)	
FLB	0±5 (X) 0±2.5 (Y)	10 to 30	±0.5 (D) ±1.0 (F)	0.25
		30 to 100	±0.1 (B) ±0.5 (D)	
		100 to 150k	±0.05 (A) ±0.1 (B)	
FLC	0±5 (X) 0±2.5 (Y)	10 to 30	±0.5 (D) ±1.0 (F)	0.25
		30 to 100	±0.02 (Q) ±0.05 (A) ±0.1 (B) ±0.5 (D)	
		100 to 200k	±0.01 (T) ±0.02 (Q) ±0.05 (A) ±0.1 (B)	

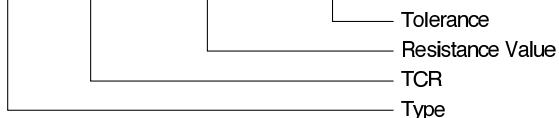
* Symbols parenthesized are for type number composition.

† Resistance figures are the values obtained by measuring at the point 2.5±1.0 mm below the shoulder of leads.

COMPOSITION OF TYPE NUMBER

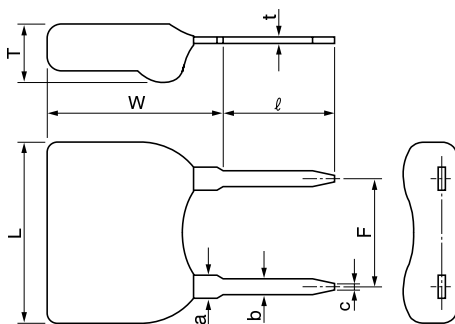
Example:

FLA X 500R00 B



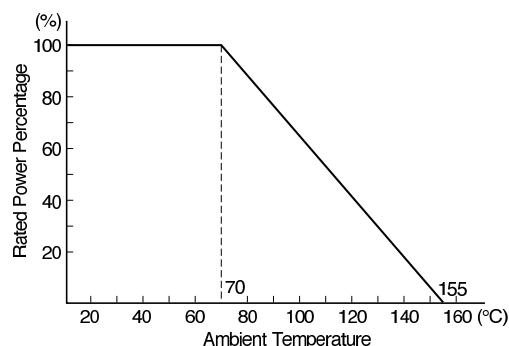
Resistance value, in ohm, is expressed by a series of six characters, five of which represent significant digits. R or K is a dual-purpose letter that designates both the value range (R for ohmic; K for kilo-ohm) and the location of decimal point.

CONFIGURATION (DIMENSIONS IN mm)

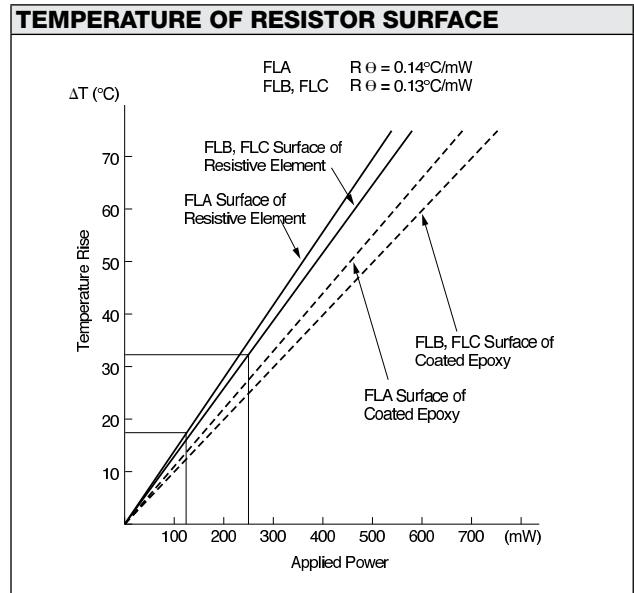
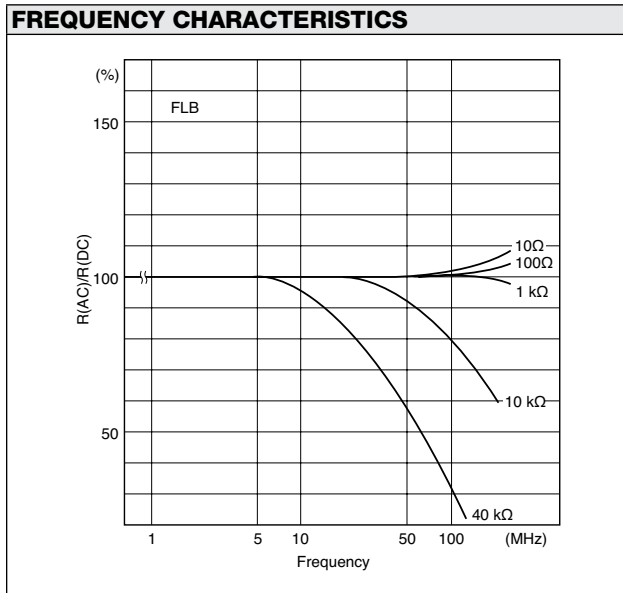


Type	FLA	FLB	FLC
L	5.6±0.5		7.5±0.5
W	6.2±0.5	8.2±0.5	6.2±0.5
T	2.2±0.5		
F	2.54±0.25		5.08±0.25
l	5±1		
t	0.3±0.05		
a	1.0±0.05		
b	0.65±0.05		
c	0.4±0.05		

POWER DERATING CURVE



PERFORMANCE			
Parameters	Test Condition	ALPHA Specification	ALPHA Typical Test Data
Maximum Rated Operating Temperature Working Temperature Range Maximum Working Voltage			70°C -25°C to +155°C FLA=250V, FLB/FLC=300V
Temperature Cycling Overload	-25°C/30 min., Room Temperature/5 min., +155°C/30 min., 5 cycles Rated Voltage x 2.5, 5 sec.	±0.05% ±0.05%	±0.01% ±0.0025%
Solderability Resistance to Solvents	235°C, 2 sec. ① Isopropyl Alcohol ② Trichloroethylene	over 75% coverage no damage	over 75% coverage no damage
Low Temperature Storage Terminal Strength	-25°C, No Load, 2 hrs. 0.908 kg (2 pounds), 10 sec.	±0.05% ±0.05%	±0.0025% ±0.0025%
Dielectric Withstanding Voltage Insulation Resistance Resistance to Soldering Heat Moisture Resistance	Atmo. Pres.: AC 300V, 1 min. DC 100V, 1 min. 350°C, 3 sec. +65°C to -10°C, 90% RH to 98% RH, Rated Voltage, 10 cycles (240 hrs.)	±0.03% over 10,000 MΩ ±0.03% ±0.1%	±0.0025% over 10,000 MΩ ±0.0025% ±0.015%
Shock Vibration	50G, 11 ms, Half-Sine Wave, X, Y, Z, each 3 shocks 20G, 10 Hz to 55 Hz to 10 Hz, 1 min., X, Y, Z, each 2 hrs.	±0.03% ±0.03%	±0.005% ±0.005%
Life (Rated Load)	70°C, Rated Power, 1.5 hr. – ON, 0.5 hr. – OFF, 1,000 hrs.	±0.1%	±0.01%
Life (Moisture Load)	40°C, 90% RH to 95% RH, Rated Power, 1.5 hr. – ON, 0.5 hr. – OFF, 1,000 hrs.	±0.05%	±0.01%
Storage Life	15°C to 35°C, 15% RH to 75% RH, No Load, 10,000 hrs.	±0.02%	±0.005%
High Temperature Exposure	155°C, No Load, 1,000 hrs.	±0.05%	±0.01%
Current Noise Pressure Cooker Test	121°C, 100% RH, 2 atmospheric, No Load, 100 hrs.	-25 dB ±0.5%	-42 dB ±0.1%



X-ON Electronics

Largest Supplier of Electrical and Electronic Components

Click to view similar products for [ALPHA manufacturer](#):

Other Similar products are found below :

[2924 GR001](#) [2934 BK001](#) [2932 GR001](#) [2918 WH001](#) [2936 VI005](#) [2936 BR005](#) [2936 BL005](#) [2932 OR005](#) [2936 BK005](#) [2936 YL005](#) [2936 WH005](#) [2918 BK005](#) [2930 RD005](#) [2926 VI005](#) [F221B3/16 BK204](#) [891265-YL001](#) [891441-GR001](#) [5691-SL005](#) [57636-SL001](#) [58144-SL001](#) [5851-OR001](#) [5852 GR005](#) [5852 YL005](#) [5853 SL001](#) [5854 OR001](#) [5856-BL001](#) [5856-BR001](#) [5856-VI001](#) [5857-SL001](#) [5857-YL001](#) [58604-SL001](#) [58642-SL001](#) [5877-SL005](#) [58803-SL001](#) [5906C-SL001](#) [5922-SL005](#) [5937-SL001](#) [5937-SL002](#) [5942-SL005](#) [5943-SL002](#) [5952-OR001](#) [6017C-SL002](#) [6053C-SL002](#) [6054C-SL002](#) [M13176-SL001](#) [M13505-SL002](#) [M1423-WH001](#) [M14477-SL001](#) [M2441-SL001](#) [M2459-SL001](#)