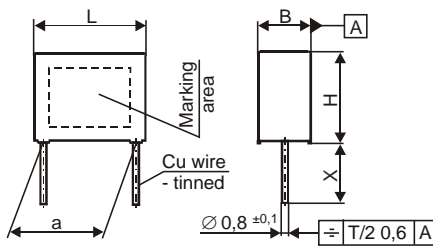
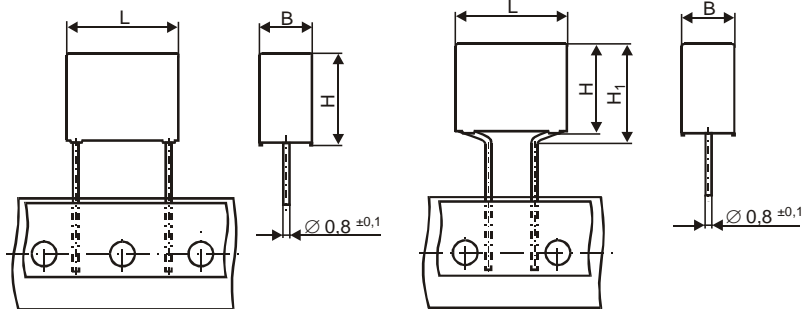


## INTERFERENCE SUPPRESSION CAPACITORS OF CLASS Y2 / 275 VAC

### WYP- version 00, 01




### Taped



Standard lead lengths  
 $X = 6^{\pm 1}$  mm for version 00  
 $X = 35^{\pm 5}$  mm for version 01

Lead spacing of 10.0 and 15.0 mm  
 – the pitch of holes on carrier tape  
 12.7 mm

Lead spacing of 10.0 and 15.0 mm  
 crimped to the lead spacing of 7.5  
 mm – the pitch of holes on carrier  
 tape 15.0 mm

Code	Rated capacitance	Capacitance tolerance	Rated voltage	Dimension					Safety approvals
				$L \pm 0,3$	$H \pm 0,3$	$H_1$ max	$B \pm 0,3$	$a \pm 0,5$	
-	$\mu\text{F}$	%	Vac	mm	mm	mm	mm	mm	EN 60384-14 275Vac
WYP-103M	0,010	$\pm 20$	275	18,0	10,5	12,5	5,5	15,0	•
WYP-153M	0,015				12,5	14,5	6,5		•
WYP-223M	0,022				13,5	15,5	7,5		•
WYP-273M	0,027				14,5	16,5	8,5		•
WYP-333M	0,033				17,0	19,0	8,5		•
WYP-473M	0,047			26,5	15,5	–	7,5	•	
WYP-683M	0,068				16,5	–	8,5	•	
WYP-104M	0,10				18,5	–	10,5	•	

Approvals in use = •

### APPLICATION

The WYP interference suppression capacitors are designed to attenuate RFI signal in all and line-ground applications for class Y2. Appropriate for use in situations where capacitor failure could cause an electric shock danger.

### CONSTRUCTION

Non-inductive metallized polypropylene winding encapsulated in self-extinguishing material meeting the requirements of UL 94 V-0.

### REQUIREMENTS

The WYP capacitors meet the requirements of EN 60384-14 standard for class Y2. This product fulfils the requirements of the RoHS Directive (2002/95/EC).

### TECHNICAL DATA

- Rated voltage – 275 Vac 50/60 Hz
- Dissipation factor –  $\leq 0,008$  at  $f = 10$  kHz
- Insulation resistance –  $\geq 30\ 000$  M $\Omega$
- Production voltage test – The 100 % screening factory test is carried out at 2700 Vdc per 2 sec. All electrical characteristics are checked after the test.
- Voltage change rate [du/dt] – 100 V/ $\mu\text{s}$
- Climatic category – 40/100/56/C
- Standard – WT-04/MIFLEX/WXP + App. No 1

 **MIFLEX S.A.**

ZAKŁADY PODZESPOŁÓW RADIOWYCH  
 99-300 KUTNO, UL. GRUNWALDZKA 3, POLAND  
 Tel.: (24) 355 11 00-02  
 Fax: (24) 355 11 88  
 E-mail: miflex@miflex.com.pl

Revision date: 06.02.2008

## X-ON Electronics

Largest Supplier of Electrical and Electronic Components

*Click to view similar products for [Film Capacitors](#) category:*

*Click to view products by [Miflex](#) manufacturer:*

Other Similar products are found below :

[F339X134748MIP2T0](#) [F450KG153J250ALH0J](#) [750-1018](#) [FKP1-1500160010P15](#) [FKP1R031007D00JYSD](#) [FKP1R031507E00JYSD](#)  
[FKP1U024707E00KYSD](#) [82DC4100CK60J](#) [82EC1100DQ50K](#) [PFR5101J100J11L16.5TA18](#) [PME261JB5220KR19T0](#) [A451GK223M040A](#)  
[A561ED221M450A](#) [QXJ2E474KTPT](#) [QXL2B333KTPT](#) [R49AN347000A1K](#) [EEC2G505HQA406](#) [B25668A6676A375](#) [B25673A4282E140](#)  
[BFC233868148](#) [BFC2370GC222](#) [C3B2AD44400B20K](#) [C4ASWBU3220A3EK](#) [CB027C0473J--](#) [CB177I0184J--](#) [CB182K0184J--](#) [23PW210](#)  
[950CQW5H-F](#) [SBDC3470AA10J](#) [SCD105K122A3-22](#) [2N3155](#) [A571EH331M450A](#) [FKP1-2202KV5P15](#) [FKS3-680040010P10](#)  
[QXL2E473KTPT](#) [445450-1](#) [B25669A3996J375](#) [46KI322000M1M](#) [46KR415050M1K](#) [4BSNBX4100ZBFJ](#) [MKP383510063JKP2T0](#)  
[MKPY2-.02230020P15](#) [MKT 1813-368-015](#) [4055292001](#) [46KN410000N1K](#) [EEC2E106HQA405](#) [EEC2G205HQA402](#) [EEC2G805HQA415](#)  
[P409CP224M250AH470](#) [82EC2150DQ50K](#)