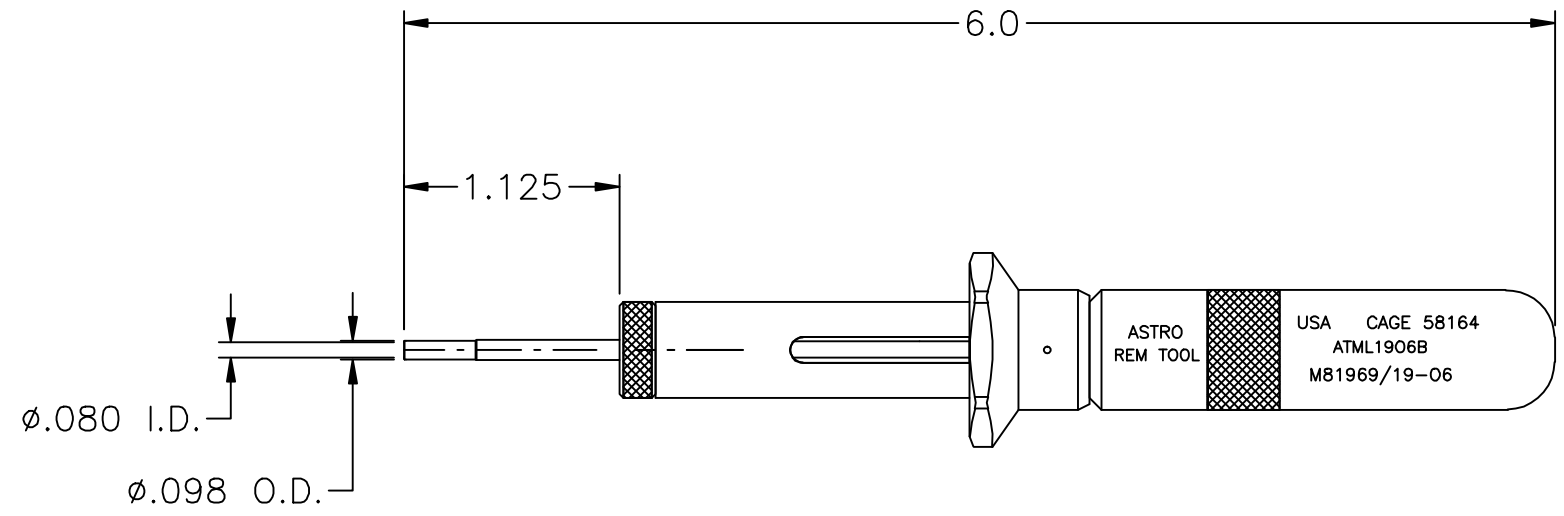



#ATML1906B-ENV



**UNCONTROLLED DOCUMENT
WILL NOT BE UPDATED**

2. COLOR CODE: RED.

NOTES: 1. THIS IS AN AUTOCAD DRAWING, DO NOT CHANGE MANUALLY.

				<p>THESE DRAWINGS, SPECIFICATIONS OR OTHER DATA ARE AND REMAIN, THE PROPERTY OF ASTRO TOOL CORP. AND MUST BE RETURNED UPON REQUEST. THEY CONTAIN INFORMATION OWNED AND/OR DEVELOPED BY ASTRO AT ITS OWN PRIVATE EXPENSE AND MAY NOT BE USED, DUPLICATED OR DISCLOSED TO OTHERS, IN WHOLE OR IN PART FOR DESIGN, MANUFACTURE OR PROCUREMENT WITHOUT THE WRITTEN PERMISSION OF ASTRO TOOL CORP. EACH AND EVERY TIME.</p>	<p>SCALE: N.T.S.</p>	<p>UNLESS OTHERWISE SPECIFIED: DECIMALS: .XXX ± .005 .XX ± .010 .X ± .030</p> <p>ANGLES: ± 1°</p>	 <p>21615 S.W. TUALATIN VALLEY HWY., BEAVERTON OR 97006</p>	CAGE 58164	
A	NEW RELEASE.	DYO	07-08-09	MMK	<p>DWN BY: DYO</p>			<p>DESCRIPTION: ENVELOPE DRAWING: ATML 1906B REMOVAL TOOL, 20 GAGE</p>	
REV.	DESCRIPTION	BY	DATE	APR.	<p>DATE: 07-08-09</p>		<p>APPROVED:</p>	PART NO.	A

X-ON Electronics

Largest Supplier of Electrical and Electronic Components

Click to view similar products for [Astro Tool](#) manufacturer:

Other Similar products are found below :

[AMT23009L](#) [AMT23163L](#) [AMT23B](#) [ATBX 1-8107-20](#) [M22520/2-09](#) [M81969/8-08](#) [AT 2020](#) [ATML 1704B](#) [ATA 1086](#) [M22520/5-01](#)
[615717](#) [M81969/8-02 RV.B](#) [M81969/8-06 RV.B](#) [ATA 1101](#) [AT 2016](#) [M22520/3-1](#) [MS24256-R16](#) [ATC 2426](#) [ATML 1901B](#) [M22520/7-01](#)
[M22520/1-04](#) [615708](#) [M22520/2-10](#) [M22520/2-07](#) [M81969/19-06 RV.B](#) [ATML 1906B](#) [M22520/2-01](#) [ATML 1703B](#) [M22520/2-08](#)