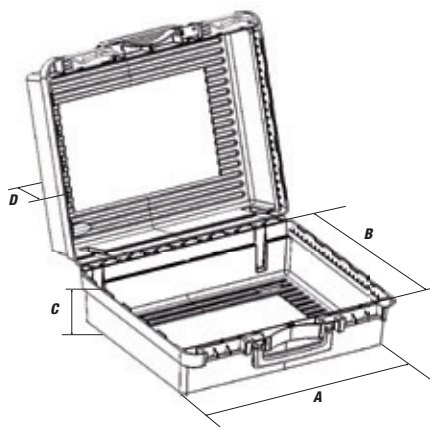


# PROCASE SERIES

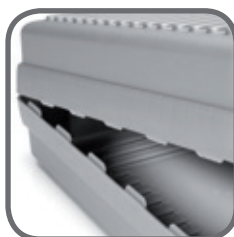


- Solide/compatte
- Doppia maniglia quindi superiore tenuta
- Maniglie basculanti salva spazio
- Cerniera in metallo
- Serrature professionali
- L'interno squadrato della valigia permette di ottimizzare le personalizzazioni
- Predisposizione lucchetto
- Materiale: polipropilene

- Durable
- Two handles for greater carrying capacity
- Space saving foldaway handle
- Metal hinges
- Secure clips
- The squared shape inside allows the inside to be easily customized
- Designed for a lock to be used on it
- Material: polypropylene



Spugne bugnate (GPB)  
Convulsed foams (GPB)



\*= mm.  
( )= inch.

Dimensioni interne Internal dimensions	A	B	C	D	Colori disponibili Colours available	Colori accessori Clip/handle colours
<b>Art. 170/34H96</b>	324* (12.76)	251* (9.88)	43.5* (1.71)	43.5* (1.71)	■	■
<b>Art. 170/34H128</b>	320* (12.60)	247* (9.72)	75* (2.95)	43.5* (1.71)	■	■
<b>Art. 170/34H160</b>	320* (12.60)	247* (9.72)	75* (2.95)	75* (2.95)	■	■
<b>Art. 170/43H122</b>	406* (15.98)	290* (11.42)	55* (2.16)	55* (2.16)	■	■
<b>Art. 170/43H156</b>	402* (15.83)	287* (11.30)	89.5* (3.52)	55* (2.16)	■	■
<b>Art. 170/43H190</b>	402* (15.83)	287* (11.30)	89.5* (3.52)	89.5* (3.52)	■	■
<b>Art. 170/48H132</b>	460* (18.11)	325* (12.79)	60* (2.36)	60* (2.36)	■ ■	■
<b>Art. 170/48H160</b>	460* (18.11)	325* (12.79)	85* (3.35)	60* (2.36)	■ ■	■
<b>Art. 170/48H184</b>	460* (18.11)	325* (12.79)	85* (3.35)	85* (3.35)	■ ■	■
<b>Art. 170/60H144</b>	575* (22.64)	355* (13.98)	66* (2.60)	66* (2.60)	■	■
<b>Art. 170/60H184</b>	575* (22.64)	355* (13.98)	106* (4.17)	66* (2.60)	■	■
<b>Art. 170/60H224</b>	575* (22.64)	355* (13.98)	106* (4.17)	106* (4.17)	■	■
<b>Art. 170/48H184F</b>	460* (18.11)	325* (12.79)	85* (3.35)	45* (1.77)	■	■
<b>Art. 170/48H184PU</b>	460* (18.11)	325* (12.79)	85* (3.35)	85* (3.35)	■ ■	■

## X-ON Electronics

Largest Supplier of Electrical and Electronic Components

*Click to view similar products for [Duratool](#) manufacturer:*

Other Similar products are found below :

[DTRRLCBSR-6-01](#) [21-7301](#) [D00781](#) [D01429](#) [D01439](#) [D01444](#) [D01987](#) [D01992](#) [D02292](#) [D02358](#) [PFL6001](#) [D00281](#) [D00345](#) [D00358](#)  
[D00642](#) [D00807](#) [HT-214D](#) [D01986](#) [PDR4001](#) [79-3991](#) [79-3989](#) [79-3971](#) [MC23780](#) [MC000004](#) [24-8463](#) [DTRNSE 1207 M2.5 12](#)  
[DTRHTSA-M6-30-1](#) [DTRFAHSSBFM4-15-7](#) [DTRDLMSPM-12-01](#) [NC01080081FA](#) [DTRPGSB-4A](#) [DTRNSE 1207 M6 10](#) [DTRNNE 1587](#)  
[M4](#) [DTRFF-005P4X5](#) [DM2.5-FASTWAZ100DIN125](#) [M516 KRSTMCZ100-](#) [M420 KRSTMCZ100-](#) [79-3960](#) [79-3982](#) [PCL8010/B](#)  
[DTRNNE 34814 M2](#) [DTRMSPM-3-01](#) [DTRLCBSBM-4-01A2-RT](#) [DTRHTSA-M6-20-2](#) [DTRDLCBSM-4-01](#) [59-020-042](#) [ROD10](#)  
[MAX430S.079](#) [101ETN](#) [DT000021](#)