



# IWPTL Series

## Low Range Industrial Wireless Pressure Transducer



- Pressure ranges from 0-50mbar to 0-1000mbar gauge
- Up to 750m line-of-site range (depending on receiver)
- Piezo-resistive stainless steel sensor with stainless steel body
- Five year battery life at 10 second transmission update rate
- Simple DIL switch pairing with the single or five channel receiver
- Single or five channel receivers available
- User-selectable transmission update rates
- User-selectable 1-5V or 4-20mA receiver outputs
- Receiver clean contacts provide process alarm functions

### DESCRIPTION

The IWPTL Wireless Pressure Transducer is a cost effective replacement to a traditionally wired pressure transducer that offers the advantages of a low-cost installation in inaccessible and expensive installation environments.

It is easily paired to the compatible IWR family of single- or five-channel wireless receivers thus offering a “plug and play” solution to your pressure measurement applications.

The instrument uses a piezo-resistive silicon sensor mounted within a stainless steel housing giving excellent media compatibility for the harshest of applications. A swivel adaptor is available which allows the head to be easily aligned to the IWR receiver - see IWPT-SA

A line-of-sight range of up to 750m is possible depending on the wireless receiver used (refer to datasheets IWR-1 & IWR-5 for further information).

Each device is temperature compensated, calibrated and supplied with a traceable serial number and calibration certificate.

### TYPICAL APPLICATIONS INCLUDE:-

- **Simple cable replacement installation** – dispense with expensive cable runs
- **Environmental monitoring** – rainwater harvesting, environmental engineering
- **Facilities management** – boiler rooms, laboratory testing, tank gauging
- **Asset monitoring** – tank farms, process plants, HVAC and building management
- **Service Contract** – temporary installation for servicing and field trials

### Pressure Ranges and Passive mV/V Outputs

Nominal Pressure, Gauge, mbar	50	100	250	500	750	1000
Nominal Pressure, Absolute mbar				500	750	1000
Permissible Overpressure mbar	2 bar	2 bar	2 bar	5 bar	5 bar	5 bar

### Transmitter Output

Transmission Frequency*	2.4 Ghz
Transmit Power	18 dBm
System Channel	User selectable via DIL switch
Antenna	Integral OdBi

\*Compliant with EN 300 328, V1.8.1

Cynergy3 Components Ltd.  
Ferndown Industrial Estate  
7 Cobham Road  
Wimborne, Dorset BH21 7PE  
Telephone +44 (0) 1202 897969  
Email:sales@cynergy3.com

### System Performance

Accuracy (Non-Linearity & Hysteresis)	<±0.25% / FS (BFSL)
Setting Errors (offsets)	Zero & Full Scale, <±0.5% / FS

### Instrument Power Source

Battery Type	User replaceable Lithium C cell
Battery Life	Five years at 10 second update rate
Battery Shelf Life	10 years

ISO9001 CERTIFIED

IWPTL 2016

www.cynergy3.com



# IWPTL Series

## Low Range Industrial Wireless Pressure Transducer

### Material Specifications

Pressure Housing	303 Stainless Steel
"O" ring seals	Viton
Diaphragm	316 stainless steel
Wireless Enclosure Material	Plastic
Weight	310g including battery
**Installation position	Any

\*\* Consult installation manual to ensure adequate signal path between transmitter and receiver

### Temperatures & Thermal Effects

Media Temperature	-20°C to +135°C
Ambient Temperature	-20°C to +80°C
Storage Temperature	-20°C to +80°C
Thermal Zero Shift	<±0.04% /FS/°C
Thermal Span Shift	<±0.02% /°C typical

### Receiver Output Signals

Outputs	1-5V or 4-20mA per channel
Single Channel Receiver	IWR-1 (see data sheet)
Five Channel receiver	IWR-5 (see data sheet)
Alarm Output	5 Amp rated changeover contacts
Transmission Update Rate***	1, 5, 10, and 30 seconds

\*\*\* Consult installation manual for set-up:  
 - single channel system is DIL switch configurable  
 - five channel system requires set-up using "IWR Set" user software\*

### Mechanical Stability

See user manual

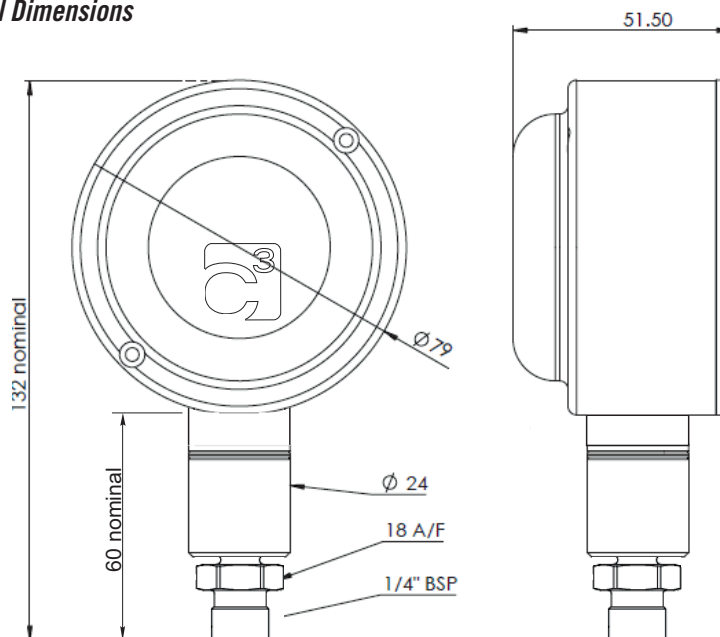
### Ordering Codes:-

Pressure Transducer	See table below
Spare battery	IBAT-1
Single Channel Receiver	IWR-1
Five Channel Receiver	IWR-5
Five Channel Configuration Software*	IWR-Set
Swivel Adaptor	IWPT-SA

\*Download user configuration software here: - [www.cynergy3.com/????????](http://www.cynergy3.com/????????)

Part Number	Pressure Rating	Receiver Output
IWPTL-G0050-00	0 - 50mbar G	1-5Vdc or 4-20mA
IWPTL-G0100-00	0 - 100mbar G	1-5Vdc or 4-20mA
IWPTL-G0250-00	0 - 250mbar G	1-5Vdc or 4-20mA
IWPTL-G0500-00	0 - 500mbar G	1-5Vdc or 4-20mA
IWPTL-G0750-00	0 - 750mbar G	1-5Vdc or 4-20mA
IWPTL-G1000-00	0 - 1000mbar G	1-5Vdc or 4-20mA
IWPTL-A0500-00	0 - 500mbar Abs	1-5Vdc or 4-20mA
IWPTL-A0750-00	0 - 750mbar Abs	1-5Vdc or 4-20mA
IWPTL-A1000-00	0 - 1000mbar Abs	1-5Vdc or 4-20mA

### Mechanical Dimensions



Cynergy3 Components Ltd.  
 7 Cobham Road  
 Ferndown Industrial Estate  
 Wimborne, Dorset BH21 7PE  
 Telephone +44 (0) 1202 897969  
 Email:sales@cynergy3.com

ISO9001 CERTIFIED

# X-ON Electronics

Largest Supplier of Electrical and Electronic Components

*Click to view similar products for [Industrial Pressure Sensors](#) category:*

*Click to view products by [Cynergy3](#) manufacturer:*

Other Similar products are found below :

[76053-00000400-01](#) [M83723/72R2041N L/C](#) [M83723/76R2219N](#) [D38999/20ME6BN](#) [75380-05](#) [76053-00000300-01](#) [76053-00000300-05](#) [76061-00000015-01](#) [76062-B00000350-01](#) [76063-00000350-05](#) [76083-05000500-01](#) [76311-05](#) [76577-00000070-01](#) [76584-M00000100-24](#) [77050-04000400-01](#) [77343-24.0H2-01](#) [77343-25.0H2-01](#) [78291-B00000060-01](#) [78303-B00000400-01](#) [78303-B00000400-05](#) [78316-B00000030-01](#) [78665-00000014-05](#) [78678-00000040-01](#) [78928-00000040-01](#) [79279-00000060-01](#) [79296-B00000350-01](#) [79322-00250035-01](#) [79614-30.0H2-14](#) [79670-00000090-15](#) [79700-00002750-01](#) [79917-B00000280-01](#) [80569-00700100-01](#) [81509081](#) [MLH010BST01A](#) [MLH010BST14A](#) [MLH025BGC13B](#) [MLH025BSCDJ1292](#) [MLH025BSCDJ1303](#) [MLH750PSCDJ1245](#) [83250-02500600-05](#) [83271-00000040-04](#) [83276-B00000250-05](#) [83278-B00000200-21](#) [83282-00000100-05](#) [83286-00000150-01](#) [83298-00000120-01](#) [83299-00000150-05](#) [83303-00000600-01](#) [83305-00001350-01](#) [83330-00000100-01](#)