

IPSAT Series

Intrinsically Safe Pressure Transducer



Approvals:-
ATEX / IECEx
II 1G Ex ia IIC T4 Ga (Ta -see schedule)



- Piezo-resistive thick film ceramic sensor
- Stainless steel body
- Accuracy $<\pm 0.25\%$ FS BFSL
- Pressure ranges from -1 to 400 bar

The IPSAT series is ideally suited for use in a wide range of industrial applications in hazardous areas. The probe uses a piezo-resistive ceramic sensor, giving excellent media compatibility within a stainless steel housing

The electronics incorporate a microprocessor based amplifier, requiring no adjusting and giving stable electronics, especially industrial applications.

Each device is temperature compensated, calibrated and supplied with a traceable serial number and calibration data.



Electrical Protection		Performance	
Supply reverse polarity	No damage but also no function	Accuracy (Non-Linearity & Hysteresis)	$<\pm 0.25\%$ / FS (BFSL)
Electromagnetic compatibility	CE Compliant	Setting Errors (offsets)	Zero & Full Scale, $<\pm 0.5\%$ / FS
Mechanical Stability		Material Specifications	
Shock	100g / 11s	Housing	316 Stainless Steel
Vibration	10g RMS (20 - 2000Hz)	"O" ring seals	Viton
Environment & Thermal Effects		Diaphragm	Ceramic Al ₂ O ₃ 96%
Ambient Temperature Range	-20°C to +75°C	Media wetted parts	Housing & connection, "O" ring seal, diaphragm
Storage temperature	-20°C to +80°C	Weight	Approx 100g
Compensated temperature range	+20°C to +80°C	Installation position	Any
Thermal Zero Shift (TZS)	$<\pm 0.04\%$ /FS/°C	Operational Life	$> 100 \times 10^6$ cycles
Thermal Span Shift	$<\pm 0.015\%$ /°C	Insulation resistance	$> 50\text{M}\Omega$ at 50Vdc
Permissible environment	Zone 0		

Pressure Ranges										
Nominal Pressure, Gauge,	bar	1	2	5	10	20	50	100	250	400
Compound range	bar	-1 to 0	-1 to 2	-1 to 5	-1 to 9	-1 to 19	-1 to 24			
Permissible Overpressure	bar	2	4	10	20	40	100	200	400	650
Burst Pressure	bar	4	5	12	25	50	120	250	500	650

Output Signal and Supply Voltage					
Wire system	Output	Supply Voltage	Connection	Pin Nos	
2-wire	4-20mA	10-28Vdc	+ve Supply	Pin 1	-ve Supply Pin 2 Ground Earth Pin

Cynergy3 Components Ltd.
7 Cobham Road
Ferndown Industrial Estate
Wimborne, Dorset BH21 7PE
Telephone +44 (0) 1202 897969
Email:sales@cynergy3.com



Made in the UK

ISO9001 CERTIFIED
IPSAT 2017

www.cynergy3.com

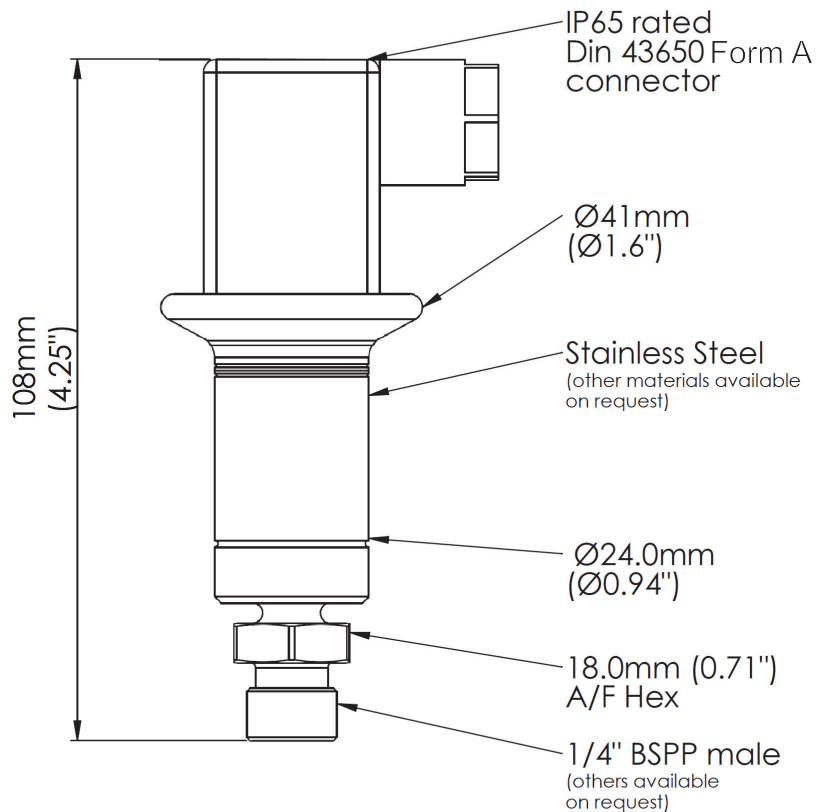
IPSAT Series

Intrinsically Safe Pressure Transducer



Part Number	Pressure Rating
IPSAT-G1000-5	0 - 1 Bar G
IPSAT-G6000-5	0 - 6 Bar G
IPSAT-GM1P9-5	-1 to +9 Bar G
IPSAT-G1002-5	0 - 10 Bar G
IPSAT-G1602-5	0 - 16 bar G
IPSAT-C0184-5	-1 to +24 Bar G
IPSAT-G2502-5	0 - 25 Bar G
IPSAT-G4002-5	0 - 40 Bar G
IPSAT-G1003-5	0 - 100 Bar G
IPSAT-G2503-5	0 - 250 Bar G
IPSAT-G4003-5	0 - 400 Bar G

Mechanical Dimensions



Cynergy3 Components Ltd.
 7 Cobham Road
 Ferndown Industrial Estate
 Wimborne, Dorset BH21 7PE
 Telephone +44 (0) 1202 897969

Email: sales@cynergy3.com

ISO9001 CERTIFIED



www.cynergy3.com

X-ON Electronics

Largest Supplier of Electrical and Electronic Components

Click to view similar products for [Industrial Pressure Sensors](#) category:

Click to view products by [Cynergy3](#) manufacturer:

Other Similar products are found below :

[76053-00000400-01](#) [M83723/72R2041N L/C](#) [M83723/76R2219N](#) [D38999/20ME6BN](#) [75380-05](#) [76053-00000300-01](#) [76053-00000300-05](#) [76061-00000015-01](#) [76062-B00000350-01](#) [76063-00000350-05](#) [76083-05000500-01](#) [76311-05](#) [76577-00000070-01](#) [76584-M00000100-24](#) [77050-04000400-01](#) [77343-24.0H2-01](#) [77343-25.0H2-01](#) [78291-B00000060-01](#) [78303-B00000400-01](#) [78303-B00000400-05](#) [78316-B00000030-01](#) [78665-00000014-05](#) [78678-00000040-01](#) [78928-00000040-01](#) [79279-00000060-01](#) [79296-B00000350-01](#) [79322-00250035-01](#) [79614-30.0H2-14](#) [79670-00000090-15](#) [79700-00002750-01](#) [79917-B00000280-01](#) [80569-00700100-01](#) [81509081](#) [MLH010BST01A](#) [MLH010BST14A](#) [MLH025BGC13B](#) [MLH025BSCDJ1292](#) [MLH025BSCDJ1303](#) [MLH750PSCDJ1245](#) [83250-02500600-05](#) [83271-00000040-04](#) [83276-B00000250-05](#) [83278-B00000200-21](#) [83282-00000100-05](#) [83286-00000150-01](#) [83298-00000120-01](#) [83299-00000150-05](#) [83303-00000600-01](#) [83305-00001350-01](#) [83330-00000100-01](#)