

IWPT Series

Industrial Wireless Pressure Transducer



- **Pressure ranges from -1 to +400 bar gauge**
- **Up to 750m line-of-site range (depending on receiver)**
- **Piezo-resistive thick film ceramic sensor with stainless steel body**
- **Five year battery life at 10 second transmission update rate**
- **Simple DIL switch pairing with the single or five channel receiver**
- **Single or five channel receivers available**
- **User-selectable transmission update rates**
- **User-selectable 1-5V or 4-20mA receiver outputs**
- **Receiver clean contacts provide process alarm functions**

DESCRIPTION

The IWPT Wireless Pressure Transducer is a cost effective replacement to a traditionally wired pressure transducer that offers the advantages of a low-cost installation in inaccessible and expensive installation environments.

TYPICAL APPLICATIONS INCLUDE:-

- **Simple cable replacement installation** – dispense with expensive cable runs
- **Environmental monitoring** – pumping stations, sewage plants, water treatment
- **Facilities management** – boiler rooms, plant hydraulics, plant pneumatics
- **Asset monitoring** – tanks farms, process plants, HVAC and building management
- **Service Contract** – temporary installation for servicing and field trials

It is easily paired to the compatible IWR family of single- or five-channel wireless receivers thus offering a “plug and play” solution to your pressure measurement applications.

The instrument uses a piezo-resistive ceramic sensor mounted within a stainless steel housing giving excellent media compatibility for the harshest of applications. A swivel adaptor is available which allows the head to be easily aligned to the IWR receiver - see IWPT-SA

A line-of-sight range of up to 750m is possible depending on the wireless receiver used (refer to datasheets IWR-1 & IWR-5 for further information).

Each device is temperature compensated, calibrated and supplied with a traceable serial number and calibration certificate.

Transmitter Pressure Ranges

Nominal Pressure, Gauge,	bar	1	2	5	10	20	50	100	250	400
Compound range, Gauge	bar	-1 to 0	-1 to 2	-1 to 5	-1 to 9	-1 to 19	-1 to 24			
Permissible Overpressure	bar	2	4	10	20	40	100	200	400	650
Burst Pressure	bar	4	5	12	25	50	120	250	500	650

Transmitter Output

*Transmission Frequency	2.4 Ghz
Transmit Power	18 dBm
System Channel	User selectable via DIL switch
Antenna	Integral OdBi

*Compliant with EN 300 328, V1.8.1

Cynergy3 Components Ltd.
 Ferndown Industrial Estate
 7 Cobham Road
 Wimborne, Dorset BH21 7PE
 Telephone +44 (0) 1202 897969
 Email:sales@cynergy3.com

System Performance

Accuracy (Non-Linearity & Hysteresis)	<±0.25% / FS (BFSL)
Setting Errors (offsets)	Zero & Full Scale, <±0.5% / FS

Instrument Power Source

Battery Type	User replaceable Lithium C cell
Battery Life	Five years at 10 second update rate
Battery Shelf Life	10 years

ISO9001 CERTIFIED

IWPT 2016

www.cynergy3.com



IWPT Series

Industrial Wireless Pressure Transducer

Material Specifications

Pressure Housing	303 Stainless Steel
"O" ring seals	Viton
Diaphragm	Ceramic Al ₂ O ₃ 96%
Wireless Enclosure Material	Plastic
Weight	310g including battery
**Installation position	Any

** Consult installation manual to ensure adequate signal path between transmitter and receiver

Temperatures & Thermal Effects

Media Temperature	-20°C to +135°C
Ambient Temperature	-20°C to +80°C
Storage Temperature	-20°C to +80°C
Thermal Zero Shift	<±0.04% /FS/°C
Thermal Span Shift	<±0.02% /°C typical

Receiver Output Signals

Outputs	1-5V or 4-20mA per channel
Single Channel Receiver	IWR-1 (see data sheet)
Five Channel receiver	IWR-5 (see data sheet)
Alarm Output	5 Amp rated changeover contacts
***Transmission Update Rate	1, 5, 10 and 30 seconds

*** Consult installation manual for set-up:
 - single channel system is DIL switch configurable
 - five channel system requires set-up using "IWR Set" user software

Mechanical Stability

See user manual

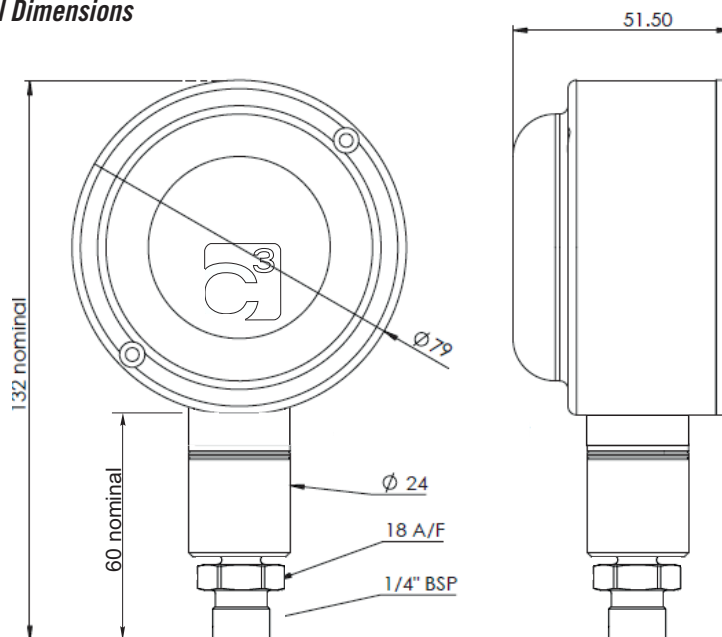
Ordering Codes:-

Pressure Transducer	See table below
Spare battery	IBAT-1
Single Channel Receiver	IWR-1
Five Channel Receiver	IWR-5
Five Channel Configuration Software	IWR-Set (free download*)
Swivel Adaptor	IWPT-SA

*Download user configuration software here: - www.cynergy3.com/????????

Part Number	Pressure Rating	Receiver Output
IWPT-G1000-00	0 - 1 Bar G	1-5Vdc or 4-20mA
IWPT-G6000-00	0 - 6 Bar G	1-5Vdc or 4-20mA
IWPT-GM1P9-00	-1 to +9 Bar G	1-5Vdc or 4-20mA
IWPT-G1002-00	0 - 10 Bar G	1-5Vdc or 4-20mA
IWPT-G1602-00	0 - 16 Bar G	1-5Vdc or 4-20mA
IWPT-C0184-00	-1 to +24 Bar G	1-5Vdc or 4-20mA
IWPT-G2502-00	0 - 25 Bar G	1-5Vdc or 4-20mA
IWPT-G4002-00	0 - 40 Bar G	1-5Vdc or 4-20mA
IWPT-G1003-00	0 - 100 Bar G	1-5Vdc or 4-20mA
IWPT-G2503-00	0 - 250 Bar G	1-5Vdc or 4-20mA
IWPT-G4003-00	0 - 400 Bar G	1-5Vdc or 4-20mA

Mechanical Dimensions



Cynergy3 Components Ltd.
 7 Cobham Road
 Ferndown Industrial Estate
 Wimborne, Dorset BH21 7PE
 Telephone +44 (0) 1202 897969
 Email:sales@cynergy3.com

ISO9001 CERTIFIED

X-ON Electronics

Largest Supplier of Electrical and Electronic Components

Click to view similar products for [Industrial Pressure Sensors](#) category:

Click to view products by [Cynergy3](#) manufacturer:

Other Similar products are found below :

[76053-00000400-01](#) [M83723/72R2041N L/C](#) [M83723/76R2219N](#) [D38999/20ME6BN](#) [75380-05](#) [76053-00000300-01](#) [76053-00000300-05](#) [76061-00000015-01](#) [76062-B00000350-01](#) [76063-00000350-05](#) [76083-05000500-01](#) [76311-05](#) [76577-00000070-01](#) [76584-M00000100-24](#) [77050-04000400-01](#) [77343-24.0H2-01](#) [77343-25.0H2-01](#) [78291-B00000060-01](#) [78303-B00000400-01](#) [78303-B00000400-05](#) [78316-B00000030-01](#) [78665-00000014-05](#) [78678-00000040-01](#) [78928-00000040-01](#) [79279-00000060-01](#) [79296-B00000350-01](#) [79322-00250035-01](#) [79614-30.0H2-14](#) [79670-00000090-15](#) [79700-00002750-01](#) [79917-B00000280-01](#) [80569-00700100-01](#) [81509081](#) [MLH010BST01A](#) [MLH010BST14A](#) [MLH025BGC13B](#) [MLH025BSCDJ1292](#) [MLH025BSCDJ1303](#) [MLH750PSCDJ1245](#) [83250-02500600-05](#) [83271-00000040-04](#) [83276-B00000250-05](#) [83278-B00000200-21](#) [83282-00000100-05](#) [83286-00000150-01](#) [83298-00000120-01](#) [83299-00000150-05](#) [83303-00000600-01](#) [83305-00001350-01](#) [83330-00000100-01](#)