

Ref: ATO-XXX-B225-D10

$I_{Pr} = 10, 15, 16, 20, 30, 32, 50, 60, 63, 75 \text{ A}$

ATO series is a split core current transformer for the electronic measurement of AC waveform current with galvanic separation between the primary circuit (power) and the secondary circuit (measurement).

ATO series is an ideal current transformer for new Smart-Grid applications, in which ratio error and phase displacement are fully tested with IEC 61869 standards accordance.

**Accuracy Class 1**

	A	B	C	D	E	Ø
mm	45.5	15.8	33.5	24	32	10

**Features**

- Split-core current transformer
- Rated primary current: 10 A - 15 A - 16 A - 20 A - 30 A - 32 A - 50 A - 60 A - 63 A - 75 A
- Application up to 600 V CAT III PD2, basic insulation
- Accuracy class 1 (IEC 61869-2)
- Voltage output, 225 mV at  $I_{Pr}$
- ø 10 mm sensing aperture
- 1 m output cable
- Ambient temperature -10 °C ... +55 °C
- Very low cost solution
- Slot for attaching the C.T. on the primary with plastic tie
- DIN rail adapter (optional).

**Advantages**

- No interruption of electricity during installation on insulated conductors
- Quick, non-intrusive and easy setup
- Provide a calibrate output.

**Applications**

- Hybrid inverter (Home Energy Storage)
- Power metering: current measurement for active power calculation
- Building sub-metering: energy efficiency monitoring, consumption analysis and cost allocation
- Power quality monitoring: electrical loads and distribution system equipment
- Distributed measurement systems
- Condition monitoring (e.g. Motor loads such as conveyers, pumps).

**Standards**

- IEC 61010-1: 2010
- IEC 61010-031 ed1.1: 2012
- IEC 61869-1 ed1.0: 2007
- IEC 61869-2: ed1.0: 2012
- IEC 61869-6: draft 2016
- IEC 61869-10: draft 2016
- UL 508: 2013.

### Absolute maximum ratings

Parameter	Symbol	Unit	Value
Primary conductor temperature	$T_B$	°C	100

Stresses above these ratings may cause permanent damage.  
Exposure to absolute maximum ratings for extended periods may degrade reliability.

### UL 508: Ratings and assumptions of certification

File # E189713 Volume: 2 Section: 8

#### Standards

- CSA C22.2 NO. 14-10 INDUSTRIAL CONTROL EQUIPMENT - Edition 11 - Revision Date 2011/08/01
  - UL 508 STANDARD FOR INDUSTRIAL CONTROL EQUIPMENT - Edition 17 - Revision Date 2013/10/16
- For use only in complete equipment where the acceptability of the combination is determined by UL.LLC.

#### Ratings

Parameter	Symbol	Unit	Value
Primary involved potential		V AC/DC	1000
Max surrounding air temperature	$T_A$	°C	70
Primary current	$I_P$	A	125

#### Conditions of acceptability

*When installed in the end-use equipment, consideration shall be given to the following:*

- *These devices must be mounted in a suitable end-use enclosure.*
- *The terminals have not been evaluated for field wiring*
- *The products shall be used in a pollution degree 2*
- *Based on results of temperature test, in the end-use application a maximum of 100 °C can not be exceeded on the primary conductor.*

#### Marking

*Only those products bearing the UL or UR Mark should be considered to be Listed or Recognized and covered under UL's Follow-Up Service. Always look for the Mark on the product.*

### Insulation coordination

Parameter	Symbol	Unit	Value	Comment
Rms voltage for AC insulation test, 50 Hz, 1 min	$U_d$	kV	4.3	Between primary (completely filling the hole) and secondary
Impulse withstand voltage 1.2/50 $\mu$ s	$\hat{U}_w$	kV	7.8	
Partial discharge extinction rms voltage @ 10 pC	$U_e$	kV	1.8	
Clearance (pri. - sec.)	$d_{Cl}$	mm	8	Shortest distance through air
Creepage distance (pri. - sec.)	$d_{Cp}$	mm	8	Shortest path along device body
Case material flammability	-	--	V0	According to UL 94
Application example	-		600 V CAT III PD2	Reinforced insulation according to EN 50178
Application example	-		300 V CAT III PD2	Reinforced insulation according to EN 61010-1
Application example	-		600 V CAT IV PD2	Basic insulation according to EN 61010-1
Application example	-		1000 V CAT III PD2	Basic insulation according to EN 61010-1
Application example	-			According to UL 508

### Environmental and mechanical characteristics

Parameter	Symbol	Unit	Min	Typ	Max	Comment
Ambient operating temperature	$T_A$	°C	-10	25	55	
Ambient storage temperature	$T_S$	°C	-30		90	
Relative humidity (non-condensing)	$RH$	%	0		85	
Altitude above sea level		m			2000	
Surrounding temperature according to UL		°C			70	
Mass	$m$	g		81		

**Electrical data ATO-10-B225-D10**

 At  $T_A = 25\text{ °C}$ ,  $R_{br} = 100\text{ k}\Omega$ , unless otherwise noted.

Parameter	Symbol	Unit	Min	Value	Max	Comment
Rated burden	$R_{br}$	k $\Omega$	100			
Rated primary current	$I_{Pr}$	A		10		
Rated extended primary current	$I_{ePr}$	A		12		120 % of $I_{Pr}$
Rated short-time thermal current	$I_{th}$	kA			0.6	<sup>1)</sup> at 50 Hz; 60 x $I_{Pr}$ (1 s)
Rated dynamic current	$I_{dyn}$	kA			1.5	at 50 Hz; 2.5 x $I_{th}$
Rated transformation ratio	$k_{ra}$	A/V		44.44		
Rated secondary voltage	$U_{Sr}$	mV		225		
Rated frequency	$f_r$	Hz		50/60		

Parameter	Symbol	Unit	Min	Typ	Max	Comment
Frequency bandwidth (-3 dB)	$BW$	kHz	1.5			<sup>2)</sup> Short circuit condition (no load).
Phase displacement	$\Delta\varphi$	°	-1		1	<sup>3)</sup> (-10 °C ... 55 °C) Detail page 14
Temperature coefficient of $I_{out}$	$TCI_{out}$	ppm/k			80	
Ratio error	$\varepsilon$	%	-1		1	<sup>3)</sup> (-10 °C ... 55 °C) Detail page 14
Linearity error	$\varepsilon_L$	%	-0.1		0.1	
Influence of external conductor	$\varepsilon_{ext}$	%		0.3		

- Notes:**
- <sup>1)</sup> No test conducted given that is the worst case (load = 100 k $\Omega$  i.e short circuit on the output) the peak dissipated power remains low.
  - <sup>2)</sup> Frequency bandwidth and phase shift modeling schematic can be provided on request.
  - <sup>3)</sup> Considering a primary conductor of at least  $\varnothing 9\text{ mm}$  perpendicular to the current transformer. All our **LEMcity** transducers class I are tested at 5 %, 20 % 100 % and 120 % of  $I_{Pr}$  to be according to IEC61869-2 table 201.

**Electrical data ATO-15-B225-D10**

 At  $T_A = 25\text{ °C}$ ,  $R_{br} = 100\text{ k}\Omega$ , unless otherwise noted.

Parameter	Symbol	Unit	Min	Value	Max	Comment
Rated burden	$R_{br}$	k $\Omega$	100			
Rated primary current	$I_{Pr}$	A		15		
Rated extended primary current	$I_{ePr}$	A		18		120 % of $I_{Pr}$
Rated short-time thermal current	$I_{th}$	kA			0.9	<sup>1)</sup> at 50 Hz; 60 x $I_{Pr}$ (1 s)
Rated dynamic current	$I_{dyn}$	kA			2.25	at 50 Hz; 2.5 x $I_{th}$
Rated transformation ratio	$k_{ra}$	A/V		66.67		
Rated secondary voltage	$U_{Sr}$	mV		225		
Rated frequency	$f_r$	Hz		50/60		

Parameter	Symbol	Unit	Min	Typ	Max	Comment
Frequency bandwidth (-3 dB)	$BW$	kHz	1.5			<sup>2)</sup> Short circuit condition (no load).
Phase displacement	$\Delta\varphi$	°	-1		1	<sup>3)</sup> (-10 °C ... 55 °C) Detail page 14
Temperature coefficient of $I_{out}$	$TCI_{out}$	ppm/k			80	
Ratio error	$\varepsilon$	%	-1		1	<sup>3)</sup> (-10 °C ... 55 °C) Detail page 14
Linearity error	$\varepsilon_L$	%	-0.1		0.1	
Influence of external conductor	$\varepsilon_{ext}$	%		0.3		

- Notes:**
- <sup>1)</sup> No test conducted given that is the worst case (load = 100 k $\Omega$  i.e short circuit on the output) the peak dissipated power remains low.
  - <sup>2)</sup> Frequency bandwidth and phase shift modeling schematic can be provided on request.
  - <sup>3)</sup> Considering a primary conductor of at least  $\varnothing 9\text{ mm}$  perpendicular to the current transformer. All our **LEMcity** transducers class I are tested at 5 %, 20 % 100 % and 120 % of  $I_{Pr}$  to be according to IEC61869-2 table 201.

**Electrical data ATO-16-B225-D10**

 At  $T_A = 25\text{ °C}$ ,  $R_{br} = 100\text{ k}\Omega$ , unless otherwise noted.

Parameter	Symbol	Unit	Min	Value	Max	Comment
Rated burden	$R_{br}$	k $\Omega$	100			
Rated primary current	$I_{Pr}$	A		16		
Rated extended primary current	$I_{ePr}$	A		19.2		120 % of $I_{Pr}$
Rated short-time thermal current	$I_{th}$	kA			0.96	<sup>1)</sup> at 50 Hz; 60 x $I_{Pr}$ (1 s)
Rated dynamic current	$I_{dyn}$	kA			2.4	at 50 Hz; 2.5 x $I_{th}$
Rated transformation ratio	$k_{ra}$	A/V		71.11		
Rated secondary voltage	$U_{Sr}$	mV		225		
Rated frequency	$f_r$	Hz		50/60		

Parameter	Symbol	Unit	Min	Typ	Max	Comment
Frequency bandwidth (-3 dB)	$BW$	kHz	1.5			<sup>2)</sup> Short circuit condition (no load).
Phase displacement	$\Delta\varphi$	°	-1		1	<sup>3)</sup> (-10 °C ... 55 °C) Detail page 14
Temperature coefficient of $I_{out}$	$TCI_{out}$	ppm/k			80	
Ratio error	$\varepsilon$	%	-1		1	<sup>3)</sup> (-10 °C ... 55 °C) Detail page 14
Linearity error	$\varepsilon_L$	%	-0.1		0.1	
Influence of external conductor	$\varepsilon_{ext}$	%		0.3		

- Notes:**
- <sup>1)</sup> No test conducted given that is the worst case (load = 100 k $\Omega$  i.e short circuit on the output) the peak dissipated power remains low.
  - <sup>2)</sup> Frequency bandwidth and phase shift modeling schematic can be provided on request.
  - <sup>3)</sup> Considering a primary conductor of at least  $\varnothing 9\text{ mm}$  perpendicular to the current transformer. All our **LEMcity** transducers class I are tested at 5 %, 20 % 100 % and 120 % of  $I_{Pr}$  to be according to IEC61869-2 table 201.

**Electrical data ATO-20-B225-D10**

 At  $T_A = 25\text{ °C}$ ,  $R_{br} = 100\text{ k}\Omega$ , unless otherwise noted.

Parameter	Symbol	Unit	Min	Value	Max	Comment
Rated burden	$R_{br}$	k $\Omega$	100			
Rated primary current	$I_{Pr}$	A		20		
Rated extended primary current	$I_{ePr}$	A		24		120 % of $I_{Pr}$
Rated short-time thermal current	$I_{th}$	kA			1.2	<sup>1)</sup> at 50 Hz; 60 x $I_{Pr}$ (1 s)
Rated dynamic current	$I_{dyn}$	kA			3	at 50 Hz; 2.5 x $I_{th}$
Rated transformation ratio	$k_{ra}$	A/V		88.89		
Rated secondary voltage	$U_{Sr}$	mV		225		
Rated frequency	$f_r$	Hz		50/60		

Parameter	Symbol	Unit	Min	Typ	Max	Comment
Frequency bandwidth (-3 dB)	$BW$	kHz	1.5			<sup>2)</sup> Short circuit condition (no load).
Phase displacement	$\Delta\varphi$	°	-1		1	<sup>3)</sup> (-10 °C ... 55 °C) Detail page 14
Temperature coefficient of $I_{out}$	$TCI_{out}$	ppm/k			80	
Ratio error	$\varepsilon$	%	-1		1	<sup>3)</sup> (-10 °C ... 55 °C) Detail page 14
Linearity error	$\varepsilon_L$	%	-0.1		0.1	
Influence of external conductor	$\varepsilon_{ext}$	%		0.3		

- Notes:**
- <sup>1)</sup> No test conducted given that is the worst case (load = 100 k $\Omega$  i.e short circuit on the output) the peak dissipated power remains low.
  - <sup>2)</sup> Frequency bandwidth and phase shift modeling schematic can be provided on request.
  - <sup>3)</sup> Considering a primary conductor of at least  $\varnothing 9\text{ mm}$  perpendicular to the current transformer. All our **LEMcity** transducers class I are tested at 5 %, 20 % 100 % and 120 % of  $I_{Pr}$  to be according to IEC61869-2 table 201.

**Electrical data ATO-30-B225-D10**

 At  $T_A = 25\text{ °C}$ ,  $R_{br} = 100\text{ k}\Omega$ , unless otherwise noted.

Parameter	Symbol	Unit	Min	Value	Max	Comment
Rated burden	$R_{br}$	k $\Omega$	100			
Rated primary current	$I_{Pr}$	A		30		
Rated extended primary current	$I_{ePr}$	A		36		120 % of $I_{Pr}$
Rated short-time thermal current	$I_{th}$	kA			1.8	<sup>1)</sup> at 50 Hz; 60 x $I_{Pr}$ (1 s)
Rated dynamic current	$I_{dyn}$	kA			3.6	at 50 Hz; 2.5 x $I_{th}$
Rated transformation ratio	$k_{ra}$	A/V		133.3		
Rated secondary voltage	$U_{Sr}$	mV		225		
Rated frequency	$f_r$	Hz		50/60		

Parameter	Symbol	Unit	Min	Typ	Max	Comment
Frequency bandwidth (-3 dB)	$BW$	kHz	1.5			<sup>2)</sup> Short circuit condition (no load).
Phase displacement	$\Delta\varphi$	°	-1		1	<sup>3)</sup> (-10 °C ... 55 °C) Detail page 14
Temperature coefficient of $I_{out}$	$TCI_{out}$	ppm/k			80	
Ratio error	$\varepsilon$	%	-1		1	<sup>3)</sup> (-10 °C ... 55 °C) Detail page 14
Linearity error	$\varepsilon_L$	%	-0.1		0.1	
Influence of external conductor	$\varepsilon_{ext}$	%		0.3		

- Notes:**
- <sup>1)</sup> No test conducted given that is the worst case (load = 100 k $\Omega$  i.e short circuit on the output) the peak dissipated power remains low.
  - <sup>2)</sup> Frequency bandwidth and phase shift modeling schematic can be provided on request.
  - <sup>3)</sup> Considering a primary conductor of at least  $\varnothing 9\text{ mm}$  perpendicular to the current transformer. All our **LEMcity** transducers class I are tested at 5 %, 20 % 100 % and 120 % of  $I_{Pr}$  to be according to IEC61869-2 table 201.



**Electrical data ATO-32-B225-D10**

 At  $T_A = 25\text{ °C}$ ,  $R_{br} = 100\text{ k}\Omega$ , unless otherwise noted.

Parameter	Symbol	Unit	Min	Value	Max	Comment
Rated burden	$R_{br}$	k $\Omega$	100			
Rated primary current	$I_{Pr}$	A		32		
Rated extended primary current	$I_{ePr}$	A		38.4		120 % of $I_{Pr}$
Rated short-time thermal current	$I_{th}$	kA			1.92	<sup>1)</sup> at 50 Hz; 60 x $I_{Pr}$ (1 s)
Rated dynamic current	$I_{dyn}$	kA			4.8	at 50 Hz; 2.5 x $I_{th}$
Rated transformation ratio	$k_{ra}$	A/V		142.2		
Rated secondary voltage	$U_{Sr}$	mV		225		
Rated frequency	$f_r$	Hz		50/60		

Parameter	Symbol	Unit	Min	Typ	Max	Comment
Frequency bandwidth (-3 dB)	$BW$	kHz	1.5			<sup>2)</sup> Short circuit condition (no load).
Phase displacement	$\Delta\varphi$	°	-1		1	<sup>3)</sup> (-10 °C ... 55 °C) Detail page 14
Temperature coefficient of $I_{out}$	$TCI_{out}$	ppm/k			80	
Ratio error	$\varepsilon$	%	-1		1	<sup>3)</sup> (-10 °C ... 55 °C) Detail page 14
Linearity error	$\varepsilon_L$	%	-0.1		0.1	
Influence of external conductor	$\varepsilon_{ext}$	%		0.3		

- Notes:**
- <sup>1)</sup> No test conducted given that is the worst case (load = 100 k $\Omega$  i.e short circuit on the output) the peak dissipated power remains low.
  - <sup>2)</sup> Frequency bandwidth and phase shift modeling schematic can be provided on request.
  - <sup>3)</sup> Considering a primary conductor of at least  $\varnothing 9\text{ mm}$  perpendicular to the current transformer. All our **LEMcity** transducers class I are tested at 5 %, 20 % 100 % and 120 % of  $I_{Pr}$  to be according to IEC61869-2 table 201.

**Electrical data ATO-50-B225-D10**

 At  $T_A = 25\text{ °C}$ ,  $R_{br} = 100\text{ k}\Omega$ , unless otherwise noted.

Parameter	Symbol	Unit	Min	Value	Max	Comment
Rated burden	$R_{br}$	k $\Omega$	100			
Rated primary current	$I_{Pr}$	A		50		
Rated extended primary current	$I_{ePr}$	A		60		120 % of $I_{Pr}$
Rated short-time thermal current	$I_{th}$	kA			3	<sup>1)</sup> at 50 Hz; 60 x $I_{Pr}$ (1 s)
Rated dynamic current	$I_{dyn}$	kA			7.5	at 50 Hz; 2.5 x $I_{th}$
Rated transformation ratio	$k_{ra}$	A/V		222.2		
Rated secondary voltage	$U_{Sr}$	mV		225		
Rated frequency	$f_r$	Hz		50/60		

Parameter	Symbol	Unit	Min	Typ	Max	Comment
Frequency bandwidth (-3 dB)	$BW$	kHz	1.5			<sup>2)</sup> Short circuit condition (no load).
Phase displacement	$\Delta\varphi$	°	-1		1	<sup>3)</sup> (-10 °C ... 55 °C) Detail page 14
Temperature coefficient of $I_{out}$	$TCI_{out}$	ppm/k			80	
Ratio error	$\varepsilon$	%	-1		1	<sup>3)</sup> (-10 °C ... 55 °C) Detail page 14
Linearity error	$\varepsilon_L$	%	-0.1		0.1	
Influence of external conductor	$\varepsilon_{ext}$	%		0.3		

- Notes:**
- <sup>1)</sup> No test conducted given that is the worst case (load = 100 k $\Omega$  i.e short circuit on the output) the peak dissipated power remains low.
  - <sup>2)</sup> Frequency bandwidth and phase shift modeling schematic can be provided on request.
  - <sup>3)</sup> Considering a primary conductor of at least  $\varnothing 9\text{ mm}$  perpendicular to the current transformer. All our **LEMcity** transducers class I are tested at 5 %, 20 % 100 % and 120 % of  $I_{Pr}$  to be according to IEC61869-2 table 201.

**Electrical data ATO-60-B333-D10**

 At  $T_A = 25\text{ °C}$ ,  $R_{br} = 100\text{ k}\Omega$ , unless otherwise noted.

Parameter	Symbol	Unit	Min	Value	Max	Comment
Rated burden	$R_{br}$	k $\Omega$	100			
Rated primary current	$I_{Pr}$	A		60		
Rated extended primary current	$I_{ePr}$	A		72		120 % of $I_{Pr}$
Rated short-time thermal current	$I_{th}$	kA			3.6	<sup>1)</sup> at 50 Hz; 60 x $I_{Pr}$ (1 s)
Rated dynamic current	$I_{dyn}$	kA			9	at 50 Hz; 2.5 x $I_{th}$
Rated transformation ratio	$k_{ra}$	A/V		266.7		
Rated secondary voltage	$U_{Sr}$	mV		225		
Rated frequency	$f_r$	Hz		50/60		

Parameter	Symbol	Unit	Min	Typ	Max	Comment
Frequency bandwidth (-3 dB)	$BW$	kHz	1.5			<sup>2)</sup> Short circuit condition (no load).
Phase displacement	$\Delta\varphi$	°	-1		1	<sup>3)</sup> (-10 °C ... 55 °C) Detail page 14
Temperature coefficient of $I_{out}$	$TCI_{out}$	ppm/k			80	
Ratio error	$\varepsilon$	%	-1		1	<sup>3)</sup> (-10 °C ... 55 °C) Detail page 14
Linearity error	$\varepsilon_L$	%	-0.1		0.1	
Influence of external conductor	$\varepsilon_{ext}$	%		0.3		

- Notes:**
- <sup>1)</sup> No test conducted given that is the worst case (load = 100 k $\Omega$  i.e short circuit on the output) the peak dissipated power remains low.
  - <sup>2)</sup> Frequency bandwidth and phase shift modeling schematic can be provided on request.
  - <sup>3)</sup> Considering a primary conductor of at least  $\varnothing 9\text{ mm}$  perpendicular to the current transformer. All our **LEMcity** transducers class I are tested at 5 %, 20 % 100 % and 120 % of  $I_{Pr}$  to be according to IEC61869-2 table 201.

**Electrical data ATO-63-B225-D10**

 At  $T_A = 25\text{ °C}$ ,  $R_{br} = 100\text{ k}\Omega$ , unless otherwise noted.

Parameter	Symbol	Unit	Min	Value	Max	Comment
Rated burden	$R_{br}$	k $\Omega$	100			
Rated primary current	$I_{Pr}$	A		63		
Rated extended primary current	$I_{ePr}$	A		75.6		120 % of $I_{Pr}$
Rated short-time thermal current	$I_{th}$	kA			3.78	<sup>1)</sup> at 50 Hz; 60 x $I_{Pr}$ (1 s)
Rated dynamic current	$I_{dyn}$	kA			9.45	at 50 Hz; 2.5 x $I_{th}$
Rated transformation ratio	$k_{ra}$	A/V		280		
Rated secondary voltage	$U_{Sr}$	mV		225		
Rated frequency	$f_r$	Hz		50/60		

Parameter	Symbol	Unit	Min	Typ	Max	Comment
Frequency bandwidth (-3 dB)	$BW$	kHz	1.5			<sup>2)</sup> Short circuit condition (no load).
Phase displacement	$\Delta\varphi$	°	-1		1	<sup>3)</sup> (-10 °C ... 55 °C) Detail page 14
Temperature coefficient of $I_{out}$	$TCI_{out}$	ppm/k			80	
Ratio error	$\varepsilon$	%	-1		1	<sup>3)</sup> (-10 °C ... 55 °C) Detail page 14
Linearity error	$\varepsilon_L$	%	-0.1		0.1	
Influence of external conductor	$\varepsilon_{ext}$	%		0.3		

- Notes:**
- <sup>1)</sup> No test conducted given that is the worst case (load = 100 k $\Omega$  i.e short circuit on the output) the peak dissipated power remains low.
  - <sup>2)</sup> Frequency bandwidth and phase shift modeling schematic can be provided on request.
  - <sup>3)</sup> Considering a primary conductor of at least  $\varnothing 9\text{ mm}$  perpendicular to the current transformer. All our **LEMcity** transducers class I are tested at 5 %, 20 % 100 % and 120 % of  $I_{Pr}$  to be according to IEC61869-2 table 201.

### Electrical data ATO-75-B225-D10

At  $T_A = 25\text{ °C}$ ,  $R_{br} = 100\text{ k}\Omega$ , unless otherwise noted.

Parameter	Symbol	Unit	Min	Value	Max	Comment
Rated burden	$R_{br}$	k $\Omega$	100			
Rated primary current	$I_{Pr}$	A		75		
Rated extended primary current	$I_{ePr}$	A		90		120 % of $I_{Pr}$
Rated short-time thermal current	$I_{th}$	kA			4.5	<sup>1)</sup> at 50 Hz; 60 x $I_{Pr}$ (1 s)
Rated dynamic current	$I_{dyn}$	kA			11.25	at 50 Hz; 2.5 x $I_{th}$
Rated transformation ratio	$k_{ra}$	A/V		333.3		
Rated secondary voltage	$U_{Sr}$	mV		225		
Rated frequency	$f_r$	Hz		50/60		

Parameter	Symbol	Unit	Min	Typ	Max	Comment
Frequency bandwidth (-3 dB)	$BW$	kHz	1.5			<sup>2)</sup> Short circuit condition (no load).
Phase displacement	$\Delta\phi$	°	-1		1	<sup>3)</sup> (-10 °C ... 55 °C) Detail page 14
Temperature coefficient of $I_{out}$	$TCI_{out}$	ppm/k			80	
Ratio error	$\epsilon$	%	-1		1	<sup>3)</sup> (-10 °C ... 55 °C) Detail page 14
Linearity error	$\epsilon_L$	%	-0.1		0.1	
Influence of external conductor	$\epsilon_{ext}$	%		0.3		

- Notes:**
- <sup>1)</sup> No test conducted given that is the worst case (load = 100 k $\Omega$  i.e short circuit on the output) the peak dissipated power remains low.
  - <sup>2)</sup> Frequency bandwidth and phase shift modeling schematic can be provided on request.
  - <sup>3)</sup> Considering a primary conductor of at least  $\varnothing 9\text{ mm}$  perpendicular to the current transformer. All our **LEMcity** transducers class I are tested at 5 %, 20 % 100 % and 120 % of  $I_{Pr}$  to be according to IEC61869-2 table 201.

### Definition of typical, minimum and maximum values

Minimum and maximum values for specified limiting and safety conditions have to be understood as such as well as values shown in “typical” graphs.

On the other hand, measured values are part of a statistical distribution that can be specified by an interval with upper and lower limits and a probability for measured values to lie within this interval.

Unless otherwise stated (e.g. “100 % tested”), the LEM definition for such intervals designated with “min” and “max” is that the probability for values of samples to lie in this interval is 99.73 %.

For a normal (Gaussian) distribution, this corresponds to an interval between -3 sigma and +3 sigma. If “typical” values are not obviously mean or average values, those values are defined to delimit intervals with a probability of 68.27 %, corresponding to an interval between -sigma and +sigma for a normal distribution.

Typical, minimum and maximum values are determined during the initial characterization of the product.

**Typical performance characteristics**  
**Accuracy class 1 according to IEC 61869-2**

At  $T_A = 25\text{ }^\circ\text{C}$ , at frequency = 50 Hz,  $R_{br} = 100\text{ k}\Omega$ , unless otherwise noted.

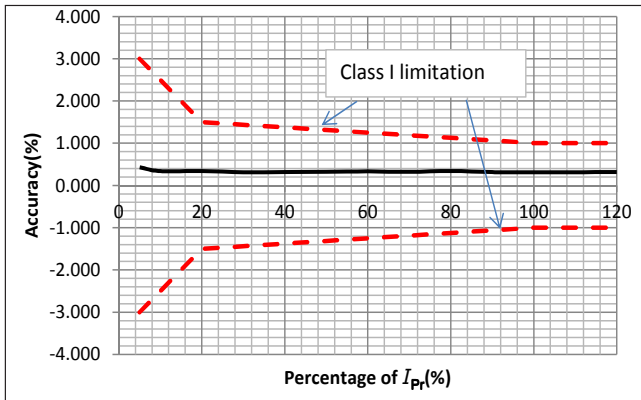


Figure 1: Accuracy vs. primary current

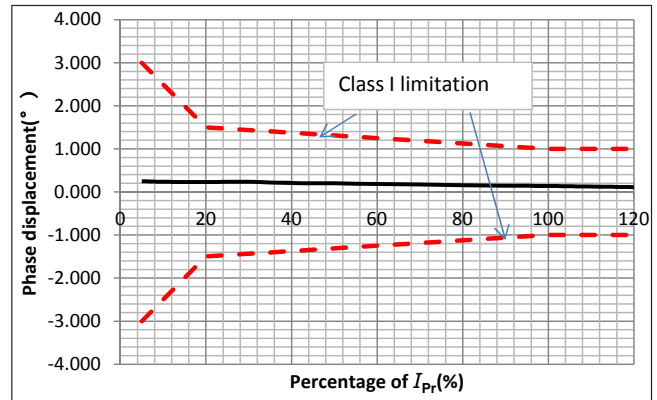


Figure 2: Phase displacement vs. primary current

% of $I_{Pr}$	Ratio error				Phase displacement			
	5 %	20 %	100 %	120 %	5 %	20 %	100 %	120 %
Maximum	3.0 %	1.5 %	1.0 %	1.0 %	3.0°	1.5°	1.0°	1.0°
Minimum	-3.0 %	-1.5 %	-1.0 %	-1.0 %	-3.0°	-1.5°	-1.0°	-1.0°

At  $T_A = 25\text{ }^\circ\text{C}$ , at frequency = 60 Hz,  $R_{br} = 100\text{ k}\Omega$ , unless otherwise noted.

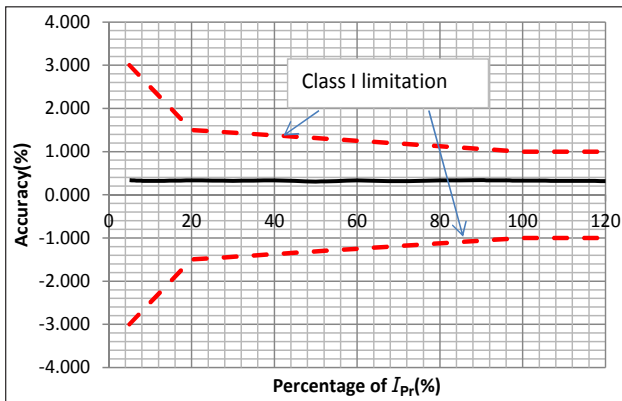


Figure 3: Accuracy vs. primary current

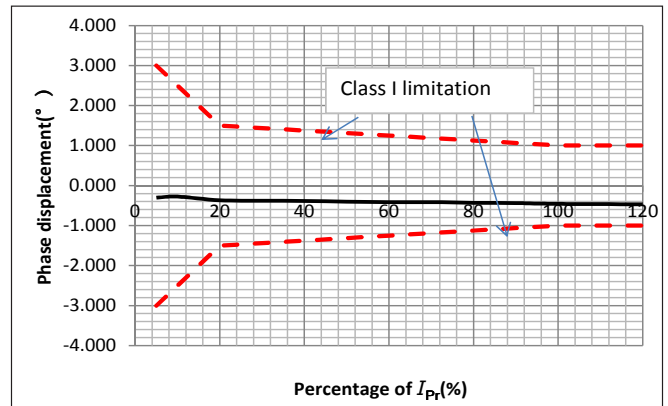


Figure 4: Phase displacement vs. primary current

% of $I_{Pr}$	Ratio error				Phase displacement			
	5 %	20 %	100 %	120 %	5 %	20 %	100 %	120 %
Maximum	3.0 %	1.5 %	1.0 %	1.0 %	3.0°	1.5°	1.0°	1.0°
Minimum	-3.0 %	-1.5 %	-1.0 %	-1.0 %	-3.0°	-1.5°	-1.0°	-1.0°

## Performance parameters definition

### Rated transformation ratio $K_{ra}$

Ratio of  $K_{ra}$  to the actual secondary voltage or current.

### Ratio error $\epsilon$

The current ratio error, expressed in per cent, is given by the formula:

$$\epsilon = \frac{K_{ra} I_s - I_p}{I_p} \times 100 \%$$

Where:

$K_{ra}$ : is the rated transformation ratio

$I_p$ : is the actual primary current

$I_s$ : is the actual secondary current when  $I_p$  is flowing, under the conditions of measurement

### Phase displacement $\Delta\phi$

The  $\Delta\phi$  is the difference in phase between the primary voltage or current and the secondary voltage or current phasors. The direction of the phasors being so chosen that the angle is zero for an ideal transformer.

The phase displacement is said to be positive when the secondary voltage or current phasors leads the primary voltage or current phasors.

### Linearity error $\epsilon_L$

The linearity error  $\epsilon_L$  is the maximum positive or negative difference between the measured points and a corresponding linear regression line, expressed in % of  $I_{pr}$ .

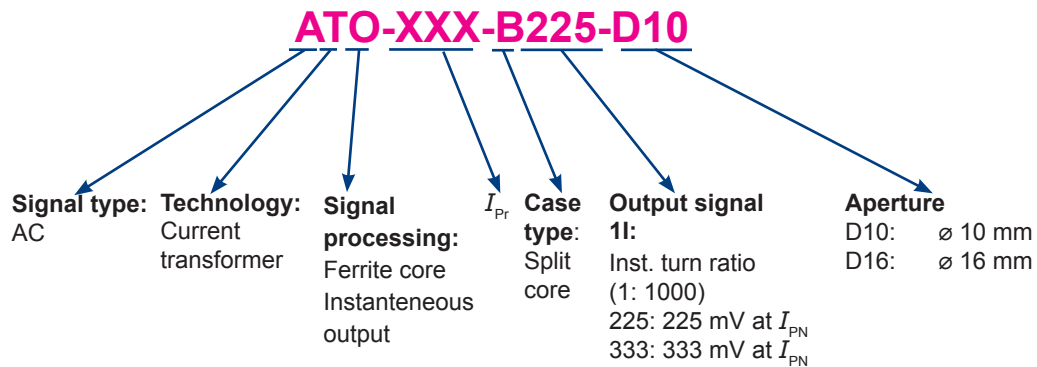
### Rated short-time thermal current $I_{th}$

Maximum value of the primary current which a transformer will withstand for a specified short time without suffering harmful effects, the secondary winding being short-circuited.

### Rated dynamic current $I_{dyn}$

Maximum peak value of the primary current which a transformer will withstand, without being damaged electrically or mechanically by the resulting electromagnetic forces, the secondary winding being short-circuited.

ATO-XXX-B225-D10 series: name and codification



### Safety and warning notes

In order to guarantee safe operation of the transducer and to be able to make proper use of all features and functions, please read these instructions thoroughly!

Safe operation can only be guaranteed if the transducer is used for the purpose it has been designed for and within the limits of the technical specifications.

Ensure you get up-to-date technical information that can be found in the latest associated datasheet under [www.lem.com](http://www.lem.com).



Caution! Risk of danger

Ignoring the warnings can lead to serious injury and/or cause damage! The electric measuring transducer may only be installed and put into operation by qualified personnel that have received an appropriate training.

The corresponding national regulations shall be observed during installation and operation of the transducer and any electrical conductor.

The transducer shall be used in electric/electronic equipment with respect to applicable standards and safety requirements and in accordance with all the related systems and components manufacturers' operating instructions.



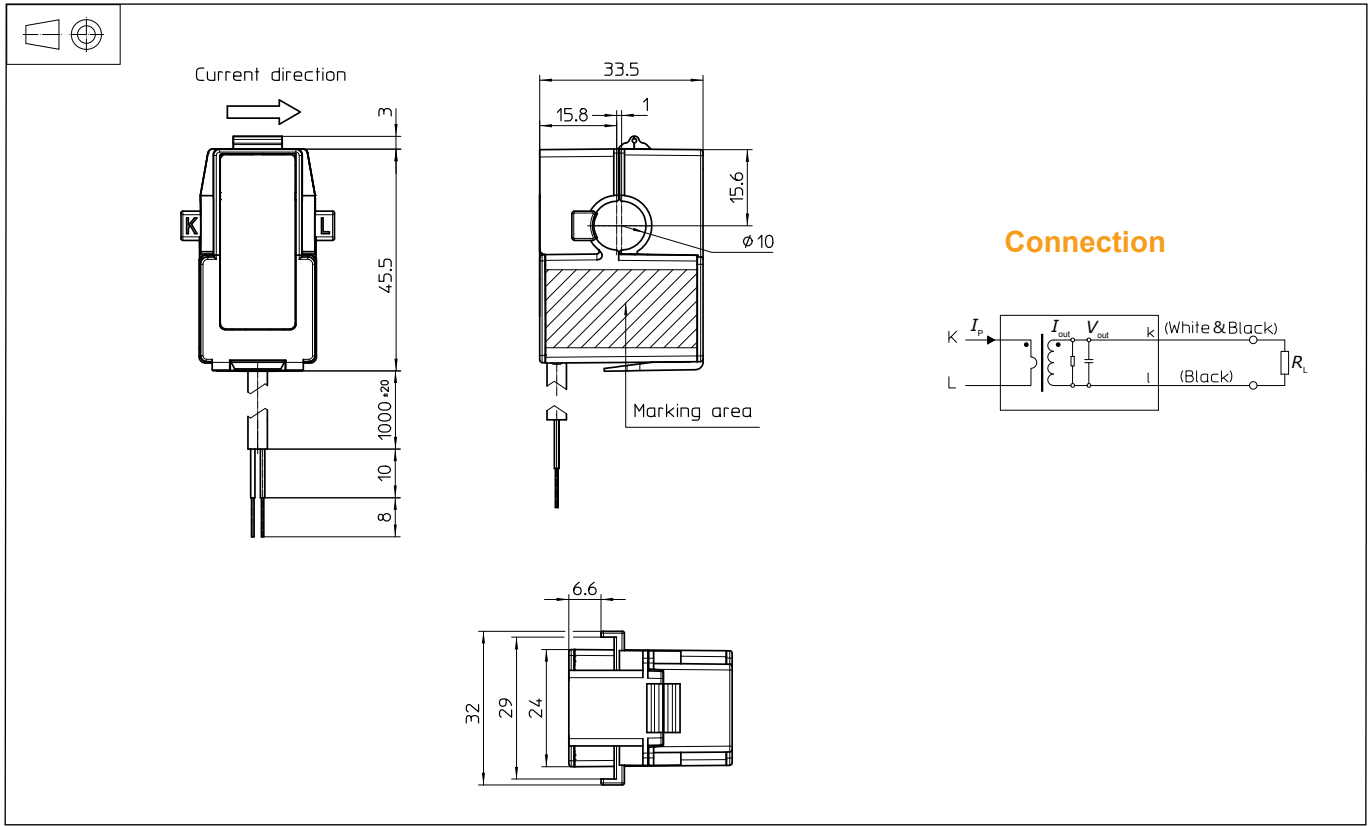
Caution! Risk of electrical shock

When operating the transducer, certain parts of the module may carry hazardous live voltage (e.g. primary conductor). The user shall ensure to take all measures necessary to protect against electrical shock. The transducer is a build-in device containing conducting parts that shall not be accessible after installation. A protective enclosure or additional insulation barrier may be necessary. Installation and maintenance shall be done with the main power supply disconnected except if there are no hazardous live parts in or in close proximity to the system and if the applicable national regulations are fully observed.

Safe and trouble-free operation of this transducer can only be guaranteed if transport, storage and installation are carried out correctly and operation and maintenance are carried out with care.



**Dimensions (in mm)**



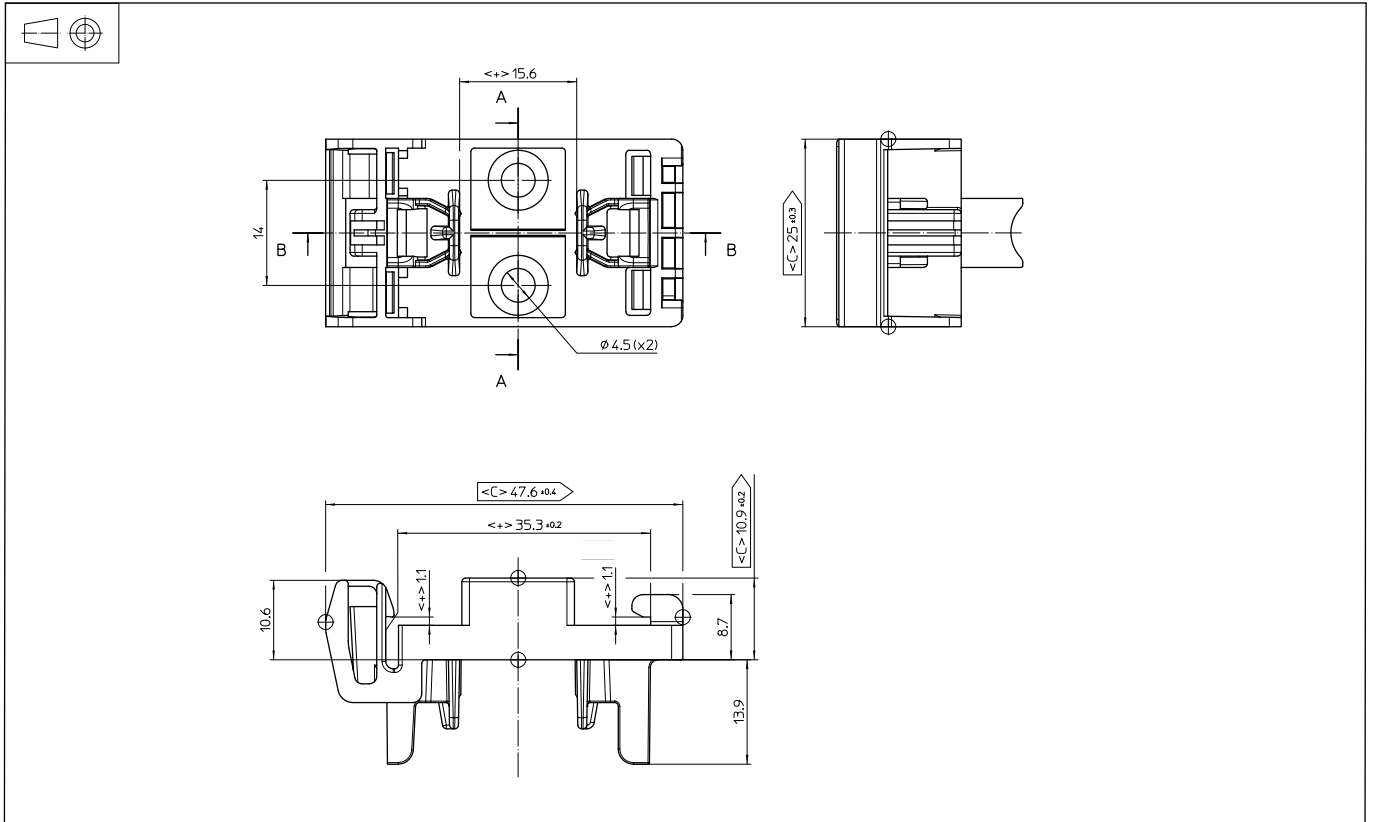
**Mechanical characteristics**

- General tolerance  $\pm 0.5$  mm
- Primary aperture  $\varnothing 10$  mm
- Fastening Cable tie
- Output cable length 1 m

**Remarks**

- Attention: contact areas (air gap) must be kept clean (particle free) to ensure proper performance
- Installation of the transducer must be done unless otherwise specified on the datasheet, according to LEM Transducer Generic Mounting Rules. Please refer to LEM document N°ANE120504 available on our Web site: [Products/Product Documentation](#).

DIN RAIL ADAPTOR (additional part option) dimensions (in mm)



Mechanical characteristics

- General tolerance  $\pm 0.4$  mm
- Fastening 1.5 N·m

Remarks

- Attention: contact areas (air gap) must be kept clean (particle free) to ensure proper performance
- Installation of the transducer must be done unless otherwise specified on the datasheet, according to LEM Transducer Generic Mounting Rules. Please refer to LEM document N°ANE120504 available on our Web site: [Products/Product Documentation](#).

## X-ON Electronics

Largest Supplier of Electrical and Electronic Components

*Click to view similar products for [Lem manufacturer](#):*

Other Similar products are found below :

[FHS 40-P KIT 4-1P](#) [FHS 40-P KIT 7-1P](#) [AT5B420L](#) [DHR 400 C10](#) [ATO-60-B225-D10](#) [IT 405-S](#) [ULTRASTAB](#) [HAS50-S/SP50](#) [CASR15-NP](#) [LA125-P](#) [RT 500](#) [FHS 40-P KIT 9-1P](#) [LF 205-S](#) [DVL 500](#) [DVL 750](#) [DVL 1000-UI](#) [AT100B10](#) [DIN RAIL ADAPTER ATO-D10](#) [DIN RAIL ADAPTER ATO-D16](#) [HO 200-/SP30](#) [AT150B420L](#) [DHR 100 C420](#) [HAIS 150-P](#) [AT 10 B10](#) [HO 150-/SP30](#) [DVL 1500-UI](#) [APR 50 B10](#) [DVL 750-UI](#) [HO 40-NP-0100](#) [CASR6-NP](#) [LAH100-P](#) [DHAB S/118](#) [LF205-S](#) [HO 250-/SP30](#) [LF 210-S](#) [hat800-s](#) [HAT400-S](#) [ART-B22-D070](#) [HO 50-S/SP33-1106](#) [RT 2000](#) [HX 03-P/SP2](#) [HTFS 400-P/SP2](#) [AP 50 B10](#) [DVL 2000](#) [HO 60-NP](#) [AP 50 B420L](#) [DVL 1500 CAS25-NP](#) [DHR 200 C420](#) [HO 180-P](#) [HY 25-P](#)