

Key Features

- GSM & 3G compatible
- Aesthetic puck shape design
- Adhesive base
- Gain of 2dBi



General Description

The Alpha 15 is supplied with 3M adhesive base that provide a secure fix onto many different surfaces, such as; metallic, plastic, glass and wooden making the Alpha 15, and other antennas in Alpha range, very versatile.

The Alpha 15 is tuned to the quad band GSM and the 3G frequencies, allowing for worldwide use. As standard, this antenna is supplied with an adhesive base. The Alpha 15 can also be made with either a magnetic or screw threaded base for volume orders.

Supplied with a 2.5 meter RG174 cable and an SMA male connector as standard. Siretta welcomes custom cable lengths and connectors with volume orders. Please send your customised enquiries to sales@siretta.co.uk.

Additional Considerations

- Supplied as standard with adhesive base
- Magnetic and screw base options
- Intended for indoor use
- Quad band GSM & 3G compatible so is capable of worldwide use
- RoHS compliant

Rev 1.2

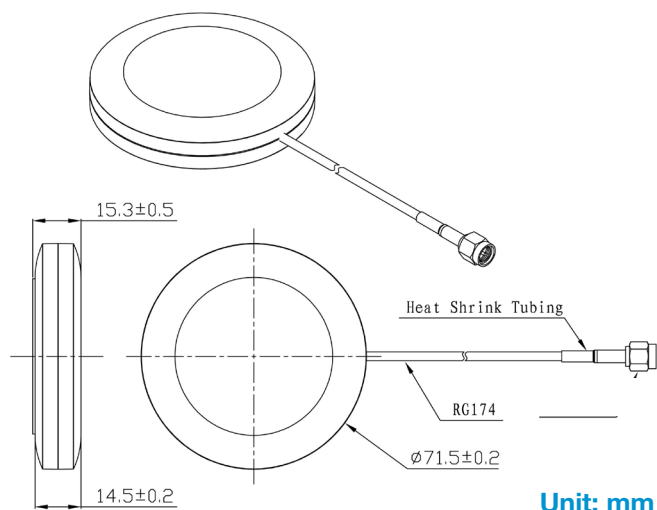
Key Specifications - Electrical

Impedance:	50 ohm
Gain:	2dBi (Zenith)
V.S.W.R:	<2.5
Frequency range:	824 ~ 960, 1710 ~ 2170MHz
Polarization:	Linear

Key Specifications - Environmental

Operating temperature:	-40 to +85°C
Vibration:	10 to 55Hz with 1.5mm amplitude 2hours
Relative humidity:	Up to 95%
Environmentally friendly:	RoHS Compliant

Dimensions



Key Specifications - Mechanical

Dimensions:	(see drawing overpage)
Cable:	RG174 or others
Connector:	SMA or others
Mounting method:	Adhesive
Radome material:	ABS

Gain

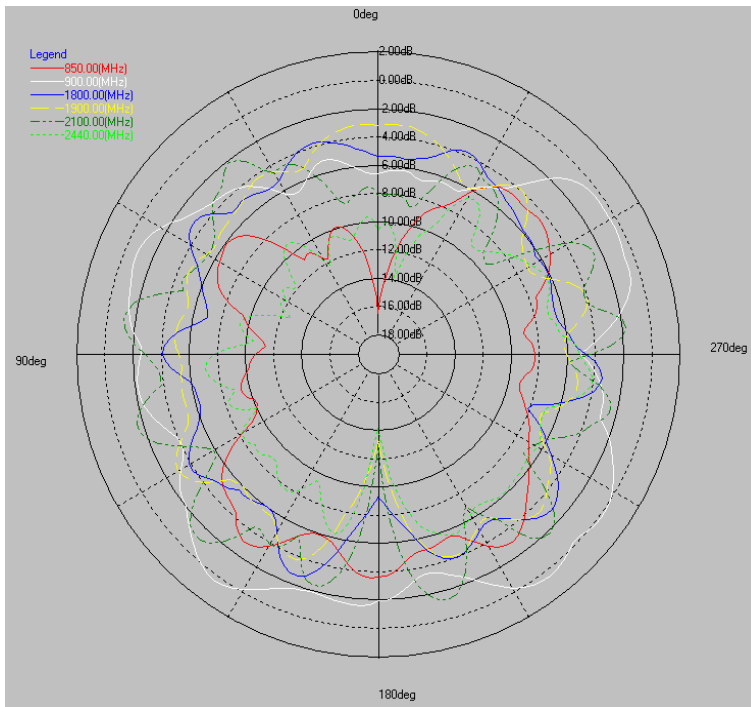
GSM

850MHz:	-3.71dBi
900MHz:	-1.28dBi
1800MHz:	-0.34dBi
1900MHz:	-2.30dBi

3G

2100MHz:	-3.20dBi
----------	----------

Gain vs. Frequency Graph



UL Tested (Basingstoke, UK)
Part: ALPHA15/2.5M/SMAM/S/S/26

Ordering Details

Part Number	Description
ALPHA15/2.5M/SMAM/S/S/26	Quad Band GSM and 3G Adhesive Antenna, 2.5m Cable, SMA Female Connector

X-ON Electronics

Largest Supplier of Electrical and Electronic Components

Click to view similar products for [SIRETTA](#) manufacturer:

Other Similar products are found below :

[ALPHA4A/5M/SMAM/S/S/26](#) [DELTA5A/X/SMAM/S/S/17](#) [OSCAR17/X/TNC/S/S/19](#) [DELTA5A/X/BNCM/S/S/17](#) [SNYPER-LTE-SPECTRUM](#) [ASMA2000F058L13](#) [ASMA2000C058L13](#) [TANGO14/5M/LL/SMAM/S/S/24](#) [TANGO1/1M/FMEF/S/S/4](#) [ASME500F058L13](#) [TANGO3/0.5M/SMAM/S/S/31](#) [TANGO40/X/NTYPEF/S/S/32](#) [QUARTZ-W22-LTE\(EU\)+ACC](#) [ASMA500B174L13](#) [31557](#) [ECHO40/0.1M/UFL/S/S/32](#) [MIKE1A/5M/FMEF/S/S/20](#) [QUARTZ-W22-UMTS\(EU\)+ACC](#) [TANGO11A/2.5M/SMAM/S/S/19](#) [ASMA500F058L13](#) [ZETA-N-UMTS](#) [ECHO11/0.2M/IPEX/S/S/12](#) [ASMA300E174L13](#) [ASMA1000F058L13](#) [DELTA19/X/SMAM/S/S/35](#) [ASMA2000E058L13](#) [ASMZG300F058L13](#) [MIKE3A/5M/SMAM/S/S/17](#) [TANGO15/3M/SMAM/SMAM/S/S/24](#) [TANGO20/3M/SMAM/S/S/26](#) [ASMZG500A058L13](#) [ASMZG1500F058L13](#) [ALPHA1A/2.5M/SMAM/S/S/11](#) [OSCAR40/10M/LL/SMAM/S/S/33](#) [TANGO11A/5M/LL/SMAM/S/S/19](#) [TANGO29/1M/SMAM/RP/S/35](#) [ASME2000F058L13](#) [ASMK015X174S11](#) [LC300-N2-GPRS](#) [DELTA6A/X/SMAM/S/S/11](#) [MIKE1A/2.5M/FMEF/S/S/20](#) [ASMZG1000F058L13](#) [OSCAR41/X/NTYPEF/S/S/29](#) [TANGO22/3M/SMAM/SMAM/SMAM/26](#) [OSCAR420/0.4M/NTYPEF/S/S/19](#) [ASMK010X174S11](#) [ZETA-N2-GPRS](#) [ADAPT/SMAM/RP](#) [OSCAR18/X/NF/S/S/22](#) [TANGO14/3M/SMAM/S/S/24](#)