

Key Features

- Right angle mount
- Groundplane independent
- RoHS compliant
- Small size: 46mm



General Description

The Siretta Delta 2C antenna combines exceptional performance in a very small size, enabling its use with many of today's GSM / GPRS.

Terminated with an SMA male, SMA reverse polarity, it is ideally suited to applications requiring a simple, cable free set up such as Point of Sale, metering or alarm panels as well as being a popular addition to radio manufacturers' evaluation kits.

The radiating element is an omnidirectional dipole antenna which is over moulded in black high grade rubber giving a rugged, stylish finish.

The Delta 2C is a popular antenna for customers requiring a straightforward to fit, reliable product and is qualified and used with many of today's GSM / GPRS terminals.

Additional Considerations

- A right angled mount ensures the antenna can be flexibly installed with equipment
- Fits to many popular GSM / GPRS terminal equipment
- Does not rely on mounting on metallic surface
- Meets all EU compliance criteria for electronic goods

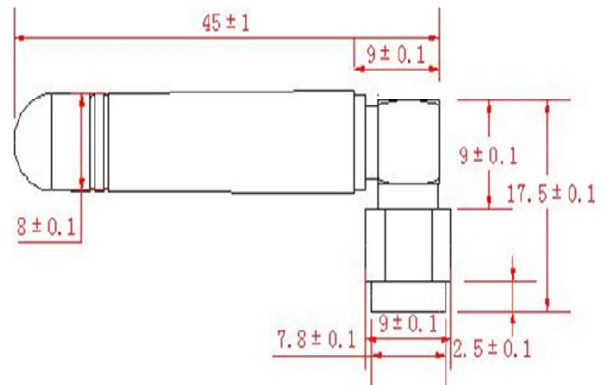
Rev 1.2

Key Specifications - Electrical

Operating temperature:	-45 to +75°C
Storage temperature:	-45 to +75°C
Impedance:	50 ohm
Gain:	2.15 dBi
Voltage and supply current:	Passive
Max power:	50W
Operating frequencies:	890-960MHz @ <1.5:1 VSWR 1710-1880MHz @ <1.7:1 VSWR
Polarization:	Vertical
Radiating element:	Dipole

Key Specifications - Mechanical

Dimensions:	46mm
Connector:	SMA Male
Mounting method:	Direct connect



Ordering Details:

Part Number	Description
DELTA2C/X/SMAM/S/RA/23	Quad Band Stubby GSM/GPRS Antenna, SMA Male Connector

Siretta is a division of Sequoia Technology Group Ltd

Registered in England No. 4004881
VAT Registration No. GB614 5653 45

Siretta
Basingstoke Road
Spencers Wood
Reading
Berkshire RG7 1PW

sales +44(0)118 976 9014
fax +44(0)118 976 9020
email info@siretta.co.uk
web www.siretta.co.uk

X-ON Electronics

Largest Supplier of Electrical and Electronic Components

Click to view similar products for [SIRETTA](#) manufacturer:

Other Similar products are found below :

[ALPHA4A/5M/SMAM/S/S/26](#) [DELTA5A/X/SMAM/S/S/17](#) [OSCAR17/X/TNC/S/S/19](#) [DELTA5A/X/BNCM/S/S/17](#) [SNYPER-LTE-SPECTRUM](#) [ASMA2000F058L13](#) [ASMA2000C058L13](#) [TANGO14/5M/LL/SMAM/S/S/24](#) [TANGO1/1M/FMEF/S/S/4](#) [ASME500F058L13](#) [TANGO3/0.5M/SMAM/S/S/31](#) [TANGO40/X/NTYPEF/S/S/32](#) [QUARTZ-W22-LTE\(EU\)+ACC](#) [ASMA500B174L13](#) [31557](#) [ECHO40/0.1M/UFL/S/S/32](#) [MIKE1A/5M/FMEF/S/S/20](#) [QUARTZ-W22-UMTS\(EU\)+ACC](#) [TANGO11A/2.5M/SMAM/S/S/19](#) [ASMA500F058L13](#) [ZETA-N-UMTS](#) [ECHO11/0.2M/IPEX/S/S/12](#) [ASMA300E174L13](#) [ASMA1000F058L13](#) [DELTA19/X/SMAM/S/S/35](#) [ASMA2000E058L13](#) [ASMZG300F058L13](#) [MIKE3A/5M/SMAM/S/S/17](#) [TANGO15/3M/SMAM/SMAM/S/S/24](#) [TANGO20/3M/SMAM/S/S/26](#) [ASMZG500A058L13](#) [ASMZG1500F058L13](#) [ALPHA1A/2.5M/SMAM/S/S/11](#) [OSCAR40/10M/LL/SMAM/S/S/33](#) [TANGO11A/5M/LL/SMAM/S/S/19](#) [TANGO29/1M/SMAM/RP/S/35](#) [ASME2000F058L13](#) [ASMK015X174S11](#) [LC300-N2-GPRS](#) [DELTA6A/X/SMAM/S/S/11](#) [MIKE1A/2.5M/FMEF/S/S/20](#) [ASMZG1000F058L13](#) [OSCAR41/X/NTYPEF/S/S/29](#) [TANGO22/3M/SMAM/SMAM/SMAM/26](#) [OSCAR420/0.4M/NTYPEF/S/S/19](#) [ASMK010X174S11](#) [ZETA-N2-GPRS](#) [ADAPT/SMAM/RP](#) [OSCAR18/X/NF/S/S/22](#) [TANGO14/3M/SMAM/S/S/24](#)