

Key Features

- Compact size: 35 x 6mm
- Flexible connector and cable options
- Quad band GSM and 3G
- ISM: 868 and 915MHz
- Ground plane independent
- RoHS compliant

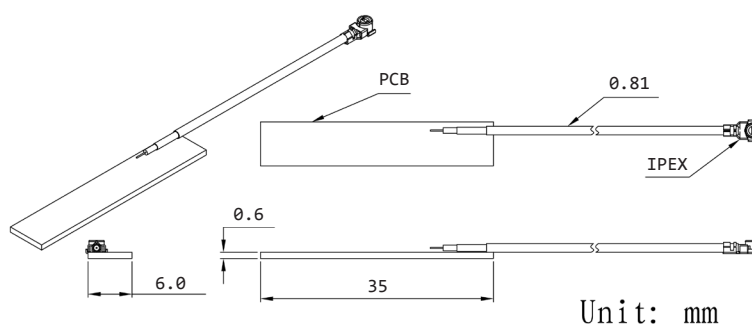
General Description

Siretta multi purpose PCB antennas are based on an efficiently tuned PCB Element that is matched and embedded to work with a wide variety of RF & M2M modules operating on quad band GSM, 3G and ISM frequencies.

Proven in many embedded applications, it is groundplane independent and compact making it a popular choice where a small size is important. Its wide ranging connector and cable options makes it a convenient antenna for a quick design in whilst the miniature design allows it to fix to the inside of an enclosure or side of PCB.

Additional Considerations

- 35mm x 6mm allows easy integration into small devices
- Allows easy selection and quick integration into target application
- Works with quad band GSM / GPRS devices, 3G and ISM
- Can be mounted on a wide range of surfaces or to float inside equipment
- Meets all EU compliance criteria for electronic goods.



Rev 1.4

Key Specifications - Electrical

Temperature range:	-40 to +85°C
Impedance:	50 ohm
VSWR:	<2.0
Operating frequency:	824 ~ 960MHz 1710 ~ 2170MHz
Polarization:	Linear
Radiating element:	¼ wave dipole

Key Specifications - Mechanical

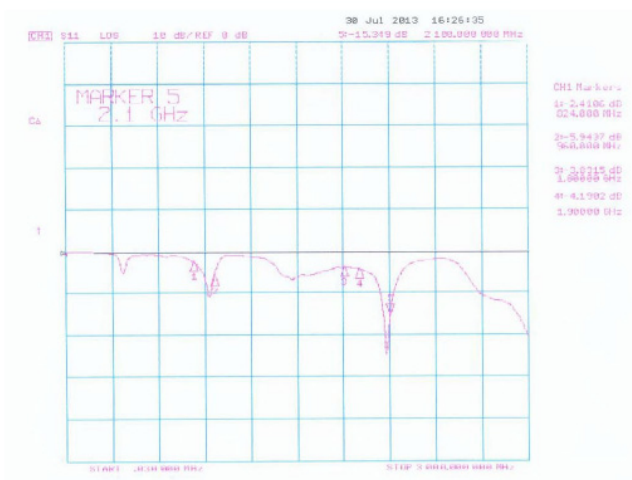
Dimensions:	35 x 6 x 0.6mm (without cable)
Cable:	100 - 150mm (RF 1.13mm)
Connector:	IPEX, GSC
Mounting method:	Adhesive
RoHS Compliant:	Yes

Gain

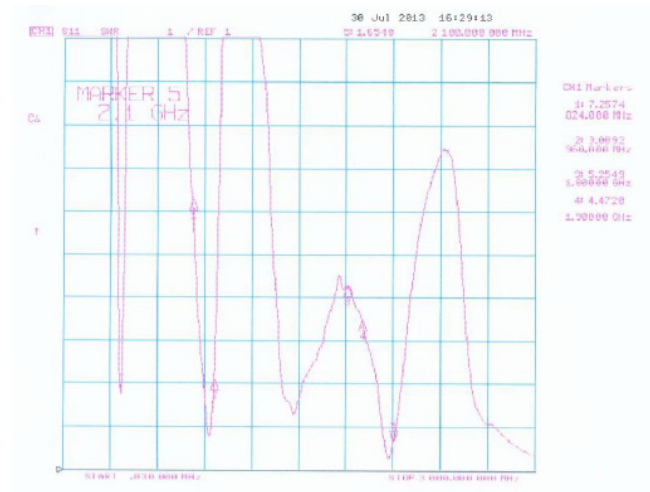
ISM	
868MHz:	-0.4dBi
915MHz:	-0.8dBi
GSM	
850MHz:	-1.95dBi
900MHz:	-0.92dBi
1800MHz:	0.78dBi
1900MHz:	1.13dBi
3G	
2100MHz:	3.66dBi

Test Results

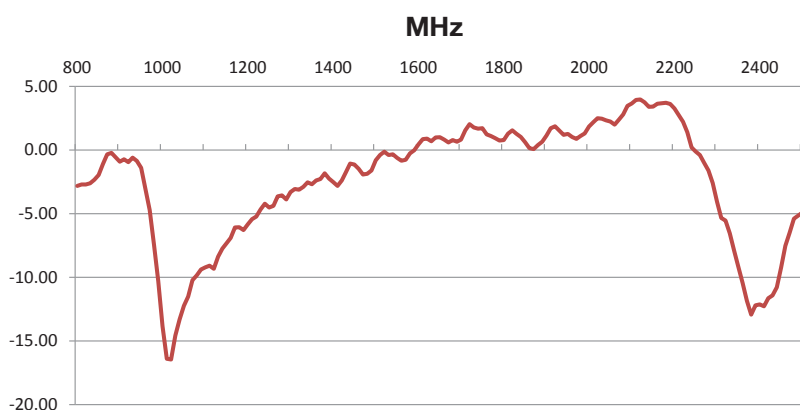
VSWR Graph



SWR Graph

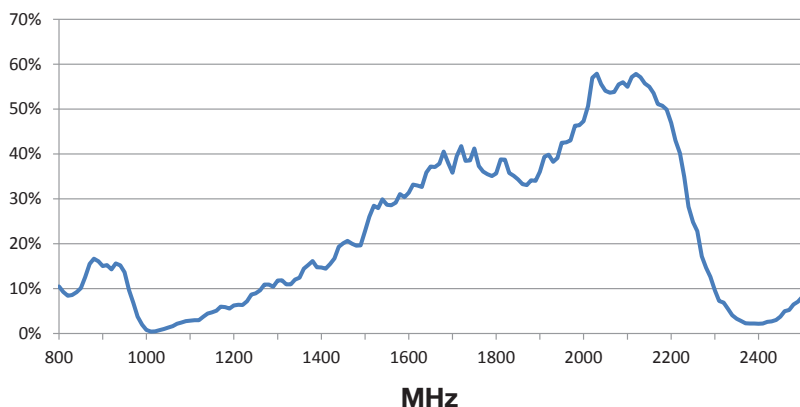


Peak Gain (dBi)



UL Tested (Basingstoke, UK)
Part: ECHO1A/0.1M/IPEX/S/S/26
Ref No: 10215162JD02
Date: 12/02/2014

Efficiency %



UL Tested (Basingstoke, UK)
Part: ECHO1A/0.1M/IPEX/S/S/26
Ref No: 10215162JD02
Date: 12/02/2014

Ordering Details

Part Number	Description
ECHO1A/0.1M/IPEX/S/S/11	Quad Band GSM, 3G and ISM PCB Antenna, 100mm Cable, IPEX Connector
ECHO1A/0.2M/IPEX/S/S/11	Quad Band GSM, 3G and ISM PCB Antenna, 200mm Cable, IPEX Connector
ECHO1A/0.1M/GSC/S/S/11	Quad Band GSM, 3G and ISM PCB Antenna, 100mm Cable, GSC Connector
ECHO1A/0.2M/GSC/S/S/11	Quad Band GSM, 3G and ISM PCB Antenna, 200mm Cable, GSC Connector

Other cables length and connector styles available on request.

X-ON Electronics

Largest Supplier of Electrical and Electronic Components

Click to view similar products for [SIRETTA](#) manufacturer:

Other Similar products are found below :

[ALPHA4A/5M/SMAM/S/S/26](#) [DELTA5A/X/SMAM/S/S/17](#) [OSCAR17/X/TNC/S/S/19](#) [DELTA5A/X/BNCM/S/S/17](#) [SNYPER-LTE-SPECTRUM](#) [ASMA2000F058L13](#) [ASMA2000C058L13](#) [TANGO14/5M/LL/SMAM/S/S/24](#) [TANGO1/1M/FMEF/S/S/4](#) [ASME500F058L13](#) [TANGO3/0.5M/SMAM/S/S/31](#) [TANGO40/X/NTYPEF/S/S/32](#) [QUARTZ-W22-LTE\(EU\)+ACC](#) [ASMA500B174L13](#) [31557](#) [ECHO40/0.1M/UFL/S/S/32](#) [MIKE1A/5M/FMEF/S/S/20](#) [QUARTZ-W22-UMTS\(EU\)+ACC](#) [TANGO11A/2.5M/SMAM/S/S/19](#) [ASMA500F058L13](#) [ZETA-N-UMTS](#) [ECHO11/0.2M/IPEX/S/S/12](#) [ASMA300E174L13](#) [ASMA1000F058L13](#) [DELTA19/X/SMAM/S/S/35](#) [ASMA2000E058L13](#) [ASMZG300F058L13](#) [MIKE3A/5M/SMAM/S/S/17](#) [TANGO15/3M/SMAM/SMAM/S/S/24](#) [TANGO20/3M/SMAM/S/S/26](#) [ASMZG500A058L13](#) [ASMZG1500F058L13](#) [ALPHA1A/2.5M/SMAM/S/S/11](#) [OSCAR40/10M/LL/SMAM/S/S/33](#) [TANGO11A/5M/LL/SMAM/S/S/19](#) [TANGO29/1M/SMAM/RP/S/35](#) [ASME2000F058L13](#) [ASMK015X174S11](#) [LC300-N2-GPRS](#) [DELTA6A/X/SMAM/S/S/11](#) [MIKE1A/2.5M/FMEF/S/S/20](#) [ASMZG1000F058L13](#) [OSCAR41/X/NTYPEF/S/S/29](#) [TANGO22/3M/SMAM/SMAM/SMAM/26](#) [OSCAR420/0.4M/NTYPEF/S/S/19](#) [ASMK010X174S11](#) [ZETA-N2-GPRS](#) [ADAPT/SMAM/RP](#) [OSCAR18/X/NF/S/S/22](#) [TANGO14/3M/SMAM/S/S/24](#)