



### Key Features

- Yagi (directional) antenna
- 10dBi gain
- Pole/wall mounted
- Bracket included

### General Description

The Siretta Oscar 18 antenna is a family of high gain quad band GSM/GPRS and 3G antennas. The Oscar 18 is a Yagi antenna and therefore offers substantially higher gain compared to simple dipole antennas. Offering a high 10dBi gain and low VSWR, the Oscar 18 is a high performance antenna for high demanding cellular applications and locations.

The Oscar 18 comes with a 150mm lead from the antenna that is terminated with an N-type female connector. The N-type connector was developed to satisfy the need for a durable, weatherproof connectivity in RF applications, hence its use with our Oscar 18 antenna. An extension RG58 cable is also required with this antenna, one that is terminated with an N-type male connector at one end and a connector of your choice at the other.

The Oscar 18 measures 24.9 x 21 x 6.5cm and is supplied with a mounting bracket for wall or pole mounting.

### Additional Considerations

- Designed for indoor and outdoor environments
- Measures 24.9 x 21 x 6.5cm (LxHxD)
- Equipped with N-type female connector (inherently waterproof)
- 800 - 2500MHz frequency range

Rev 1.1



# Oscar 18

Quad Band GSM & 3G Pole/Wall Mounting Yagi Antenna

## Key Specifications - Electrical

Impedance:	50 ohm
Gain:	10dBi
VSWR:	<1.5
Frequency range:	800 - 2500MHz
Maximum power:	50W
Front to back ratio:	>20dB
Rated wind velocity:	55m/s
Lightening protection:	DC Ground
Polarization:	Vertical

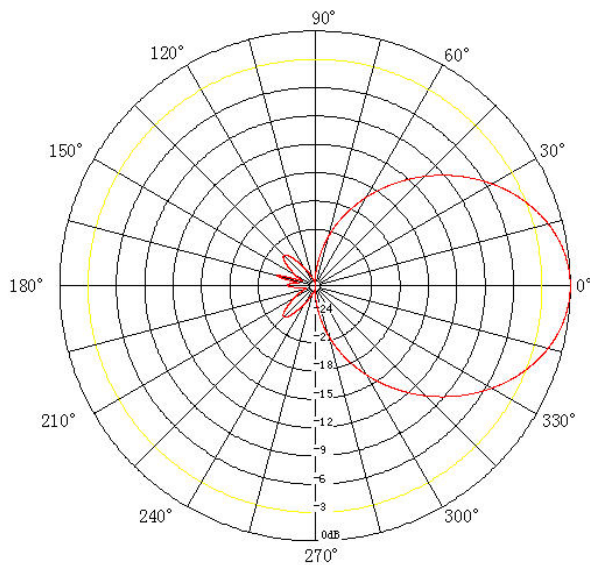
## Key Specifications - Mechanical

Dimensions:	24.9 x 21 x 6.5cm
Weight:	1350g
Connector:	N-Type Female

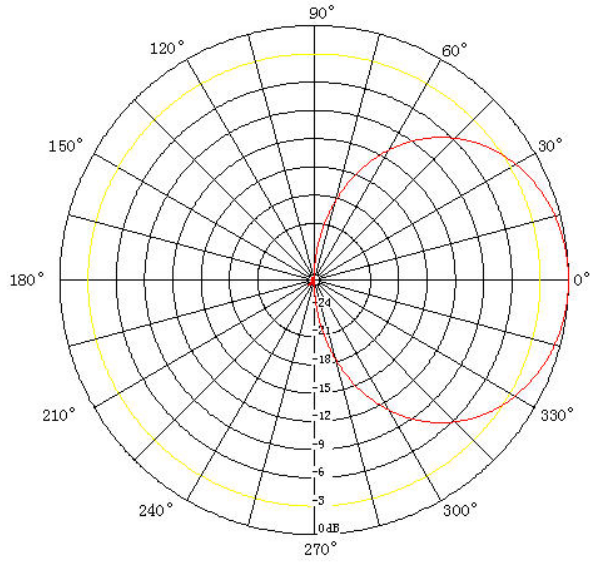
## Test Reports

### Radiation Patterns

#### Vertical Radiation



#### Horizontal Radiation



Siretta is a division of Sequoia Technology Group Ltd

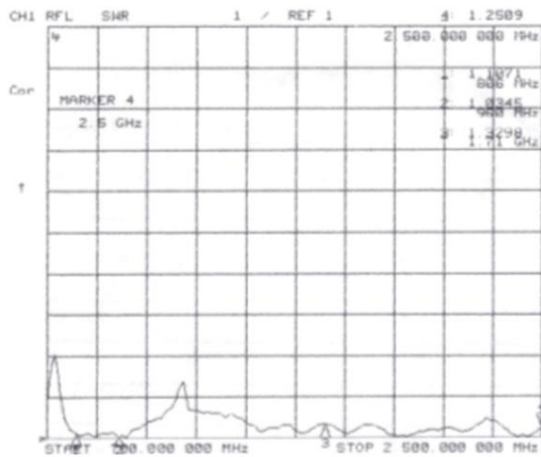
Registered in England No. 4004881  
VAT Registration No. GB614 5653 45

Siretta  
Basingstoke Road  
Spencers Wood  
Reading  
Berkshire RG7 1PW

sales  
fax  
email  
web

+44(0)118 976 9014  
+44(0)118 976 9020  
info@siretta.co.uk  
www.siretta.co.uk

#### Return Loss



#### Ordering Details

Part number	Description
OSCAR18/x/NF/S/S/22	Wall/Pole Mount Quad Band GSM/3G Yagi Antenna, N-Type Female Connectors
ASMA500R058S11	5m RG58 Cable, N-Type Male to SMA Male Connectors

Siretta is a division of Sequoia Technology Group Ltd

Registered in England No. 4004881  
VAT Registration No. GB614 5653 45

Siretta  
Basingstoke Road  
Spencers Wood  
Reading  
Berkshire RG7 1PW

sales +44(0)118 976 9014  
fax +44(0)118 976 9020  
email info@siretta.co.uk  
web www.siretta.co.uk

## X-ON Electronics

Largest Supplier of Electrical and Electronic Components

*Click to view similar products for [SIRETTA](#) manufacturer:*

Other Similar products are found below :

[ALPHA4A/5M/SMAM/S/S/26](#) [DELTA5A/X/SMAM/S/S/17](#) [OSCAR17/X/TNC/S/S/19](#) [DELTA5A/X/BNCM/S/S/17](#) [SNYPER-LTE-SPECTRUM](#) [ASMA2000F058L13](#) [ASMA2000C058L13](#) [TANGO14/5M/LL/SMAM/S/S/24](#) [TANGO1/1M/FMEF/S/S/4](#) [ASME500F058L13](#) [TANGO3/0.5M/SMAM/S/S/31](#) [TANGO40/X/NTYPEF/S/S/32](#) [QUARTZ-W22-LTE\(EU\)+ACC](#) [ASMA500B174L13](#) [31557](#) [ECHO40/0.1M/UFL/S/S/32](#) [MIKE1A/5M/FMEF/S/S/20](#) [QUARTZ-W22-UMTS\(EU\)+ACC](#) [TANGO11A/2.5M/SMAM/S/S/19](#) [ASMA500F058L13](#) [ZETA-N-UMTS](#) [ECHO11/0.2M/IPEX/S/S/12](#) [ASMA300E174L13](#) [ASMA1000F058L13](#) [DELTA19/X/SMAM/S/S/35](#) [ASMA2000E058L13](#) [ASMZG300F058L13](#) [MIKE3A/5M/SMAM/S/S/17](#) [TANGO15/3M/SMAM/SMAM/S/S/24](#) [TANGO20/3M/SMAM/S/S/26](#) [ASMZG500A058L13](#) [ASMZG1500F058L13](#) [ALPHA1A/2.5M/SMAM/S/S/11](#) [OSCAR40/10M/LL/SMAM/S/S/33](#) [TANGO11A/5M/LL/SMAM/S/S/19](#) [TANGO29/1M/SMAM/RP/S/35](#) [ASME2000F058L13](#) [ASMK015X174S11](#) [LC300-N2-GPRS](#) [DELTA6A/X/SMAM/S/S/11](#) [MIKE1A/2.5M/FMEF/S/S/20](#) [ASMZG1000F058L13](#) [OSCAR41/X/NTYPEF/S/S/29](#) [TANGO22/3M/SMAM/SMAM/SMAM/26](#) [OSCAR420/0.4M/NTYPEF/S/S/19](#) [ASMK010X174S11](#) [ZETA-N2-GPRS](#) [ADAPT/SMAM/RP](#) [OSCAR18/X/NF/S/S/22](#) [TANGO14/3M/SMAM/S/S/24](#)