

### Key Features

- Designed for use internally or externally
- Low profile
- High gain of 3dBi
- Mounts on glass/ metallic/ plastic surfaces
- IP67 rated
- RoHS compliant



### General Description

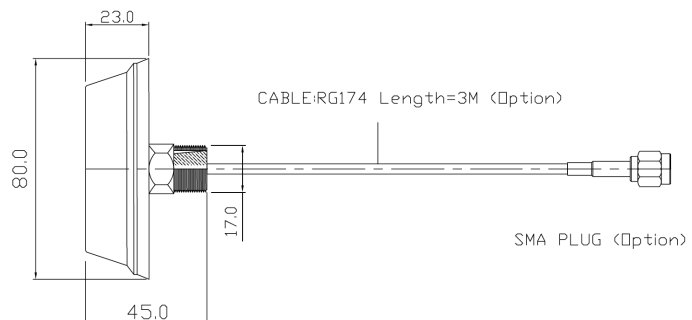
The Siretta Tango 11A series of puck antennas operate on the 850/900/1800/1900/2100 GSM/GPRS networks throughout Europe, Asia and Africa.

Its toughened casing and through hole mount design makes it reliable for use in harsh environments such as on board high sided vehicles or vandal prone environments. The RF cable is fed via the through hole mount base to ensure no cable is visible when fixed and the rubber 'shirt' around the base protects against water ingress.

The Tango 11A is fixed via its 22mm length screw thread and can fit onto panels of up to 13mm thickness and comes in many different RG174 cable lengths and connector configurations.

### Additional Considerations

- Can be mounted inside or outside giving widest flexibility.
- Ruggedised puck style design.
- Mounts to a variety of surfaces giving widest flexibility.
- Meets all EU compliance criteria for electronic goods.



Rev 1.1

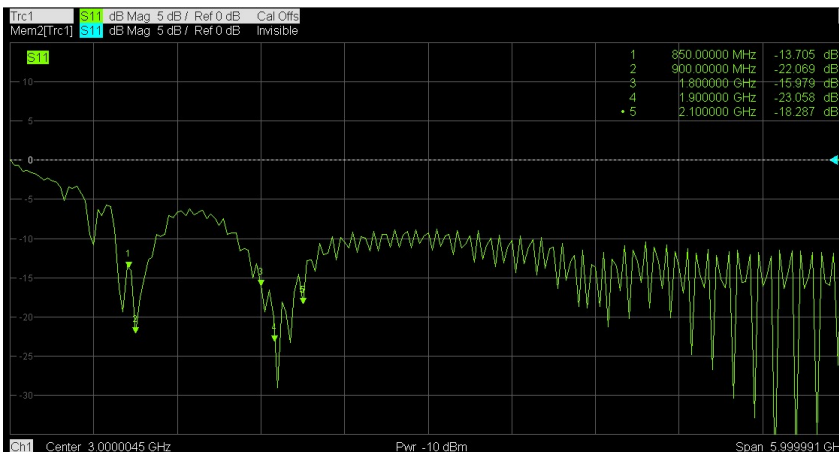
### Key Specifications - Electrical

Temperature range:	-40 to 85°C
Humidity:	40 to 95% RH
Impedance:	50 Ohms
Gain:	3dBi
VSWR:	<1.8:1
Frequency range:	850/ 900/ 1800/ 1900/ 2100MHz
Polarization:	Linear vertical
IP67 rated:	Yes

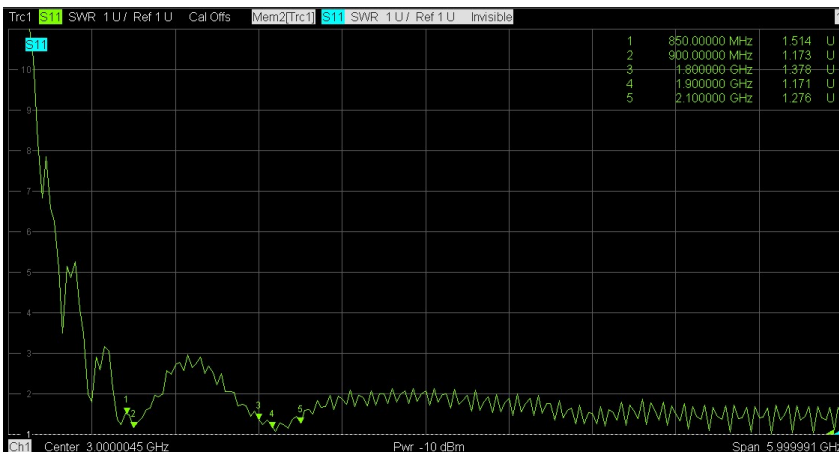
### Key Specifications - Mechanical

Dimensions:	80mm x 23mm
Cable:	RG174
Cable length:	According to customer specification
Connector:	According to customer specification

### SWR Graph



### VSWR Graph



Siretta is a division of Sequoia Technology Group Ltd

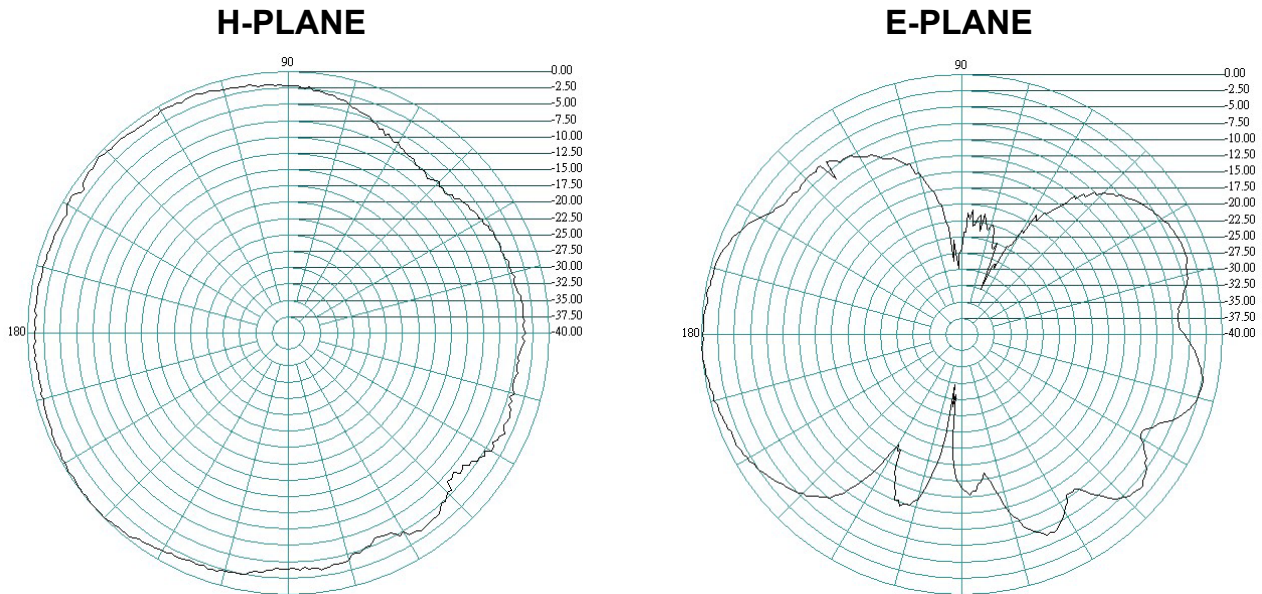
Registered in England No. 4004881  
VAT Registration No. GB614 5653 45

Siretta  
Basingstoke Road  
Spencers Wood  
Reading  
Berkshire RG7 1PW

sales  
fax  
email  
web

+44(0)118 976 9014  
+44(0)118 976 9020  
info@siretta.co.uk  
www.siretta.co.uk

## Radiation Pattern



## Ordering Details:

Part number	Description
TANGO11A/1.5M/SMAM/S/S/19	Quad Band GSM & 3G Through Hole Mount Antenna with 1.5M Cable and SMA Male Connector
TANGO11A/2.5M/SMAM/S/S/19	Quad Band GSM & 3G Through Hole Mount Antenna with 2.5M Cable and SMA Male Connector

## X-ON Electronics

Largest Supplier of Electrical and Electronic Components

*Click to view similar products for [SIRETTA](#) manufacturer:*

Other Similar products are found below :

[ALPHA4A/5M/SMAM/S/S/26](#) [DELTA5A/X/SMAM/S/S/17](#) [OSCAR17/X/TNC/S/S/19](#) [DELTA5A/X/BNCM/S/S/17](#) [SNYPER-LTE-SPECTRUM](#) [ASMA2000F058L13](#) [ASMA2000C058L13](#) [TANGO14/5M/LL/SMAM/S/S/24](#) [TANGO1/1M/FMEF/S/S/4](#) [ASME500F058L13](#) [TANGO3/0.5M/SMAM/S/S/31](#) [TANGO40/X/NTYPEF/S/S/32](#) [QUARTZ-W22-LTE\(EU\)+ACC](#) [ASMA500B174L13](#) [31557](#) [ECHO40/0.1M/UFL/S/S/32](#) [MIKE1A/5M/FMEF/S/S/20](#) [QUARTZ-W22-UMTS\(EU\)+ACC](#) [TANGO11A/2.5M/SMAM/S/S/19](#) [ASMA500F058L13](#) [ZETA-N-UMTS](#) [ECHO11/0.2M/IPEX/S/S/12](#) [ASMA300E174L13](#) [ASMA1000F058L13](#) [DELTA19/X/SMAM/S/S/35](#) [ASMA2000E058L13](#) [ASMZG300F058L13](#) [MIKE3A/5M/SMAM/S/S/17](#) [TANGO15/3M/SMAM/SMAM/S/S/24](#) [TANGO20/3M/SMAM/S/S/26](#) [ASMZG500A058L13](#) [ASMZG1500F058L13](#) [ALPHA1A/2.5M/SMAM/S/S/11](#) [OSCAR40/10M/LL/SMAM/S/S/33](#) [TANGO11A/5M/LL/SMAM/S/S/19](#) [TANGO29/1M/SMAM/RP/S/35](#) [ASME2000F058L13](#) [ASMK015X174S11](#) [LC300-N2-GPRS](#) [DELTA6A/X/SMAM/S/S/11](#) [MIKE1A/2.5M/FMEF/S/S/20](#) [ASMZG1000F058L13](#) [OSCAR41/X/NTYPEF/S/S/29](#) [TANGO22/3M/SMAM/SMAM/SMAM/26](#) [OSCAR420/0.4M/NTYPEF/S/S/19](#) [ASMK010X174S11](#) [ZETA-N2-GPRS](#) [ADAPT/SMAM/RP](#) [OSCAR18/X/NF/S/S/22](#) [TANGO14/3M/SMAM/S/S/24](#)