

Key Features

- 2dBi GSM gain, 28 ± 2 dBi gain
- Quad band GSM, 3G and ISM compatible
- GPS antenna combined
- IP67 rated
- Rugged and durable
- Through hole mount
- O ring seal - prevents water ingress
- RoHS compliant



General Description

The TANGO16 is an IP67 rated and fully weatherproof combination GSM/GPS antenna intended for outdoor equipment such as vending machines and similar. The TANGO16 has a GSM gain of 2dBi, the GPS antenna has an LNA gain of 28dB and a V.S.W.R. of <2.0.

The TANGO16 mounts via an M12 stud and is 50mm diameter at its base and 48mm tall. The circular rubber O ring on the bottom face is to ensure that water does not seep through the bolt hole when secured to the equipment using the antenna.

The TANGO16 is a robust and well-made antenna that has a great performance and will last for years in an outdoor environment.

Moisture Proof

The device should satisfy the electrical characteristics specified in the table 'Key Specifications - Dielectric Antenna' after exposed to the temperature 40±2°C and the relative humidity 90~95% RH for 96 hours and 1~2 hours recovery time under normal condition.

Vibration Resist

The device should satisfy the electrical characteristics specified in the table 'Key Specifications - Dielectric Antenna' after applied to the vibration of 10 to 55MHz with amplitude of 1.5mm for 2 hours each in X, Y, and Z directions.

Drop Shock

The device should satisfy the electrical characteristics specified in the table 'Key Specifications - Dielectric Antenna' after dropping onto the hard wooden board from the height of 30cm for 3 times each facet of the 3 dimensions of the device.

High Temperature Endurance

The device should satisfy the electrical characteristics specified in the table 'Key Specifications - Dielectric Antenna' after exposed to the temperature 80±5°C for 24±2 hours and 1~2 hours recovery time under normal temperature.

Low Temperature Endurance

The device should satisfy the electrical characteristics specified in the table 'Key Specifications - Dielectric Antenna' after exposed to the temperature -40±5°C for 24±2 hours and 2 hours recovery time under normal temperature.

Temperature Cycle Test

The device should satisfy the electrical characteristics specified in the table 'Key Specifications - Dielectric Antenna' after exposed to the low temperature -25°C and high temperature +85°C for 30±2 minutes each by 5 cycles and 1~2 hours recovery time under normal temperature.

Rev 1.2

GPS Antenna - Dielectric Antenna

Center frequency:	1575.42 ± 1MHz
Bandwidth:	CF ± 5MHz
Polarization:	RHCP
Gain:	5dBic (Zenith)
V.S.W.R:	<1.5
Impedance:	50ohm
Axial ratio:	3dB (max)

GPS Antenna - LNA

Gain:	28 ± 2dB
Noise figure:	<1.5
Ex-band attenuation:	12dB @ CF + 50MHz 16dB @ CF - 50MHz
V.S.W.R:	<2.0
Supply voltage:	2.2 ~ 5V DC
Current consumption:	5 ~ 15mA

Key Specifications - GSM Antenna

Frequency range:	824 ~ 960MHz 1710 ~ 2170MHz
V.S.W.R:	<2.0
Polarization:	Linear
Impedance:	50ohm

Key Specifications - Environmental

Operating temperature:	-40 to +85°C
Relative humidity:	Up to 95%
Ingress protection:	IP67 (exclude cable outlet)
Vibration:	10 to 55Hz with 1.5mm amplitude 2 hours
Environmentally friendly:	RoHS compliant

Gain

ISM

868MHz:	1.5dBi
915MHz:	2dBi

GSM

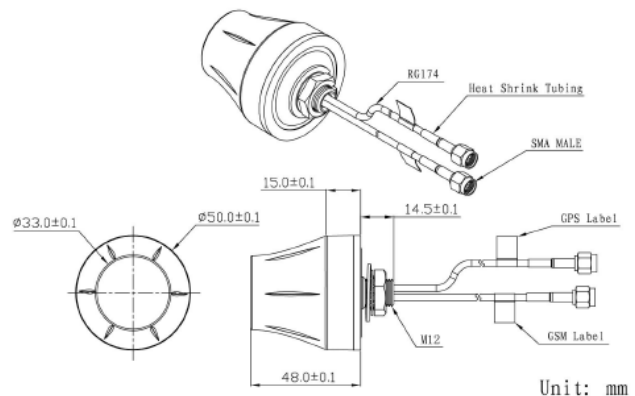
850MHz:	0.93dBi
900MHz:	1.41dBi
1800MHz:	1.95dBi
1900MHz:	1.95dBi

3G

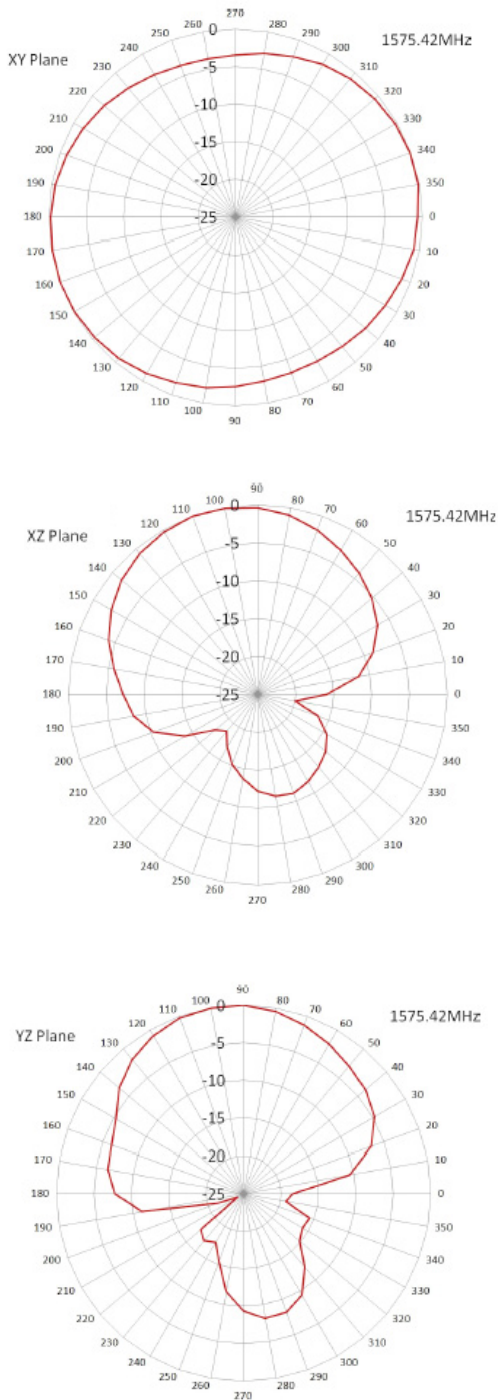
2100MHz:	2.33dBi
----------	---------

Key Specifications - Mechanical

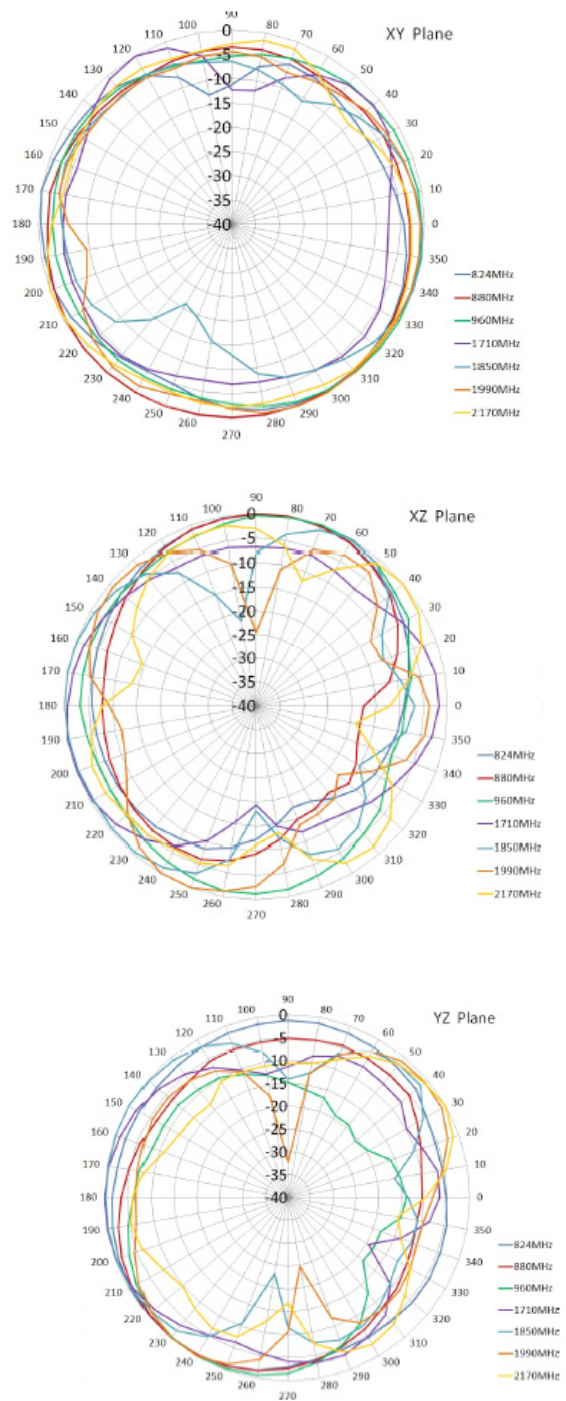
Cable:	RG174
Connector:	SMA/MCX/FAKRA or others
Material:	ABS
Mounting method:	Screw



GPS Radiation Patterns

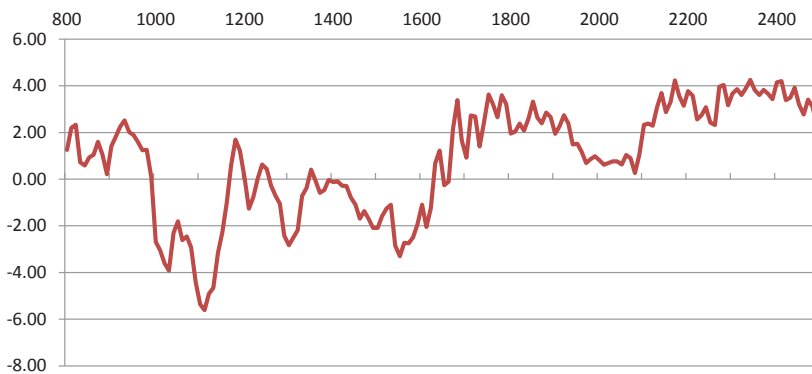


GSM Radiations Patterns



Test Reports

Peak Gain (dBi)



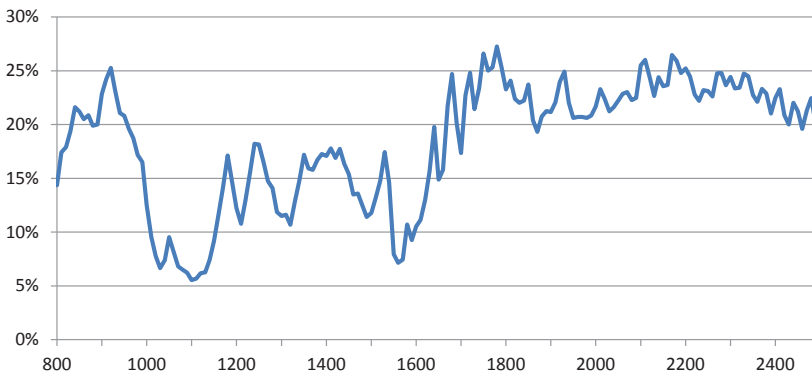
UL Tested (Basingstoke, UK)

Part: TANGO16/3M/SMAM/SMAM/S/S/26

Ref No: 10339609JD01

Date: 28/05/2014

Efficiency %



UL Tested (Basingstoke, UK)

Part: TANGO16/3M/SMAM/SMAM/S/S/26

Ref No: 10339609JD01

Date: 28/05/2014

X-ON Electronics

Largest Supplier of Electrical and Electronic Components

Click to view similar products for [SIRETTA](#) manufacturer:

Other Similar products are found below :

[ALPHA4A/5M/SMAM/S/S/26](#) [DELTA5A/X/SMAM/S/S/17](#) [OSCAR17/X/TNC/S/S/19](#) [DELTA5A/X/BNCM/S/S/17](#) [SNYPER-LTE-SPECTRUM](#) [ASMA2000F058L13](#) [ASMA2000C058L13](#) [TANGO14/5M/LL/SMAM/S/S/24](#) [TANGO1/1M/FMEF/S/S/4](#) [ASME500F058L13](#) [TANGO3/0.5M/SMAM/S/S/31](#) [TANGO40/X/NTYPEF/S/S/32](#) [QUARTZ-W22-LTE\(EU\)+ACC](#) [ASMA500B174L13](#) [31557](#) [ECHO40/0.1M/UFL/S/S/32](#) [MIKE1A/5M/FMEF/S/S/20](#) [QUARTZ-W22-UMTS\(EU\)+ACC](#) [TANGO11A/2.5M/SMAM/S/S/19](#) [ASMA500F058L13](#) [ZETA-N-UMTS](#) [ECHO11/0.2M/IPEX/S/S/12](#) [ASMA300E174L13](#) [ASMA1000F058L13](#) [DELTA19/X/SMAM/S/S/35](#) [ASMA2000E058L13](#) [ASMZG300F058L13](#) [MIKE3A/5M/SMAM/S/S/17](#) [TANGO15/3M/SMAM/SMAM/S/S/24](#) [TANGO20/3M/SMAM/S/S/26](#) [ASMZG500A058L13](#) [ASMZG1500F058L13](#) [ALPHA1A/2.5M/SMAM/S/S/11](#) [OSCAR40/10M/LL/SMAM/S/S/33](#) [TANGO11A/5M/LL/SMAM/S/S/19](#) [TANGO29/1M/SMAM/RP/S/35](#) [ASME2000F058L13](#) [ASMK015X174S11](#) [LC300-N2-GPRS](#) [DELTA6A/X/SMAM/S/S/11](#) [MIKE1A/2.5M/FMEF/S/S/20](#) [ASMZG1000F058L13](#) [OSCAR41/X/NTYPEF/S/S/29](#) [TANGO22/3M/SMAM/SMAM/SMAM/26](#) [OSCAR420/0.4M/NTYPEF/S/S/19](#) [ASMK010X174S11](#) [ZETA-N2-GPRS](#) [ADAPT/SMAM/RP](#) [OSCAR18/X/NF/S/S/22](#) [TANGO14/3M/SMAM/S/S/24](#)