

Key Features

- Penta band (Quad band GSM / GPRS and 3G 2100MHz)
- High gain
- Bracket mount
- Improved signal quality with provided low loss cable
- RoHS compliant



General Description

The Oscar 1A is a high performance Omni-directional wall / bracket mount antenna, operating on global GSM/GPRS and 3G frequencies. Its wide operating frequency band allows for worldwide cellular applications over the quad band GSM/GPRS networks as well as high data transfer rates via 3G/UMTS networks. Ruggedly constructed with black ABS plastic over the radiating element and with a lightweight yet durable aluminium mounting bracket. The Oscar 1A is designed for outdoor use to improve cellular signal reception and transmission. Its high quality monopole design provides a peak gain of 5dBi. This antenna is installed with ease using a couple of screws to secure its inbuilt L bracket to the best position for optimum signal transmission. Common applications for the Oscar 1A include: remote monitoring, alarm & security systems and applications demanding an all-weather and robust antenna.

Supplied with 5 meters of low loss cable to allow routing and maximum elevation to best optimise site communications. As standard, cables are terminated with either an SMA male or FME female connector type.

Additional Considerations

- Operates on global GSM/GPRS networks as well as 3G 2100 MHz
- Housed in a robust ABS casing for extreme climatic and operational environments
- For secure, permanent fixing
- Does not require additional placement on metallic surface
- Meets all EU compliance criteria for electronic goods

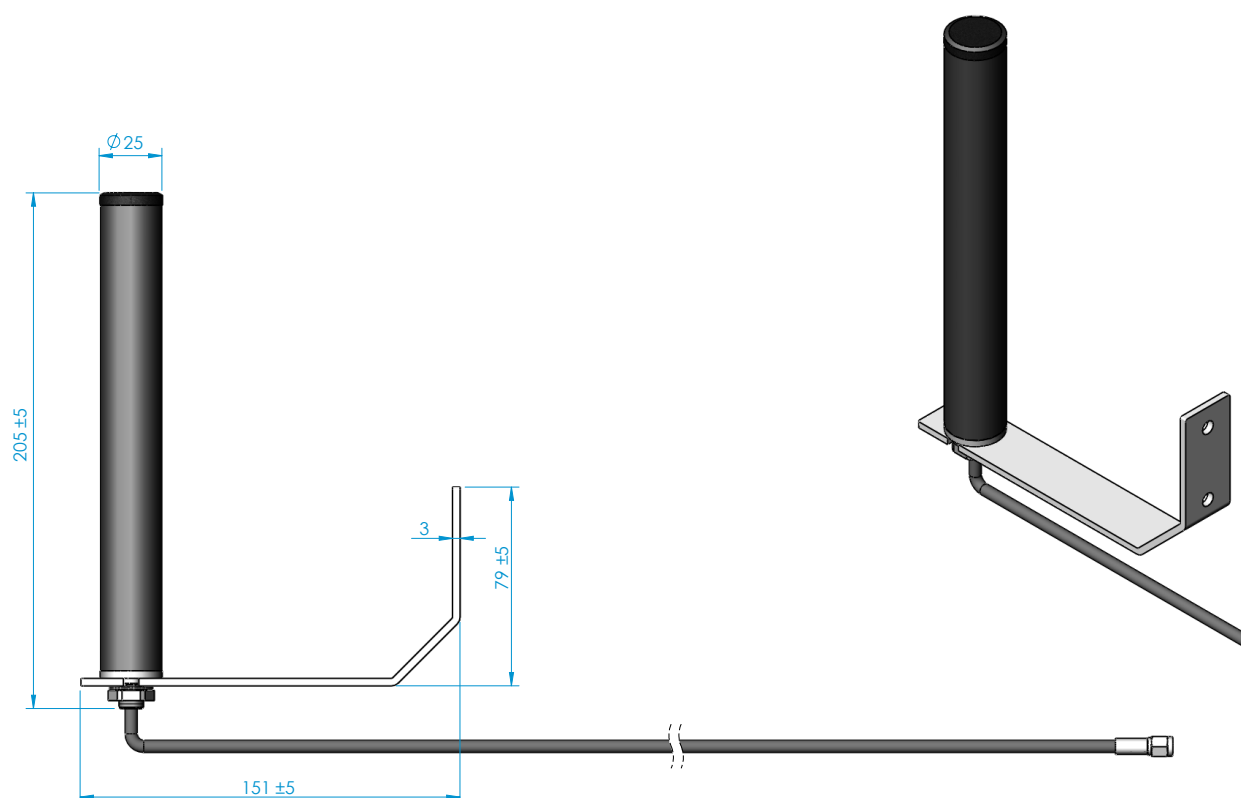
Rev 1.1

Key Specifications - Electrical

Temperature range:	-30 to +70°C
Impedance:	50 ohm
Peak gain:	5dBi
VSWR:	<1.8:1
Operating frequency:	Quad Band GSM / GPRS: 850, 900, 1800, 1900MHz 3G: 2100MHz
Polarization:	Vertical

Key Specifications - Mechanical

Antenna diameter:	25mm (cylinder)
Antenna height:	205 ± 5mm
Bracket length:	151 ± 5mm
Bracket height:	79 ± 5mm
Bracket thickness:	3mm
Cable:	Low loss CFD195
Housing colour:	Black



X-ON Electronics

Largest Supplier of Electrical and Electronic Components

Click to view similar products for [SIRETTA](#) manufacturer:

Other Similar products are found below :

[ALPHA4A/5M/SMAM/S/S/26](#) [DELTA5A/X/SMAM/S/S/17](#) [OSCAR17/X/TNC/S/S/19](#) [DELTA5A/X/BNCM/S/S/17](#) [SNYPER-LTE-SPECTRUM](#) [ASMA2000F058L13](#) [ASMA2000C058L13](#) [TANGO14/5M/LL/SMAM/S/S/24](#) [TANGO1/1M/FMEF/S/S/4](#) [ASME500F058L13](#) [TANGO3/0.5M/SMAM/S/S/31](#) [TANGO40/X/NTYPEF/S/S/32](#) [QUARTZ-W22-LTE\(EU\)+ACC](#) [ASMA500B174L13](#) [31557](#) [ECHO40/0.1M/UFL/S/S/32](#) [MIKE1A/5M/FMEF/S/S/20](#) [QUARTZ-W22-UMTS\(EU\)+ACC](#) [TANGO11A/2.5M/SMAM/S/S/19](#) [ASMA500F058L13](#) [ZETA-N-UMTS](#) [ECHO11/0.2M/IPEX/S/S/12](#) [ASMA300E174L13](#) [ASMA1000F058L13](#) [DELTA19/X/SMAM/S/S/35](#) [ASMA2000E058L13](#) [ASMZG300F058L13](#) [MIKE3A/5M/SMAM/S/S/17](#) [TANGO15/3M/SMAM/SMAM/S/S/24](#) [TANGO20/3M/SMAM/S/S/26](#) [ASMZG500A058L13](#) [ASMZG1500F058L13](#) [ALPHA1A/2.5M/SMAM/S/S/11](#) [OSCAR40/10M/LL/SMAM/S/S/33](#) [TANGO11A/5M/LL/SMAM/S/S/19](#) [TANGO29/1M/SMAM/RP/S/35](#) [ASME2000F058L13](#) [ASMK015X174S11](#) [LC300-N2-GPRS](#) [DELTA6A/X/SMAM/S/S/11](#) [MIKE1A/2.5M/FMEF/S/S/20](#) [ASMZG1000F058L13](#) [OSCAR41/X/NTYPEF/S/S/29](#) [TANGO22/3M/SMAM/SMAM/SMAM/26](#) [OSCAR420/0.4M/NTYPEF/S/S/19](#) [ASMK010X174S11](#) [ZETA-N2-GPRS](#) [ADAPT/SMAM/RP](#) [OSCAR18/X/NF/S/S/22](#) [TANGO14/3M/SMAM/S/S/24](#)