

Key Features

- 16dB pre-amplifier
- Internally mounted
- UFL connector
- Ground plane independent
- RoHS compliant

General Description

Siretta GPS patch antennas combine an excellent RF performance in a small form factor making them ideal for industrial and consumer equipment when combined with today's GPS modules.

Fitted with the latest generation pre-amplifier, the Echo 16 has been tuned to achieve 16dB gain for lower gain applications compared with the more standard 25dB+ gain. The gain is achieved from a current consumption between 10-14mA at 3.3V.

The Echo 16 comes with an RF shield, making it an ideal product for embedded applications and it's built in ground plane makes it a simple to design in unit needing no additional circuitry.

Supplied with 40mm co-axial cable and a UFL connector, it is an ideal antenna solution for many of today's GPS receivers.

Additional Considerations

- Improves signal to noise ratio for mobile applications
- Small size and self contained antenna ideal for space saving environments
- Offers compatibility with many GPS engines
- Comes with RF shielding and mounted on ground plane
- Meets all EU compliance criteria for electronic goods

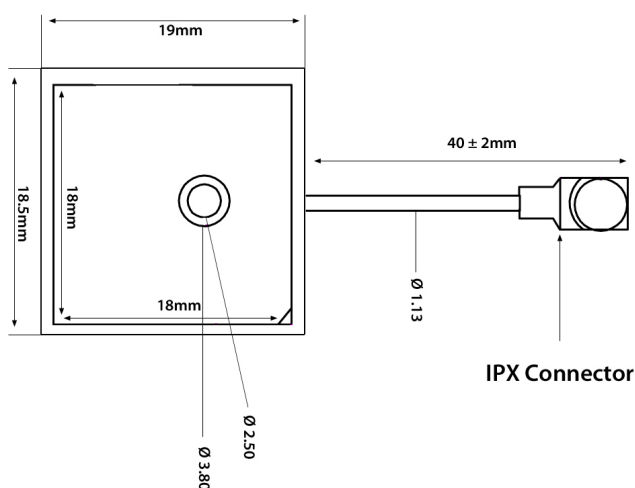
Rev 1.2

Key Specifications - Electrical

Temperature range:	-40 to +85°C
Impedance:	50 ohm
VSWR:	<1.5:1
Voltage and supply current:	3 - 5VDC, 10-14mA @ 3.3V
Operating frequency:	1575.42MHz (± 1.02MHz)
Polarization:	RHCP

Key Specifications - Mechanical

Dimensions:	18.5mm x 19mm x 6.1mm (without cable)
Cable:	0.81mm coax
Connector:	UFL
Mounting method:	Internally mounted



Ordering Details

Part Number	Description
ECHO16/0.04M/IPEX/S/S/17	GPS Ceramic Patch Active Antenna, 40mm Cable, IPEX Connector

X-ON Electronics

Largest Supplier of Electrical and Electronic Components

Click to view similar products for [SIRETTA](#) manufacturer:

Other Similar products are found below :

[ALPHA4A/5M/SMAM/S/S/26](#) [DELTA5A/X/SMAM/S/S/17](#) [OSCAR17/X/TNC/S/S/19](#) [DELTA5A/X/BNCM/S/S/17](#) [SNYPER-LTE-SPECTRUM](#) [ASMA2000F058L13](#) [ASMA2000C058L13](#) [TANGO14/5M/LL/SMAM/S/S/24](#) [TANGO1/1M/FMEF/S/S/4](#) [ASME500F058L13](#) [TANGO3/0.5M/SMAM/S/S/31](#) [TANGO40/X/NTYPEF/S/S/32](#) [QUARTZ-W22-LTE\(EU\)+ACC](#) [ASMA500B174L13](#) [31557](#) [ECHO40/0.1M/UFL/S/S/32](#) [MIKE1A/5M/FMEF/S/S/20](#) [QUARTZ-W22-UMTS\(EU\)+ACC](#) [TANGO11A/2.5M/SMAM/S/S/19](#) [ASMA500F058L13](#) [ZETA-N-UMTS](#) [ECHO11/0.2M/IPEX/S/S/12](#) [ASMA300E174L13](#) [ASMA1000F058L13](#) [DELTA19/X/SMAM/S/S/35](#) [ASMA2000E058L13](#) [ASMZG300F058L13](#) [MIKE3A/5M/SMAM/S/S/17](#) [TANGO15/3M/SMAM/SMAM/S/S/24](#) [TANGO20/3M/SMAM/S/S/26](#) [ASMZG500A058L13](#) [ASMZG1500F058L13](#) [ALPHA1A/2.5M/SMAM/S/S/11](#) [OSCAR40/10M/LL/SMAM/S/S/33](#) [TANGO11A/5M/LL/SMAM/S/S/19](#) [TANGO29/1M/SMAM/RP/S/35](#) [ASME2000F058L13](#) [ASMK015X174S11](#) [LC300-N2-GPRS](#) [DELTA6A/X/SMAM/S/S/11](#) [MIKE1A/2.5M/FMEF/S/S/20](#) [ASMZG1000F058L13](#) [OSCAR41/X/NTYPEF/S/S/29](#) [TANGO22/3M/SMAM/SMAM/SMAM/26](#) [OSCAR420/0.4M/NTYPEF/S/S/19](#) [ASMK010X174S11](#) [ZETA-N2-GPRS](#) [ADAPT/SMAM/RP](#) [OSCAR18/X/NF/S/S/22](#) [TANGO14/3M/SMAM/S/S/24](#)