

ASMRxxxxA058L13

SMA Male to N-Type Male Low Loss Cable

Key Features

- SMA Male to N-Type Male
- LLC200A - Low loss cable
- Cable extension for panel mount outdoor antennas
- Suitable for low RF signal level locations



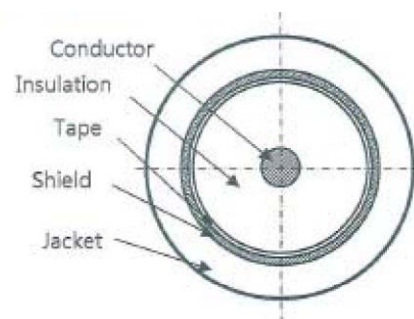
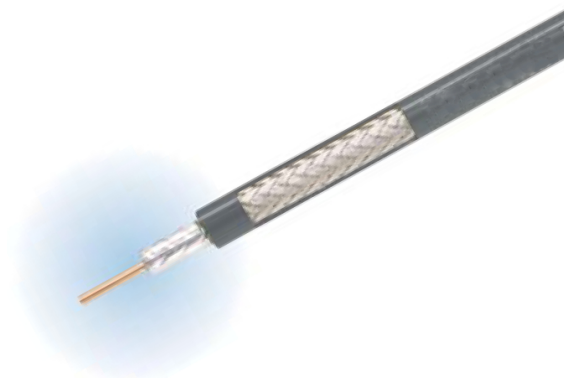
General Description

Connector: SMA Male to N-Type Male

Cable: Loss loss (LLC200A - see specification below)

Cable length: ASMR600A058L13 - 6M
ASMR1000A058L13 - 10M
ASMR1500A058L13 - 15M
ASMR2000A058L13 - 20M

Cable Data



ASMRxxxxA058L13

SMA Male to N-Type Male Low Loss Cable

Cable Construction

Item	Unit		Coaxial Cable
Main conductor:	Diameter:	mm	0.94
	Material:	-	Bare copper wire
Insulation:	Diameter:	mm	2.79
	Material:	-	GAS-FPE
	Colour:	-	Nature
Shield:	Tape:	Material:	-
		Composition:	-
			16 x 4
	Braid:	Diameter:	mm
		Material:	-
			Tinned copper
Jacket:	Diameter:	mm	4.95
	Material:	-	RoHS PVC
	Colour:	-	Black

Electrical Characteristics

Item	Unit	Standard
Conductor resistance:	Ω/km	24.9 ↓
Insulation resistance:	MΩ/km	1000 ↑
Withstanding voltage:	V/Min	1000
Normal impedance:	Ω	50 ± 3
Normal capacitance:	pF/m	83.3

Attenuation v. Frequency

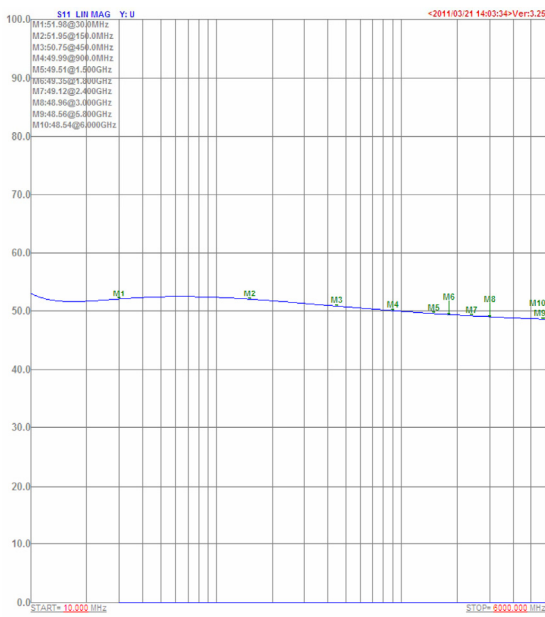
Frequency (MHz)	30	150	450	900	1500	1800	2400	3000
Attenuation dB/100M:	6.5	14.6	25.5	36.5	47.7	52.5	62.4	64.0

ASMRxxxxA058L13

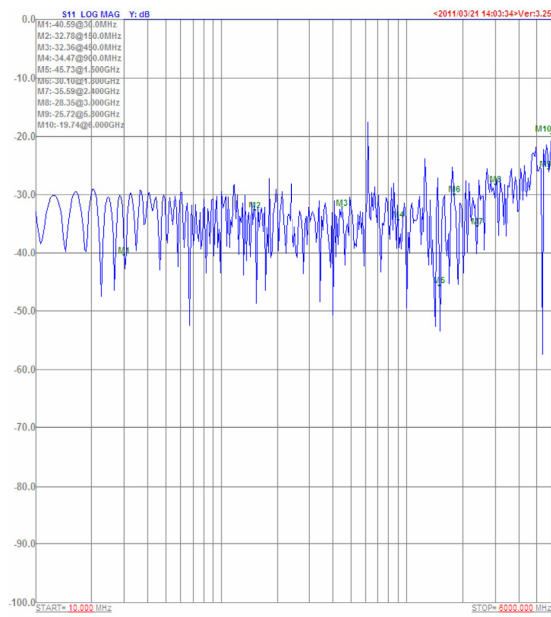
SMA Male to N-Type Male Low Loss Cable

Graphs

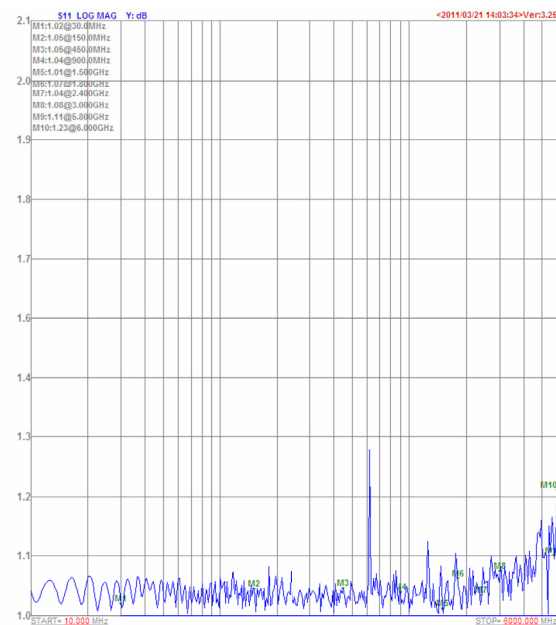
Impedance Result



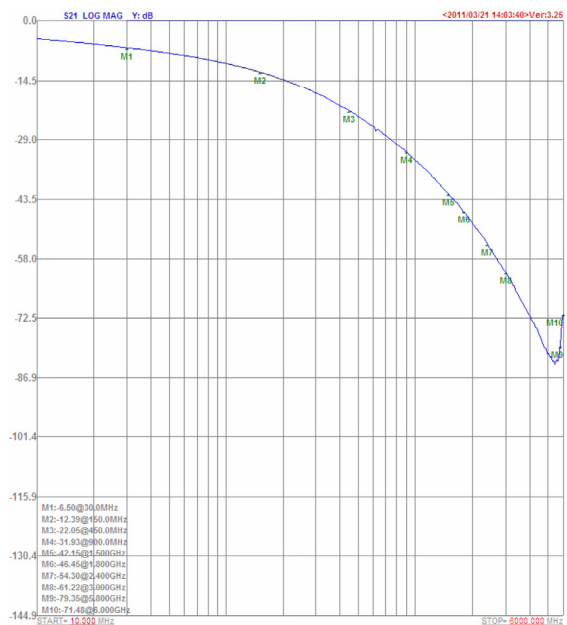
Return Loss Result



SWR Result



Insertion Loss Graphic



X-ON Electronics

Largest Supplier of Electrical and Electronic Components

Click to view similar products for [SIRETTA](#) manufacturer:

Other Similar products are found below :

[ALPHA4A/5M/SMAM/S/S/26](#) [DELTA5A/X/SMAM/S/S/17](#) [OSCAR17/X/TNC/S/S/19](#) [DELTA5A/X/BNCM/S/S/17](#) [SNYPER-LTE-SPECTRUM](#) [ASMA2000F058L13](#) [ASMA2000C058L13](#) [TANGO14/5M/LL/SMAM/S/S/24](#) [TANGO1/1M/FMEF/S/S/4](#) [ASME500F058L13](#) [TANGO3/0.5M/SMAM/S/S/31](#) [TANGO40/X/NTYPEF/S/S/32](#) [QUARTZ-W22-LTE\(EU\)+ACC](#) [ASMA500B174L13](#) [31557](#) [ECHO40/0.1M/UFL/S/S/32](#) [MIKE1A/5M/FMEF/S/S/20](#) [QUARTZ-W22-UMTS\(EU\)+ACC](#) [TANGO11A/2.5M/SMAM/S/S/19](#) [ASMA500F058L13](#) [ZETA-N-UMTS](#) [ECHO11/0.2M/IPEX/S/S/12](#) [ASMA300E174L13](#) [ASMA1000F058L13](#) [DELTA19/X/SMAM/S/S/35](#) [ASMA2000E058L13](#) [ASMZG300F058L13](#) [MIKE3A/5M/SMAM/S/S/17](#) [TANGO15/3M/SMAM/SMAM/S/S/24](#) [TANGO20/3M/SMAM/S/S/26](#) [ASMZG500A058L13](#) [ASMZG1500F058L13](#) [ALPHA1A/2.5M/SMAM/S/S/11](#) [OSCAR40/10M/LL/SMAM/S/S/33](#) [TANGO11A/5M/LL/SMAM/S/S/19](#) [TANGO29/1M/SMAM/RP/S/35](#) [ASME2000F058L13](#) [ASMK015X174S11](#) [LC300-N2-GPRS](#) [DELTA6A/X/SMAM/S/S/11](#) [MIKE1A/2.5M/FMEF/S/S/20](#) [ASMZG1000F058L13](#) [OSCAR41/X/NTYPEF/S/S/29](#) [TANGO22/3M/SMAM/SMAM/SMAM/26](#) [OSCAR420/0.4M/NTYPEF/S/S/19](#) [ASMK010X174S11](#) [ZETA-N2-GPRS](#) [ADAPT/SMAM/RP](#) [OSCAR18/X/NF/S/S/22](#) [TANGO14/3M/SMAM/S/S/24](#)