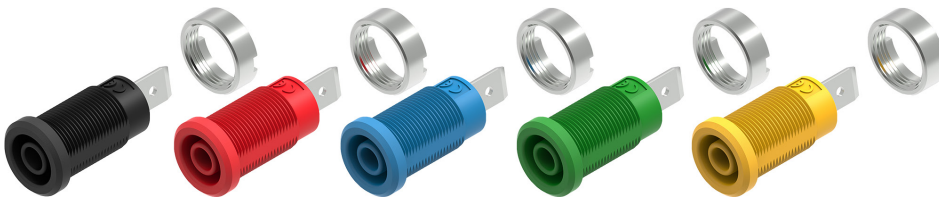


Safety Socket Terminal, 36A, Solder



RoHS
Compliant



Designation

4mm Banana (female) Jack (socket) w/6.3mm (0.25") Male faston terminal. Ideal for panel mounting, round nut fixing.

Applications

Repairing or making of panels or boxes providing heavy duty and safely 4mm banana connections for power supplies, measurements, controls, tests etc.

Characteristics

Electrical Safety

: The design of the socket front face meets the requirements of EN / IEC 61010-031:2008 and the socket design is compatible with EN / IEC 61010-1:2010 for reinforced insulation at 1000V CAT II / 1000V CAT III / 600V CAT IV and 36A (at 40°C)

These specifications come from the creepage distances, clearances, solid insulation, and CTI of the socket. And the considered building and implementation specifications are: insulating panel; pollution degree of the micro-environment, 1 or 2 ; relative humidity of the micro-environment, 80% maximum for temperatures up to 31°C decreasing linearly to 50% relative humidity at 40°C ; temperature range of the micro-environment, +5°C to +40°C ; indoor use; and altitude, 2000m maximum. IP2X (touch-protected) protection on the front face according to EN / IEC 60529.

Operating Temperature

: -20°C to +80°C

Materials

: Conductors: Nickel-coated brass

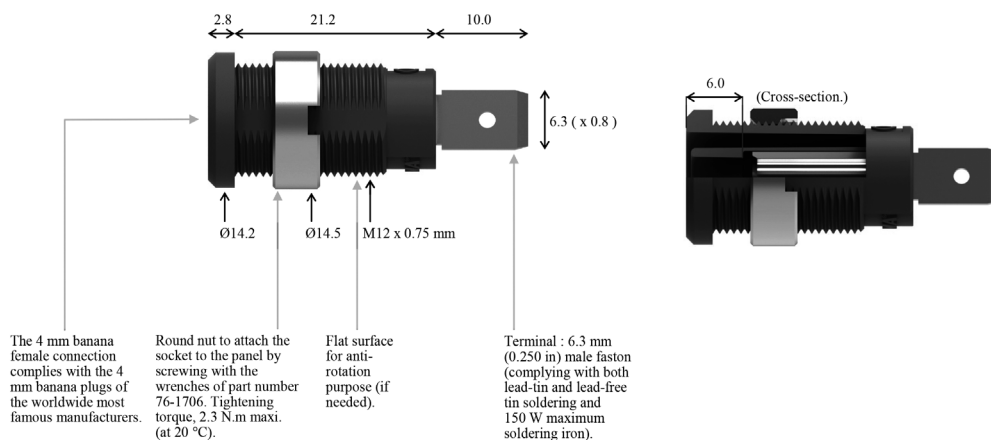
Colour

: Black, Red, Blue, Green & Yellow

Weight

: 0.006 kg

Diagram



Dimensions : Millimetres



Part Number Table

Description	Colour	Part Number
Safety Socket Terminal, 36A, Solder	Black	76-1660
	Red	76-1662
	Blue	76-1492
	Green	76-1494
	Yellow	76-1496

Important Notice : This data sheet and its contents (the "Information") belong to the members of the Premier Farnell group of companies (the "Group") or are licensed to it. No licence is granted for the use of it other than for information purposes in connection with the products to which it relates. No licence of any intellectual property rights is granted. The Information is subject to change without notice and replaces all data sheets previously supplied. The Information supplied is believed to be accurate but the Group assumes no responsibility for its accuracy or completeness, any error in or omission from it or for any use made of it. Users of this data sheet should check for themselves the Information and the suitability of the products for their purpose and not make any assumptions based on information included or omitted. Liability for loss or damage resulting from any reliance on the Information or use of it (including liability resulting from negligence or where the Group was aware of the possibility of such loss or damage arising) is excluded. This will not operate to limit or restrict the Group's liability for death or personal injury resulting from its negligence. Tenma is the registered trademark of the Group. © Premier Farnell Limited 2016.

X-ON Electronics

Authorized Distributor

Click to view similar products for [Tenma manufacturer](#).

Other Similar products are found below :

[2110130UKEU](#) [2110140](#) [2110142](#) [2110144](#) [2110146](#) [2110148](#) [2110150](#) [2110152](#)
[2110154](#) [2110156](#) [2110158](#) [2110160](#) [2110162](#) [2110164](#) [2110168](#) [2110170](#) [211040](#)
[211041](#) [211042](#) [211045](#) [211046](#) [211047](#) [211050](#) [2110562](#) [2110563](#)