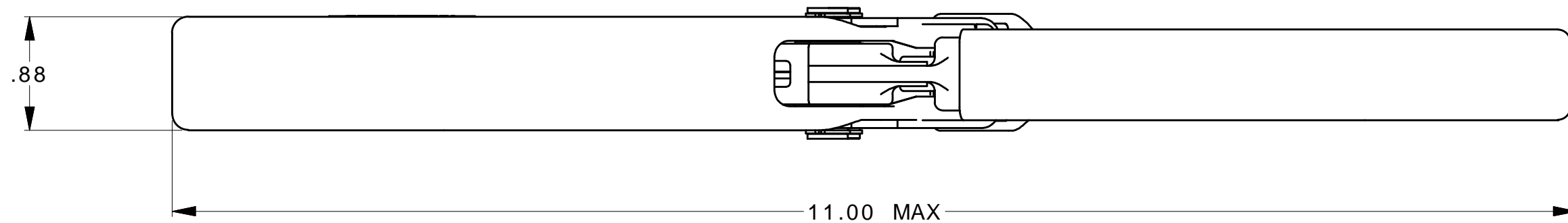
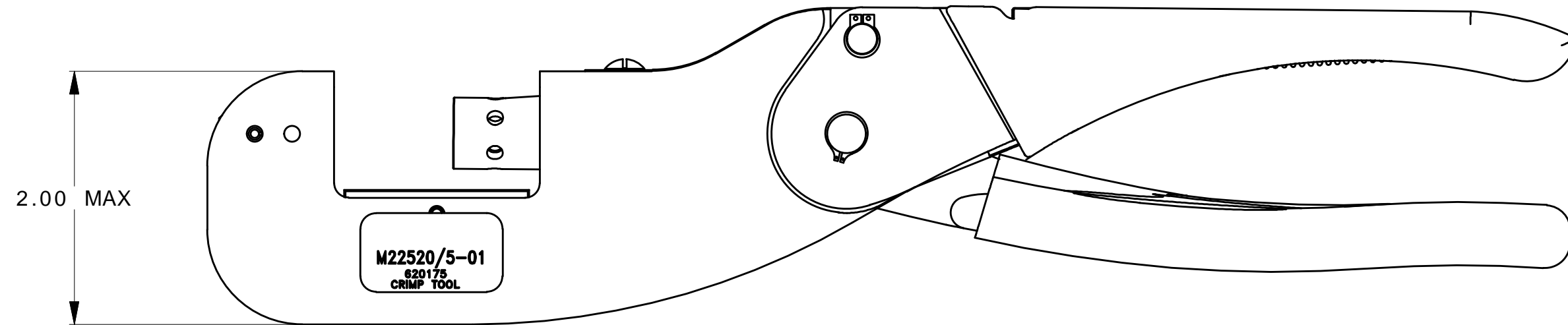


REVISIONS				
REV SYM	ECO NUMBER	DESCRIPTION	BY DATE	APP'D DATE
A		INITIAL RELEASE	MMK 06/09/09	DYO 06/09/09



<p>THESE DRAWINGS, SPECIFICATIONS OR OTHER DATA ARE THE PROPERTY OF ASTRO TOOL CORP. AND MUST BE RETURNED UPON REQUEST. THEY CONTAIN INFORMATION OWNED AND/OR DEVELOPED BY ASTRO AT ITS OWN PRIVATE EXPENSE AND MAY NOT BE USED, DUPLICATED OR DISCLOSED TO OTHERS, IN WHOLE OR IN PART FOR DESIGN, MANUFACTURE, OR PROCUREMENT WITHOUT THE WRITTEN PERMISSION OF ASTR TOOL CORP. EACH AND EVERY TIME.</p> <p>CREATED FROM AN INVENTOR MODEL. CHANGES MUST BE REFLECTED IN THE 3D PART</p> <p>DO NOT SCALE DRAWING</p>	MATERIAL	N/A	ITEM	PART NO.	QTY.	DESCRIPTION/REMARKS
	HEAT TREAT	N/A	DRN.	J.MATTHEWS	DATE	06/09/09
	FINISH	N/A	CHK'D.	DYO	DATE	06/09/09
	TOLERANCE:		APP'D.		DATE	
		ASTRO TOOL CORP.		CAGE 58164		
		21615 S.W. TUALATIN VALLEY HWY., BEAVERTON OR 97006		TITLE		
		ENVELOPE DRAWING HEX DIE CRIMP TOOL REF:M22520/ 5- 01		WHERE USED:		
		SIZE	B	SCALE	1:1	CAD P/N
		POSTING		P/N	C- 620175- ENV	SHEET OF
		620175- ENV		1 OF 1		REV.
		A				

## **X-ON Electronics**

Largest Supplier of Electrical and Electronic Components

*Click to view similar products for [Astro Tool](#) manufacturer:*

Other Similar products are found below :

[AMT23009L](#) [AMT23163L](#) [AMT23B](#) [ATBX 1-8107-20](#) [M22520/2-09](#) [M81969/8-08](#) [AT 2020](#) [ATML 1704B](#) [ATA 1086](#) [M22520/5-01](#)  
[615717](#) [M81969/8-02 RV.B](#) [M81969/8-06 RV.B](#) [ATA 1101](#) [AT 2016](#) [M22520/3-1](#) [MS24256-R16](#) [ATC 2426](#) [ATML 1901B](#) [M22520/7-01](#)  
[M22520/1-04](#) [615708](#) [M22520/2-10](#) [M22520/2-07](#) [M81969/19-06 RV.B](#) [ATML 1906B](#) [M22520/2-01](#) [ATML 1703B](#) [M22520/2-08](#)