


# CAMBLOCK PLUS

## 5mm Pitch Standard Profile Screw Terminal Blocks

PCB  
TERMINAL  
BLOCKS

- 2 & 3 pole interlocking
- Guided pin alignment
- Moulded in UL94-V0 flame retardant PC
- Wire protector terminals
- 1.5mm<sup>2</sup> (22-14AWG)
- Anti solder wicking terminals
-  approved

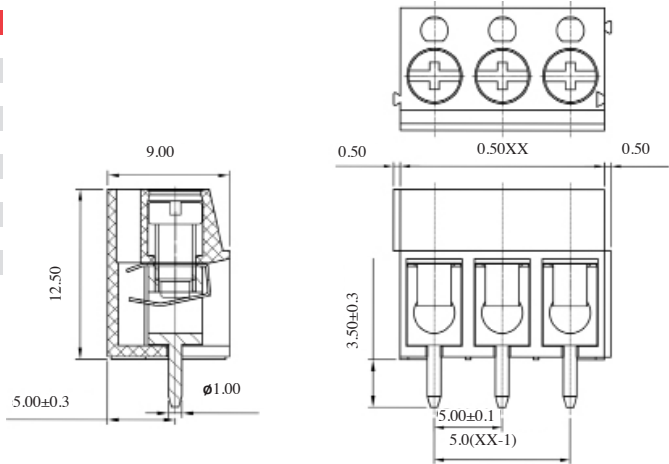
CTBP1000




### SPECIFICATION

Rating	16A/250V
Insulation resistance	500MΩ/500V
Withstand Voltage	AC2000V/1min
Contact Resistance	20mΩ (max)
Working Temperature	-40°C to 105+°C
Mouldings	UL94-V0 Flame retardant PA66
Pin/Terminal	Tin plated brass
Wire Protector	Phosphor bronze, nickel plated
Screw/Torque	M3 Steel, zinc plated 0.5Nm
Recommended PCB hole size	ø1.2mm

TYPE NO.	POLES	LENGTH
CTBP1000/2	2	10mm
CTBP1000/3	3	15mm
CTBP1000/4	4	20mm
CTBP1000/5	5	25mm
CTBP1000/6	6	30mm
CTBP1000/7	7	35mm
CTBP1000/8	8	40mm
CTBP1000/9	9	45mm
CTBP1000/10	10	50mm
CTBP1000/11	11	55mm
CTBP1000/12	12	60mm



## 5mm Pitch Standard Profile 90° Screw Terminal Blocks

- 2 & 3 pole interlocking
- Guided pin alignment
- Moulded in UL94-V0 flame retardant PA66
- Wire protector terminals
- 1.5mm<sup>2</sup> (22-14AWG)
- Anti solder wicking terminals
-  approved

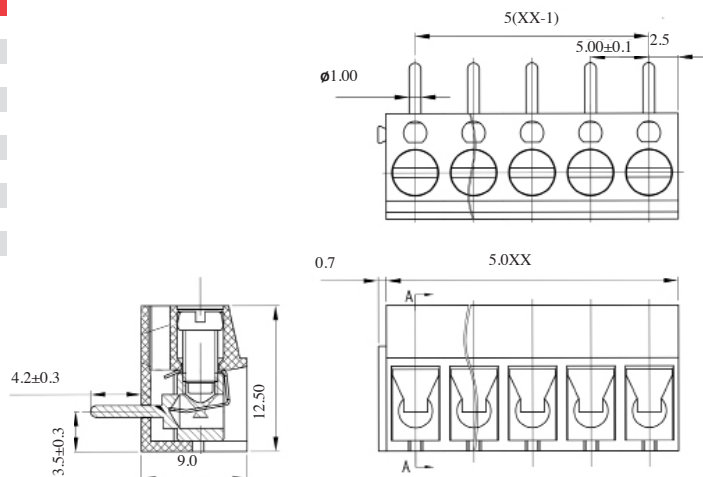
CTBP1050



### SPECIFICATION

Rating	16A/250V
Insulation resistance	500MΩ/500V
Withstand Voltage	AC2000V/1min
Contact Resistance	20mΩ (max)
Working Temperature	-30°C to 120+°C
Mouldings	UL94-V0 Flame retardant PA66
Pin/Terminal	Tin plated brass
Wire Protector	Phosphor bronze, nickel plated
Screw/Torque	M3 Steel, zinc plated 0.5Nm
Recommended PCB hole size	ø1.2mm

TYPE NO.	POLES	LENGTH
CTBP1050/2	2	10mm
CTBP1050/3	3	15mm
CTBP1050/4	4	20mm
CTBP1050/5	5	25mm
CTBP1050/6	6	30mm
CTBP1050/7	7	35mm
CTBP1050/8	8	40mm
CTBP1050/9	9	45mm
CTBP1050/10	10	50mm
CTBP1050/11	11	55mm
CTBP1050/12	12	60mm



## X-ON Electronics

Largest Supplier of Electrical and Electronic Components

*Click to view similar products for [Camden manufacturer](#):*

Other Similar products are found below :

[CCTTR30RD](#) [412689X](#) [CTBP92VE/12R](#) [CTBP9350/12](#) [IND515205-240-T/GRN](#) [IND515205-240-T/RD](#) [CDIC00002](#) [CCTTBES](#)  
[C192SHAND](#) [RX510A](#) [RTM5006/16-PAT](#) [CTB9350/12FL](#) [CTBP9308/6AO](#) [CTBP9358/11](#) [CTBP9208/8](#) [CIME/M/BE2250SS](#)  
[CHH64E1BL](#) [CHD774004](#) [CHHBAT1BK](#) [CFTBN/2](#) [RTM5003/13-NAT](#) [CCB2S1/04](#) [CCM1S1/05](#) [CHDX7-224C](#) [CHDX8-221](#) [CHDX8-222](#) [CHDX8-231C](#) [CHDX810DD](#) [CHDX811DD](#) [CHDX814DD](#) [CTB9300/2A](#) [CTBP92VD/5R](#) [CTBP92VJ/8R](#) [CTSN431/12/M](#)  
[CTSN433/12/M](#) [CUABOX012](#) [CDIC00005](#) [CBRPH-BLK](#) [BIM2004/LUG-GY/GY](#) [RTM5005/15-WH](#) [RTM108-BLK](#) [CNMB/4/KIT](#)  
[CTB5050/5](#) [CTBP9358/10AO](#) [CTBP93VE/9](#) [CHH66C2GY](#) [CIM/9W-DMFS](#) [RTM5006/16-NC-BLK](#) [IND5032405-125-T/AMB](#) [CHTB4/3N](#)