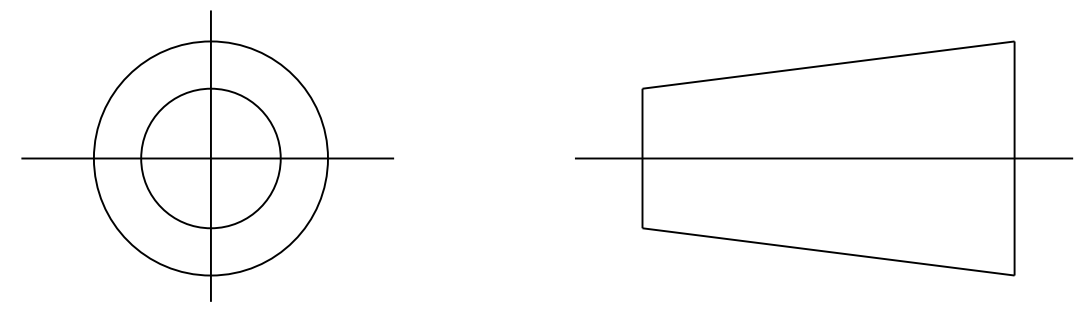


DRAWING No.  
152100

SHT. 1  
OF  
1 SHTS.

© THE COPYRIGHT OF THIS DRAWING IS RESERVED BY HELLERMANN TYTON. IT IS ISSUED ON CONDITION THAT IT IS NOT COPIED, REPRODUCED OR DISCLOSED TO A THIRD PARTY EITHER WHOLLY OR IN PART WITHOUT THE CONSENT IN WRITING OF HELLERMANN TYTON.

THIRD ANGLE PROJECTION

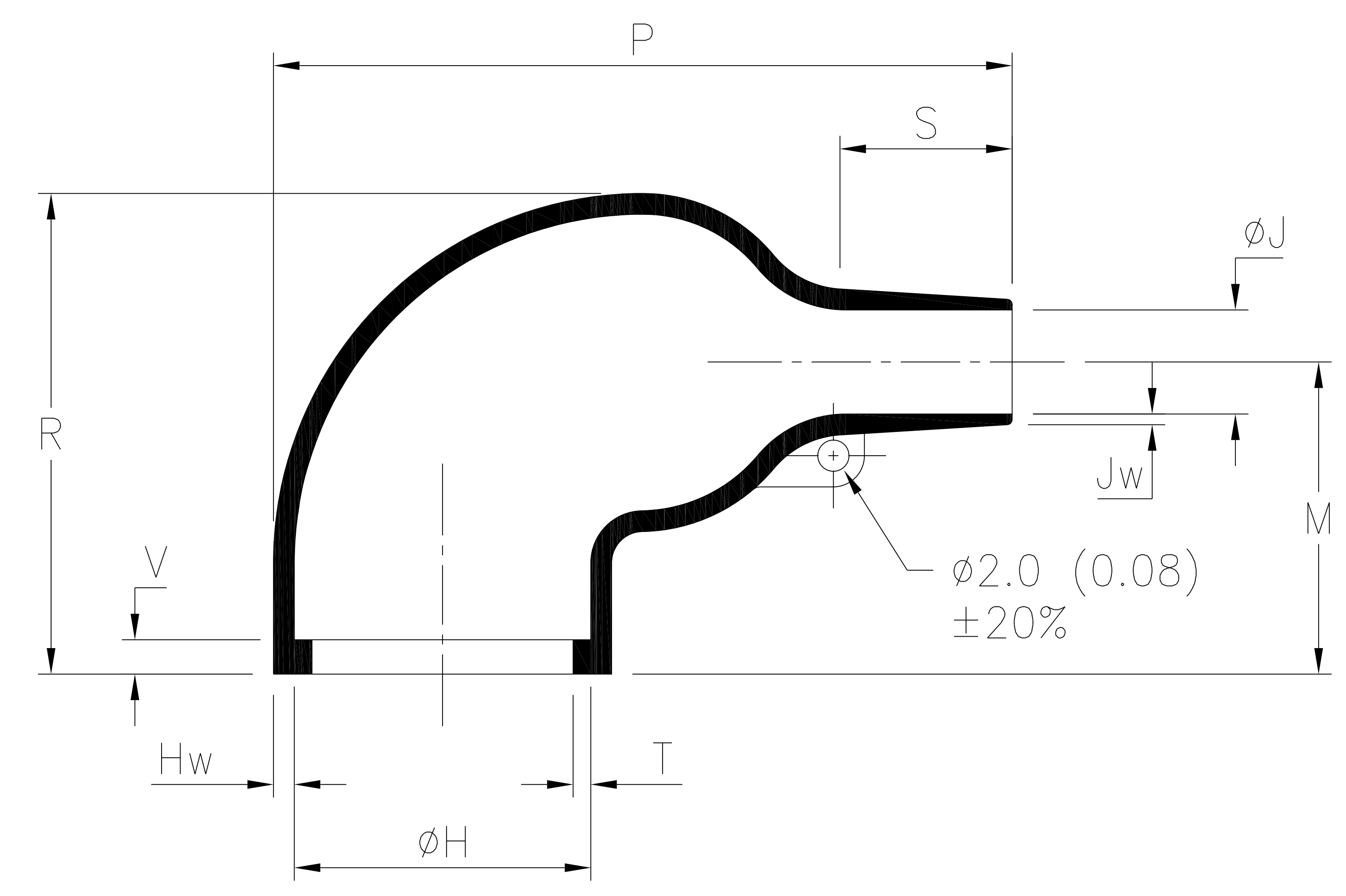


BS 8888

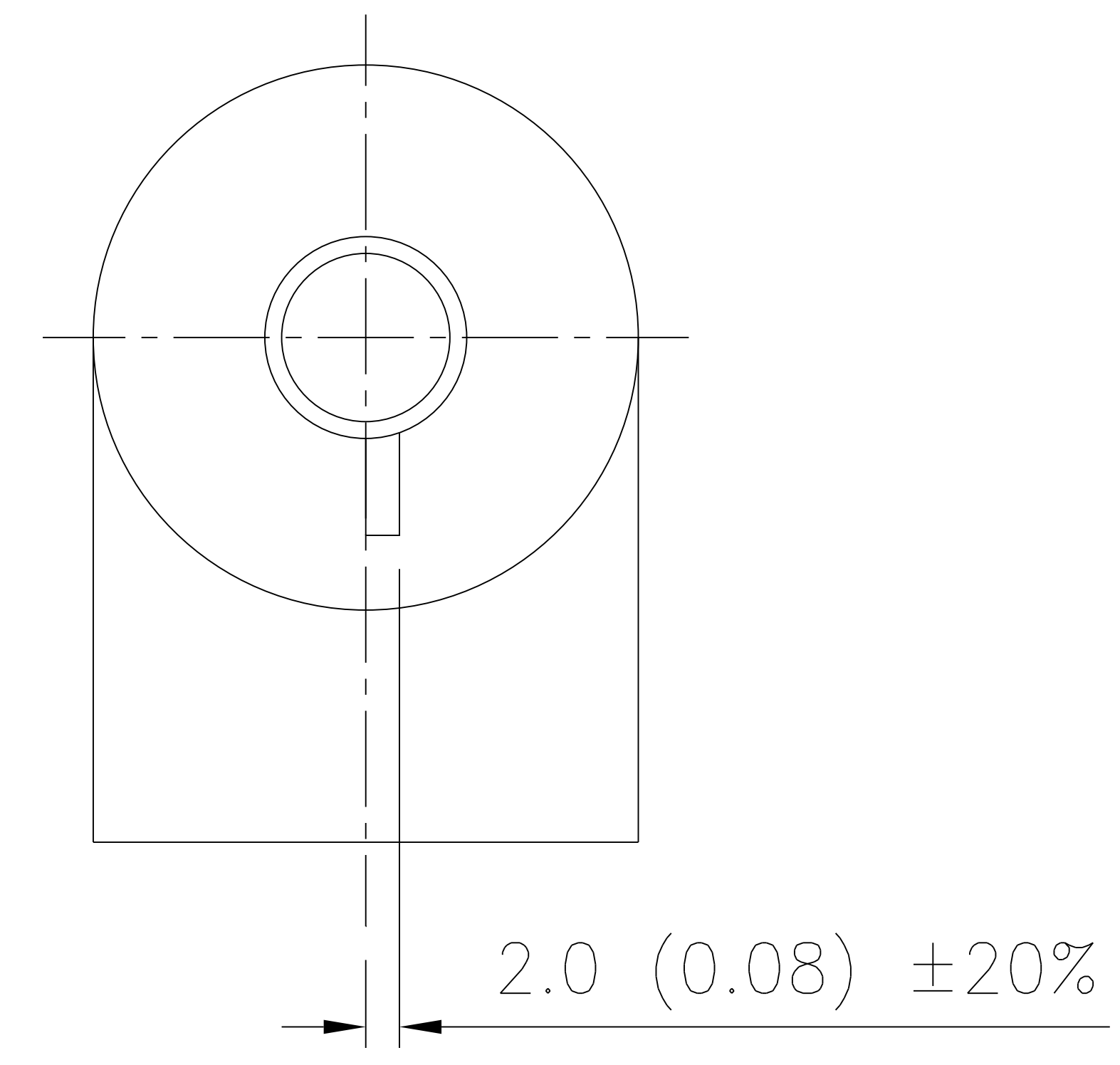
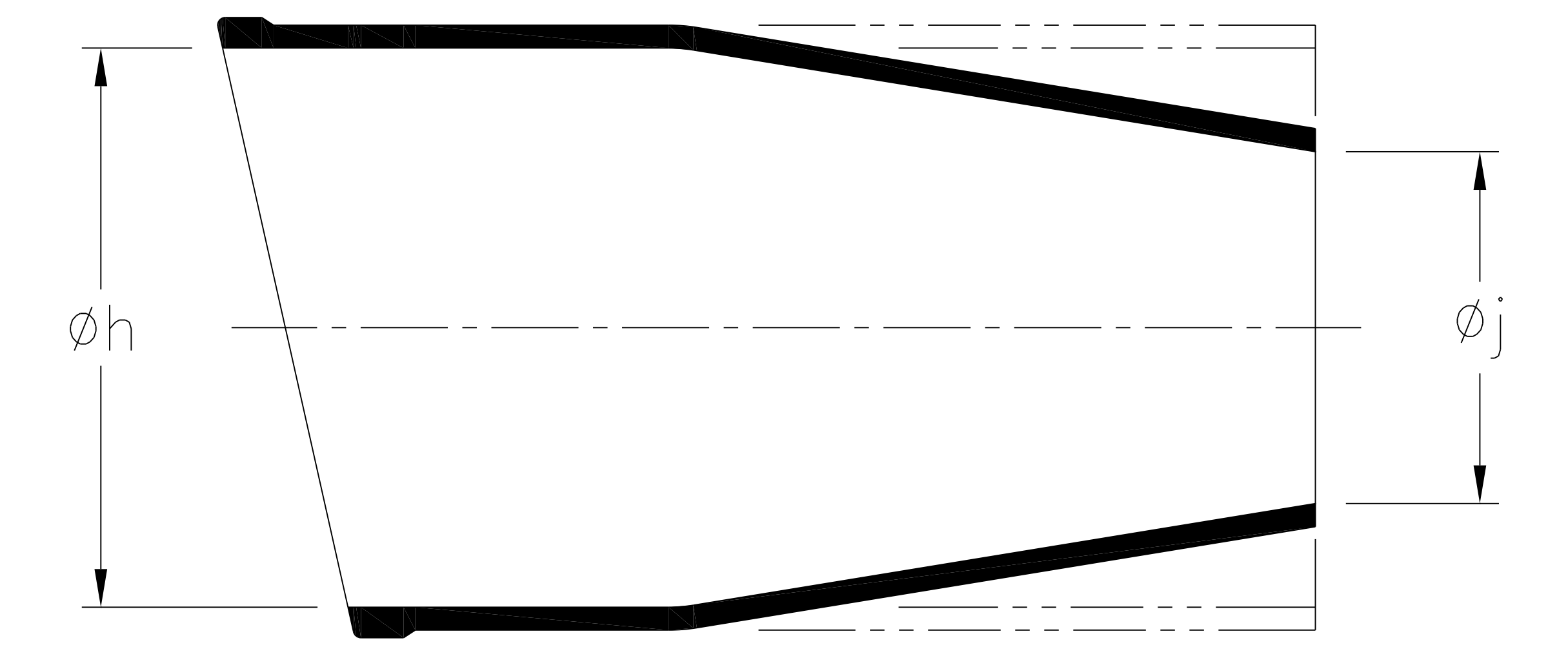
DO NOT SCALE  
IF IN DOUBT ASK

Q.A.	H/S SETT
H/S Q.A.	REL. INSP.
H/S PROD	EXT.ISS.CODE

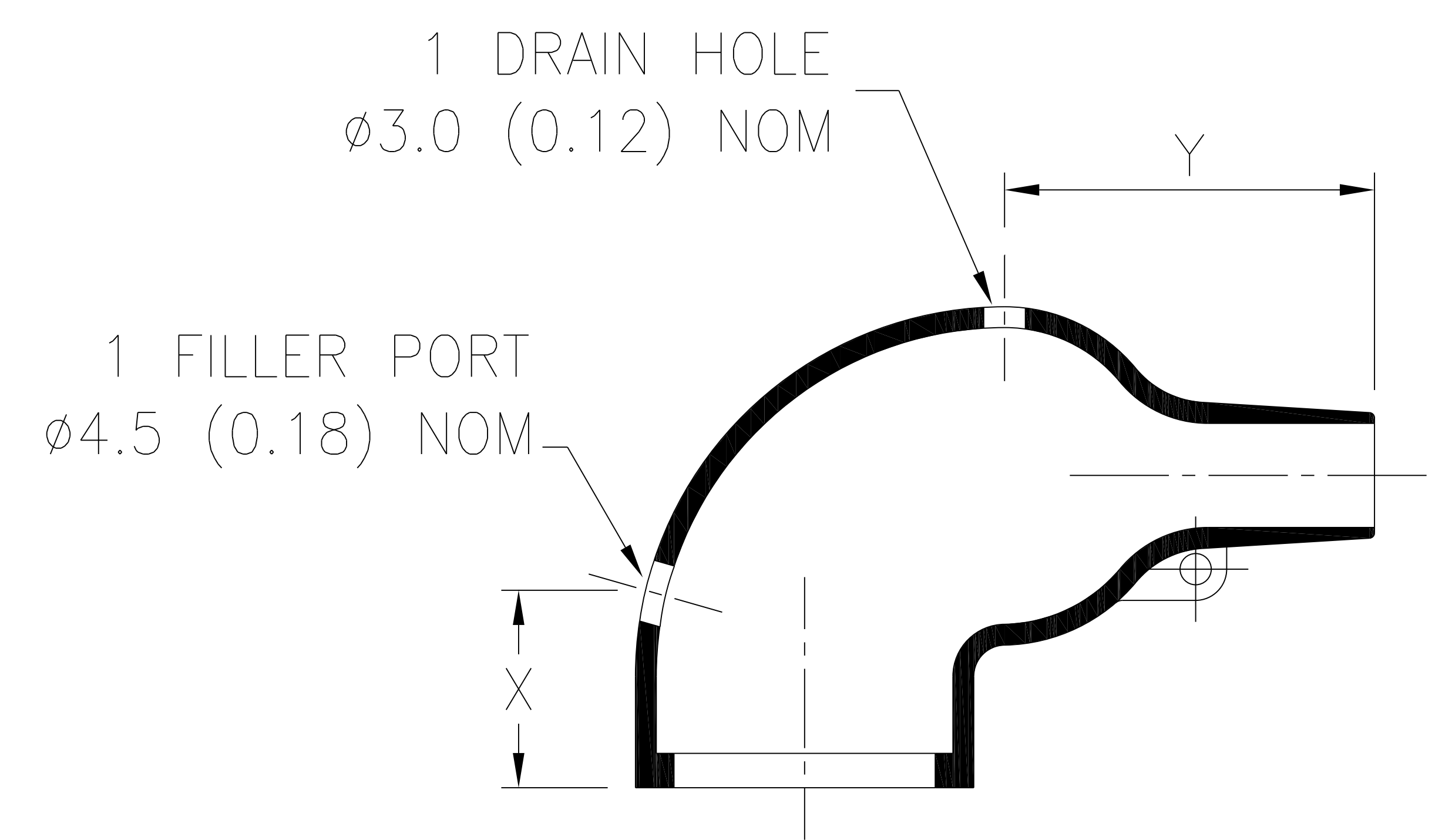
STANDARD PART (AFTER UNRESTRICTED RECOVERY)



EXPANDED (AS SUPPLIED)



OPTION TO STANDARD PART  
FILLER PORT (CODE P)



SPEC.	PART No.	EXPANDED DIAMETERS (AS SUPPLIED)		RECOVERED DIAMETERS		RECOVERED DIMENSIONS							
		phi_h	phi_j	phi_H	phi_J	M	P	R	S	T	V	Hw	Jw
		MIN	MIN	MAX	MAX	NOM	±20%	±10%	NOM	±20%	MAX	±20%	±30%
VG 95343 T06E001A	1152-4	24 (0.94)	24 (0.94)	10.5 (0.41)	6 (0.24)	19 (0.75)	32 (1.26)	25 (0.98)	10 (0.39)	1.0 (0.04)	3.3 (0.13)	1.3 (0.05)	1.0 (0.04)
-	1152-6	24 (0.94)	14 (0.55)	10.5 (0.41)	6 (0.24)	19 (0.75)	32 (1.26)	25 (0.98)	10 (0.39)	1.0 (0.04)	3.3 (0.13)	1.3 (0.05)	1.0 (0.04)
-	1152-50	24 (0.94)	12 (0.47)	10.5 (0.41)	6 (0.24)	19 (0.75)	32 (1.26)	25 (0.98)	10 (0.39)	1.0 (0.04)	3.3 (0.13)	1.3 (0.05)	1.0 (0.04)

OPTIONAL FILLER PORT DETAIL			
SPEC.	PART No.	RECOVERED DIMENSIONS	
		X	Y
		±20%	±20%
VG 95343 T07E001A	1152-4	18 (0.71)	16 (0.63)
-	1152-6	18 (0.71)	16 (0.63)
-	1152-50	18 (0.71)	16 (0.63)

6	P1499	GL	24/02/15
5	P1362	DJC	05/10/11
4	P1329	G.B.	11/10/10
3	P1245	G.B.	08/12/08
2	P1244	G.B.	19/11/08
ISSUE	NOTE No.	DRAWN	DATE

**HellermannTyton**  
William Prance Road,  
Plymouth International Med. & Tech. Park,  
Plymouth, PL6 5WR  
Tel ++44 (0) 1752 701261  
Fax ++44 (0) 1752 790058

NAME	S.Almond	SCALE	NTS	ADHESIVE	A3 ORIGINAL SHEET SIZE 420mm x 297mm	SHT. 1 OF 1 SHTS.
DATE	18/04/08	DIMS IN	mm (in)			
TITLE	RT. ANGLE SLEEVE			PART No.	DRAWING No.	
				1152	152100	

## X-ON Electronics

Largest Supplier of Electrical and Electronic Components

*Click to view similar products for [Hellermann](#) manufacturer:*

Other Similar products are found below :

[111-03250](#) [RSB2](#) [ETST668](#) [T18RPOCKETPAC](#) [217-2B7W1](#) [380-03003](#) [406064A](#) [TSR1I-21](#) [TSR1I-29](#) [TSR1I-33](#) [TSR1I-36](#) [1126-4JW8](#)  
[RSB6](#) [MS3109-12AU](#) [Q30LR-PA66-BK-C1](#) [HWCLIP16 BLACK](#) [RLT150.NB2P](#) [T50IDH0C2](#) [T30MR BLACK](#) [AS45](#) [LPH275 BLACK](#)  
[T120R.RN3P](#) [MK7.9A](#) [181-50840](#) [TWT2](#) [MCTPP50L](#) [MCTPP120R](#) [MBT14H](#) [G51P-A-PE-NA](#) [E4500](#) [TSRI-JB2](#) [SBS2 YELLOW](#) [309-](#)  
[65110](#) [309-65129](#) [309-65214](#) [309-65298](#) [309-65300](#) [309-65105](#) [309-65117](#) [309-65118](#) [309-65164](#) [NGM20-RED](#) [NGM20-WH](#) [H75X25](#)  
[RED](#) [HA67-69.8-11.7](#) [HA67-88.9-17.1](#) [321-50012](#) [HEGPA6614 GREY](#) [HIS-3-9/3-PEX-CL](#) [HIS-3 12/4 CLR](#)