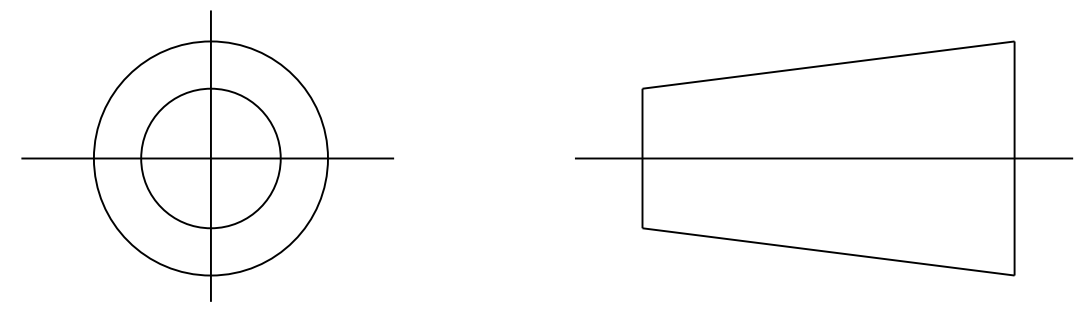


DRAWING No.  
152102

SHT. 1  
OF  
1 SHTS.

© THE COPYRIGHT OF THIS DRAWING IS RESERVED BY HELLERMANN TYTON. IT IS ISSUED ON CONDITION THAT IT IS NOT COPIED, REPRODUCED OR DISCLOSED TO A THIRD PARTY EITHER WHOLLY OR IN PART WITHOUT THE CONSENT IN WRITING OF HELLERMANN TYTON.

THIRD ANGLE PROJECTION

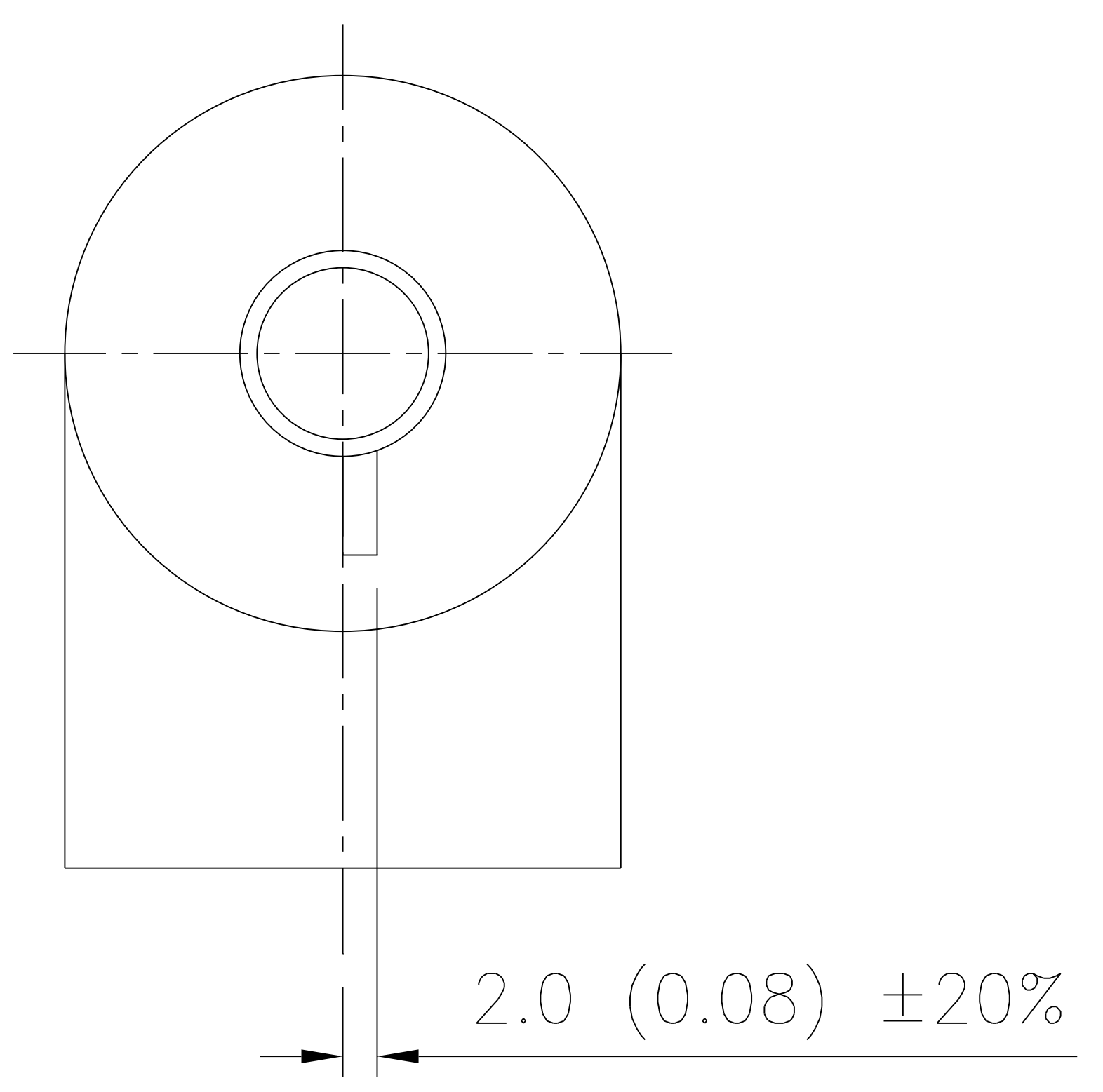
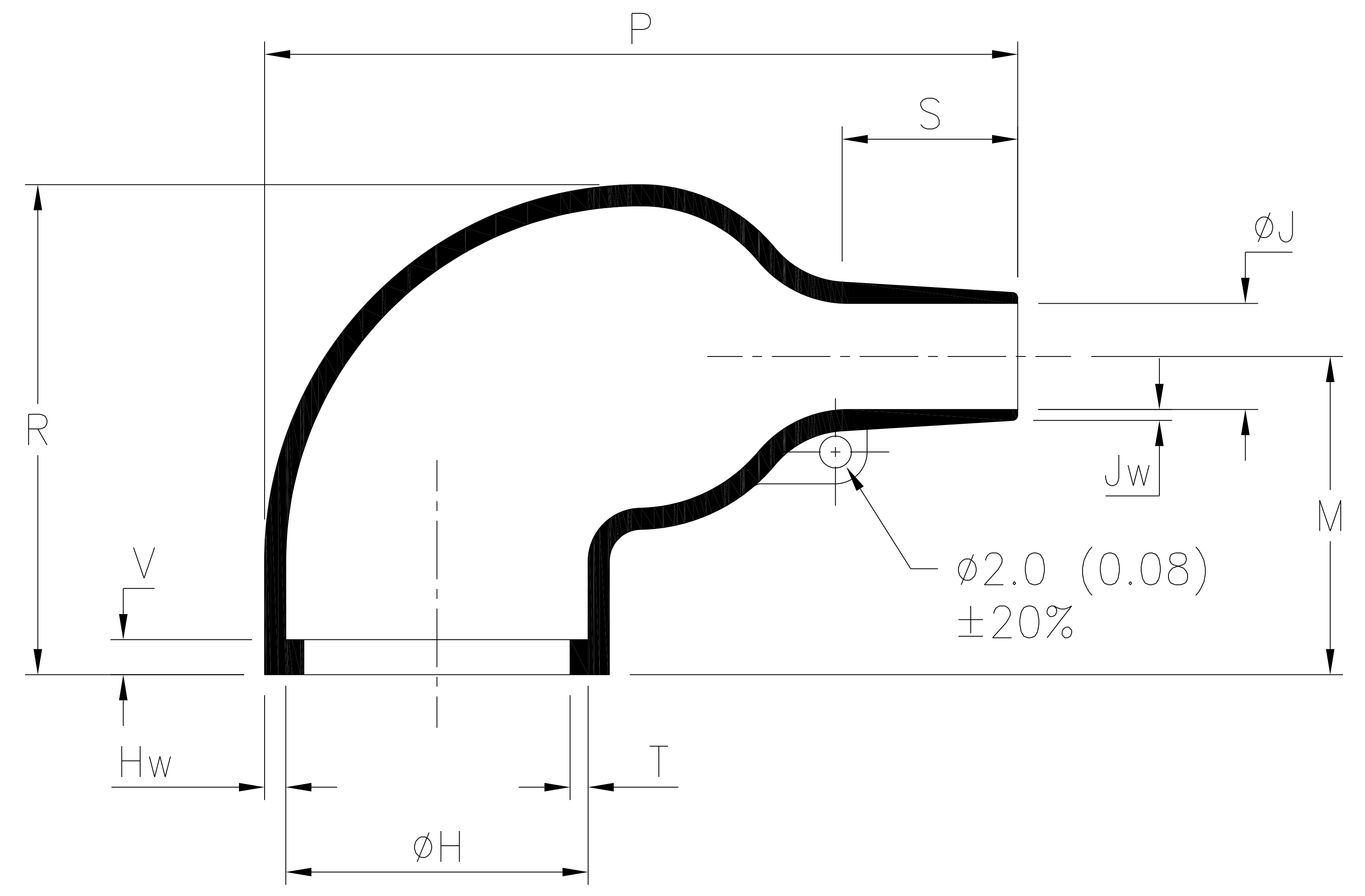


BS 8888

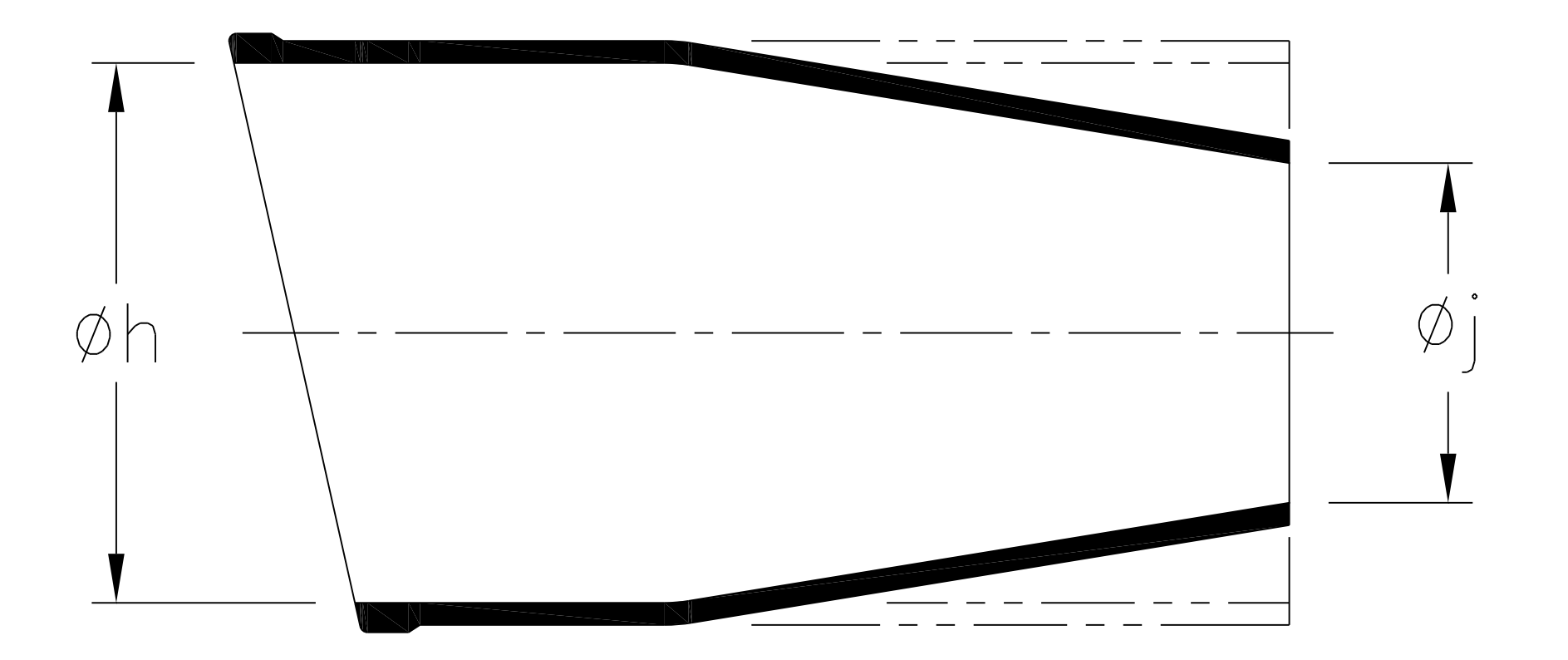
DO NOT SCALE  
IF IN DOUBT ASK

|          |                |
|----------|----------------|
| Q.A.     | H/S SETT       |
| H/S Q.A. | REL. INSP.     |
| H/S PROD | EXT. ISS. CODE |

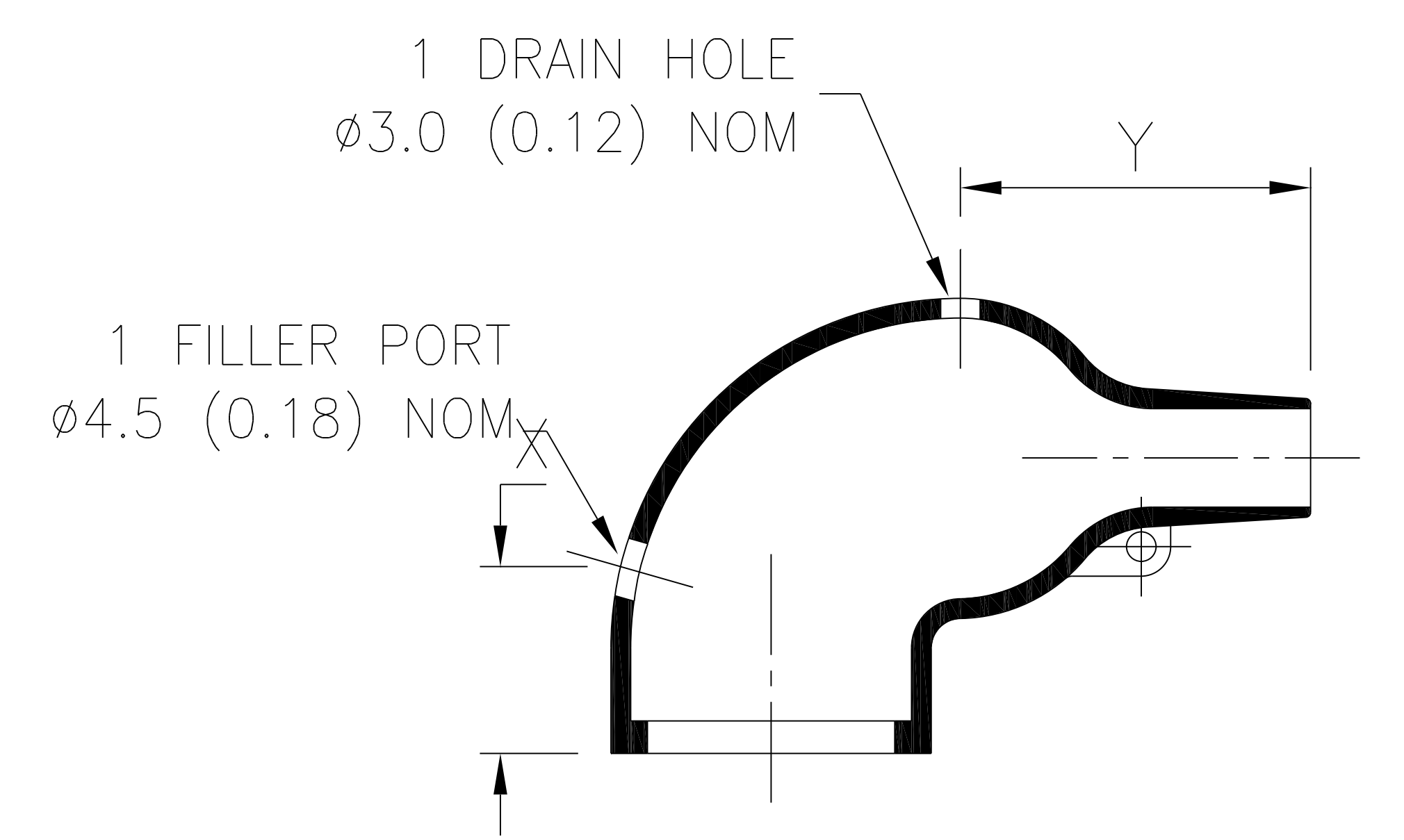
STANDARD PART (AFTER UNRESTRICTED RECOVERY)



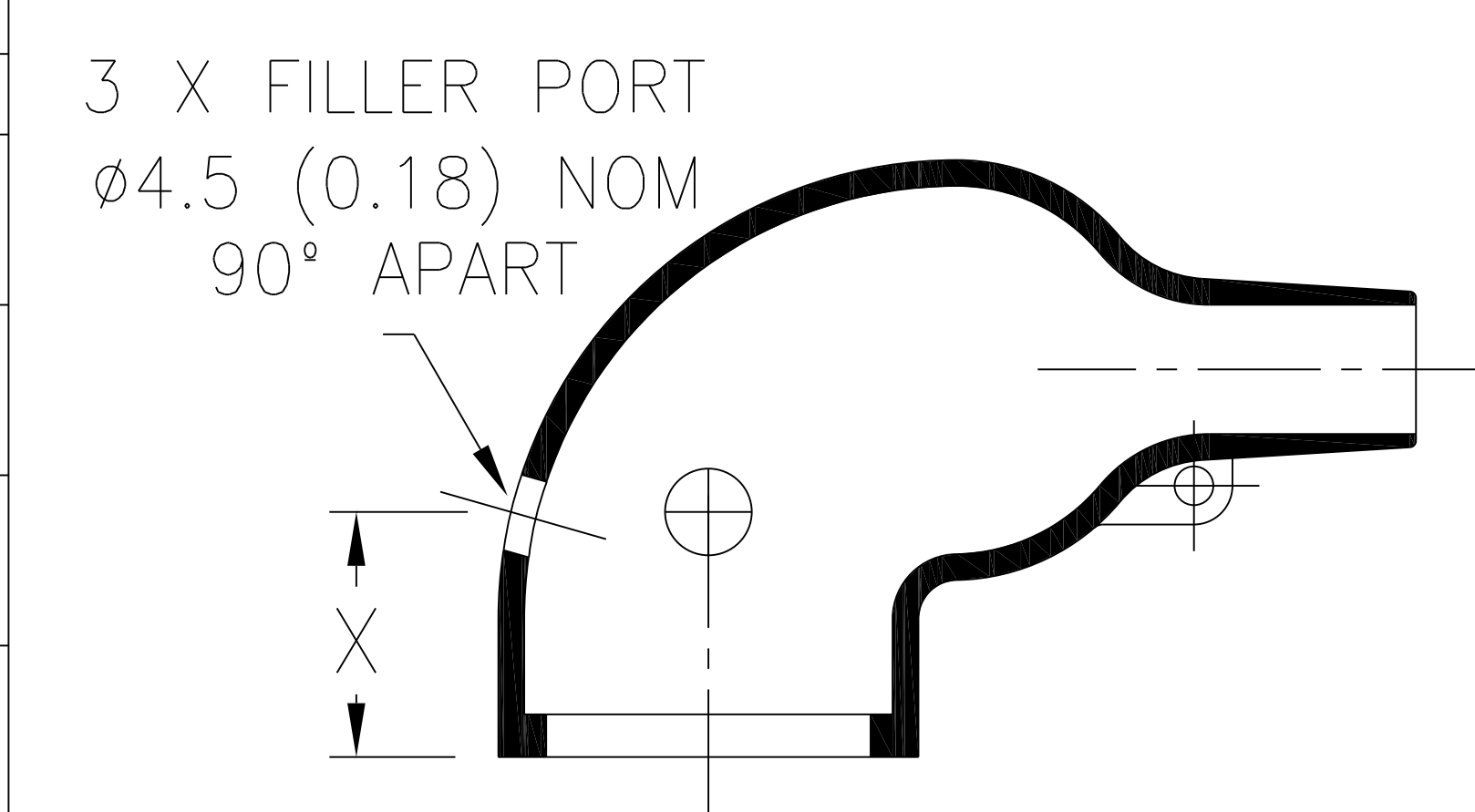
EXPANDED (AS SUPPLIED)



OPTION TO STANDARD PART  
FILLER PORT (CODE P)



OPTION TO STANDARD PART  
DRAIN HOLES (CODE D31)



| SPEC.                | PART No. | EXPANDED DIAMETERS (AS SUPPLIED) |              | RECOVERED DIAMETERS |             | RECOVERED DIMENSIONS |              |              |              |               |               |               |               |
|----------------------|----------|----------------------------------|--------------|---------------------|-------------|----------------------|--------------|--------------|--------------|---------------|---------------|---------------|---------------|
|                      |          | phi_h                            | phi_j        | phi_H               | phi_J       | M                    | P            | R            | S            | T             | V             | Hw            | Jw            |
|                      |          | MIN                              | MIN          | MAX                 | MAX         | NOM                  | ±20%         | ±10%         | NOM          | ±20%          | MAX           | ±20%          | ±30%          |
| VG 95343<br>T06E003A | 1155-4   | 31<br>(1.22)                     | 31<br>(1.22) | 18<br>(0.71)        | 7<br>(0.28) | 21<br>(0.83)         | 51<br>(2.01) | 31<br>(1.22) | 15<br>(0.59) | 1.0<br>(0.04) | 3.3<br>(0.13) | 1.8<br>(0.07) | 1.0<br>(0.04) |
| -                    | 1155-6   | 31<br>(1.22)                     | 18<br>(0.71) | 18<br>(0.71)        | 7<br>(0.28) | 21<br>(0.83)         | 51<br>(2.01) | 31<br>(1.22) | 15<br>(0.59) | 1.0<br>(0.04) | 3.3<br>(0.13) | 1.8<br>(0.07) | 1.0<br>(0.04) |
| -                    | 1155-9   | 35<br>(1.38)                     | 35<br>(1.38) | 18<br>(0.71)        | 7<br>(0.28) | 21<br>(0.83)         | 51<br>(2.01) | 31<br>(1.22) | 15<br>(0.59) | 1.0<br>(0.04) | 3.3<br>(0.13) | 1.8<br>(0.07) | 1.0<br>(0.04) |
| -                    | 1155-50  | 28<br>(1.10)                     | 14<br>(0.55) | 18<br>(0.71)        | 7<br>(0.28) | 21<br>(0.83)         | 51<br>(2.01) | 31<br>(1.22) | 15<br>(0.59) | 1.0<br>(0.04) | 3.3<br>(0.13) | 2.0<br>(0.08) | 1.2<br>(0.06) |

| OPTIONAL FILLER PORT DETAIL (CODE P) |          |                      |              |
|--------------------------------------|----------|----------------------|--------------|
| SPEC.                                | PART No. | RECOVERED DIMENSIONS |              |
|                                      |          | X                    | Y            |
| VG 95343<br>T07E003A                 | 1155-4   | 18<br>(0.71)         | 20<br>(0.79) |
| -                                    | 1155-6   | 18<br>(0.71)         | 20<br>(0.79) |
| -                                    | 1155-9   | 18<br>(0.71)         | 20<br>(0.79) |
| -                                    | 1155-50  | 18<br>(0.71)         | 20<br>(0.79) |

| OPTIONAL FILLER PORT DETAIL (CODE D31) |          |                      |                |
|--|----------|----------------------|----------------|
| SPEC.                                  | PART No. | RECOVERED DIMENSIONS |                |
|  |          | X                    | Y              |
| VG 95343<br>T07E003A                   | 1155-4   | 22.0<br>(0.87)       | 22.0<br>(0.87) |
| -                                      | 1155-6   | 22.0<br>(0.87)       | 22.0<br>(0.87) |
| -                                      | 1155-9   | 22.0<br>(0.87)       | 22.0<br>(0.87) |
| -                                      | 1155-50  | 22.0<br>(0.87)       | 22.0<br>(0.87) |

|       |          |       |          |
|-------|----------|-------|----------|
| 6     | P1499    | GL    | 24/02/15 |
| 5     | P1480    | GB    | 29/09/14 |
| 4     | P1453    | CB    | 01/04/14 |
| 3     | P1362    | DJC   | 05/10/11 |
| 2     | P1329    | G.B.  | 11/10/10 |
| ISSUE | NOTE No. | DRAWN | DATE     |

**HellermannTyton**  
William Prance Road,  
Plymouth International Med. & Tech. Park,  
Plymouth, PL6 5WR  
Tel ++44 (0) 1752 701261  
Fax ++44 (0) 1752 790058

|       |                  |         |            |          |  |                         |
|-------|------------------|---------|------------|----------|--|-------------------------|
| NAME  | S.Almond         | SCALE   | NTS        | ADHESIVE | A3<br>ORIGINAL SHEET SIZE<br>420mm x 297mm | SHT. 1<br>OF<br>1 SHTS. |
| DATE  | 18/04/08         | DIMS IN | mm<br>(in) |          |  |                         |
| TITLE | RT. ANGLE SLEEVE |         | PART No.   | 1155     | DRAWING No.                                | 152102                  |

## X-ON Electronics

Largest Supplier of Electrical and Electronic Components

*Click to view similar products for [Hellermann](#) manufacturer:*

Other Similar products are found below :

[111-03250](#) [RSB2](#) [ETST668](#) [T18RPOCKETPAC](#) [217-2B7W1](#) [380-03003](#) [406064A](#) [TSR1I-21](#) [TSR1I-29](#) [TSR1I-33](#) [TSR1I-36](#) [1126-4JW8](#)  
[RSB6](#) [MS3109-12AU](#) [Q30LR-PA66-BK-C1](#) [HWCLIP16 BLACK](#) [RLT150.NB2P](#) [T50IDH0C2](#) [T30MR BLACK](#) [AS45](#) [LPH275 BLACK](#)  
[T120R.RN3P](#) [MK7.9A](#) [181-50840](#) [TWT2](#) [MCTPP50L](#) [MCTPP120R](#) [MBT14H](#) [G51P-A-PE-NA](#) [E4500](#) [TSRI-JB2](#) [SBS2 YELLOW](#) [309-](#)  
[65110](#) [309-65129](#) [309-65214](#) [309-65298](#) [309-65300](#) [309-65105](#) [309-65117](#) [309-65118](#) [309-65164](#) [NGM20-RED](#) [NGM20-WH](#) [H75X25](#)  
[RED](#) [HA67-69.8-11.7](#) [HA67-88.9-17.1](#) [321-50012](#) [HEGPA6614 GREY](#) [HIS-3-9/3-PEX-CL](#) [HIS-3 12/4 CLR](#)