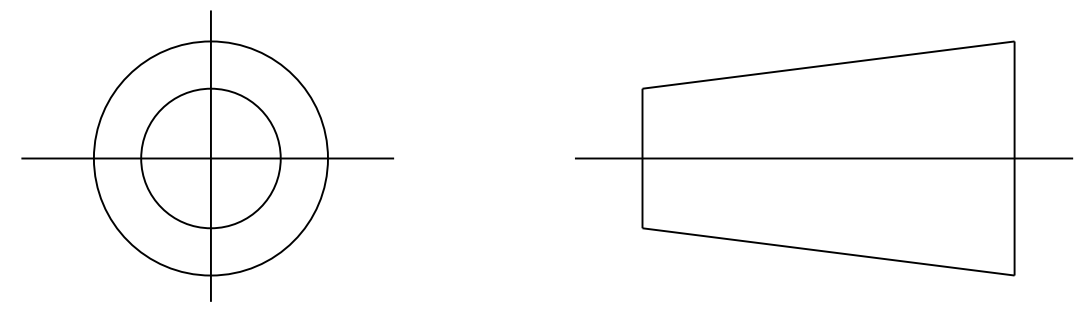


DRAWING No.
152103

SHT. 1
OF
1 SHTS.

© THE COPYRIGHT OF THIS DRAWING IS RESERVED BY HELLERMANN TYTON. IT IS ISSUED ON CONDITION THAT IT IS NOT COPIED, REPRODUCED OR DISCLOSED TO A THIRD PARTY EITHER WHOLLY OR IN PART WITHOUT THE CONSENT IN WRITING OF HELLERMANN TYTON.

THIRD ANGLE PROJECTION

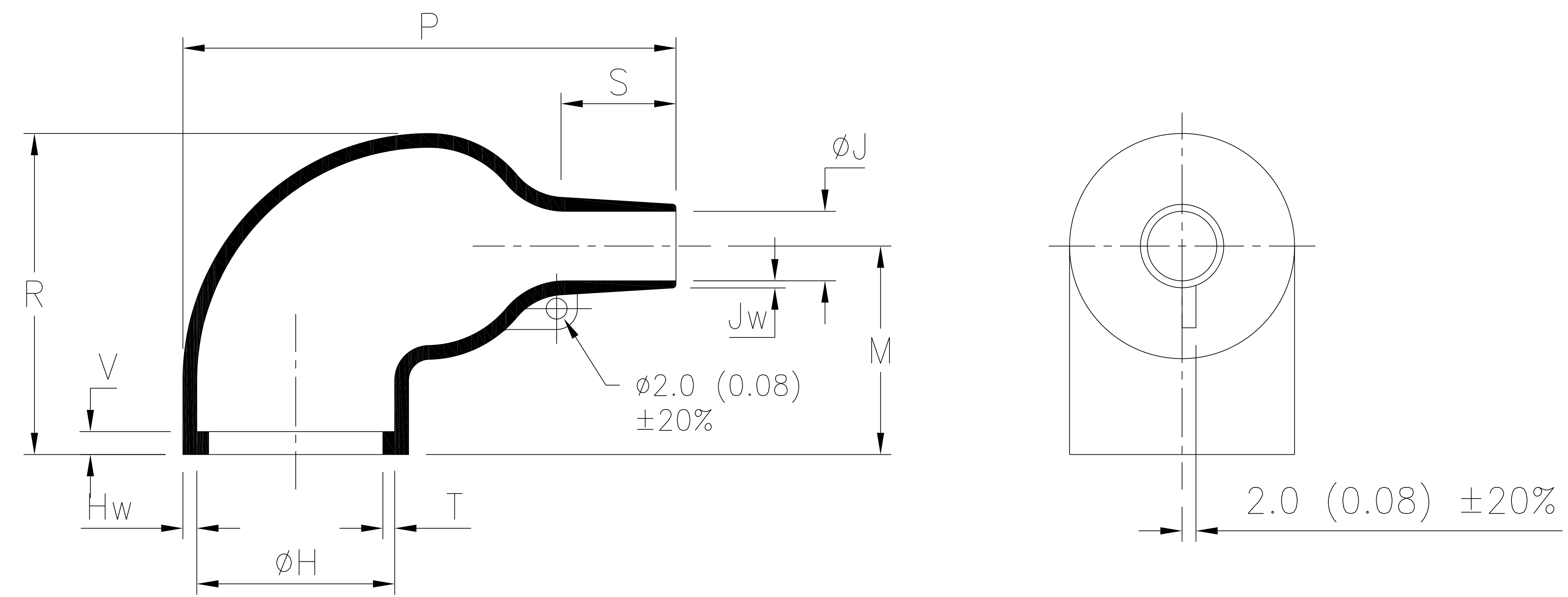


BS 8888

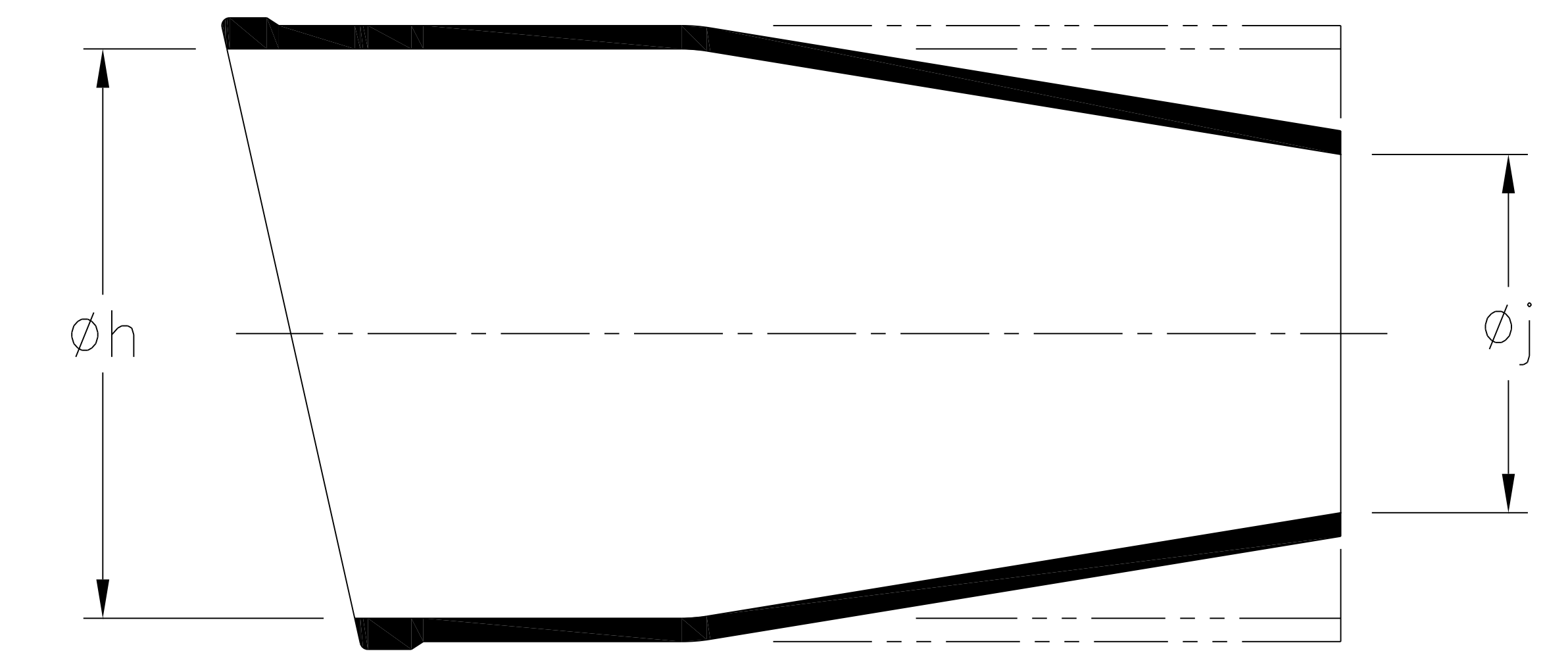
DO NOT SCALE
IF IN DOUBT ASK

Q.A.	H/S SETT
H/S Q.A.	REL. INSP.
H/S PROD	EXT. ISS. CODE

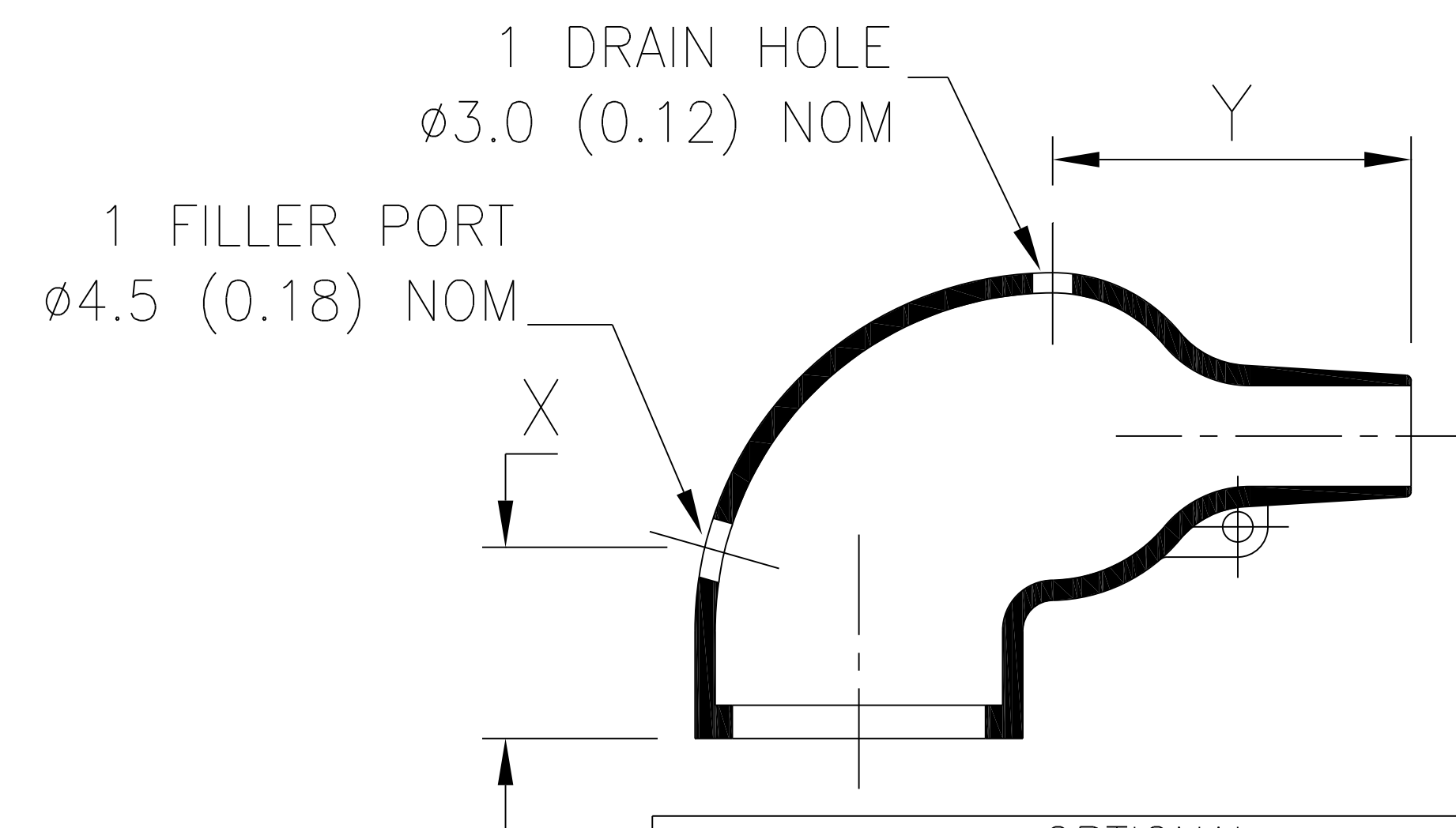
STANDARD PART (AFTER UNRESTRICTED RECOVERY)



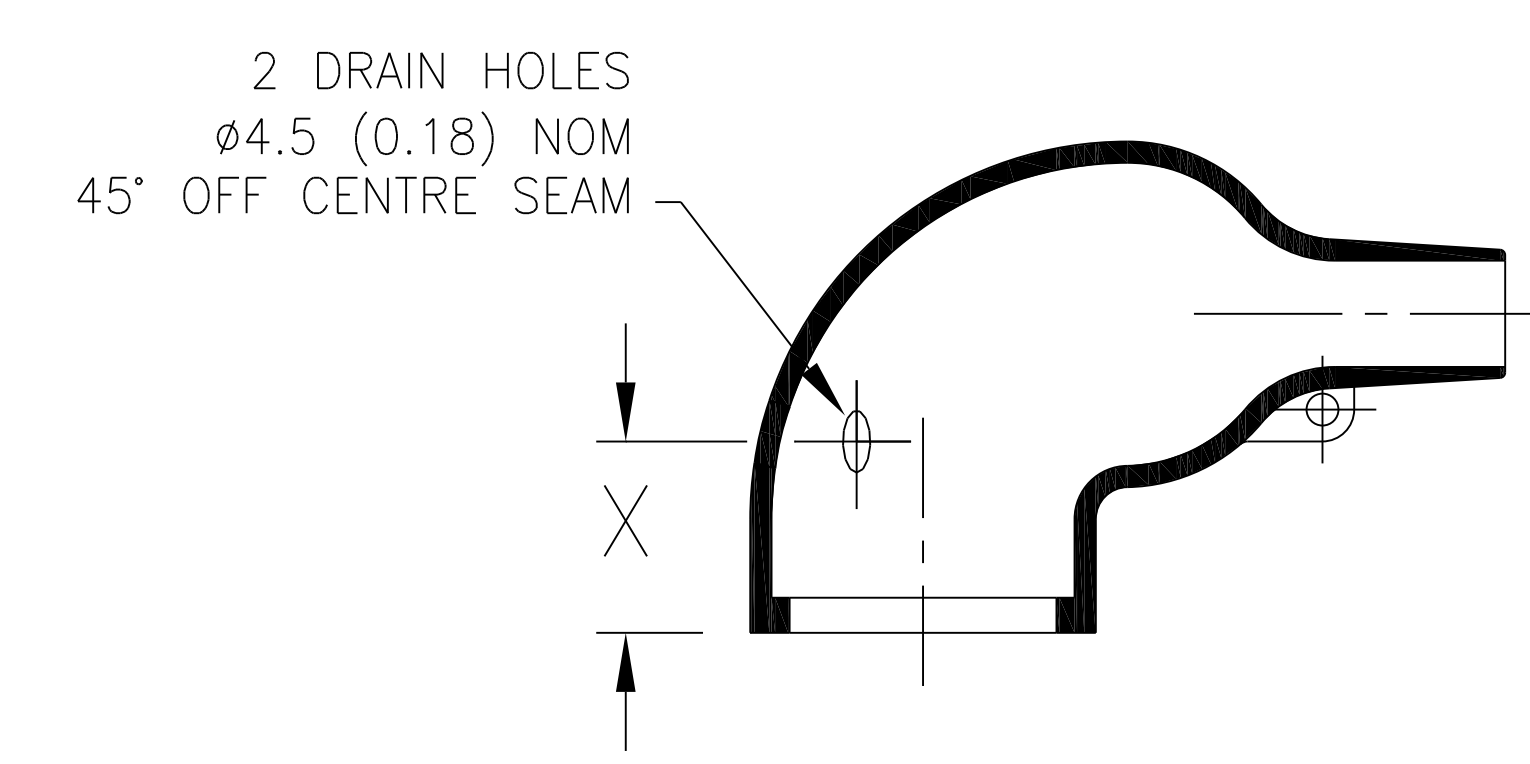
EXPANDED (AS SUPPLIED)



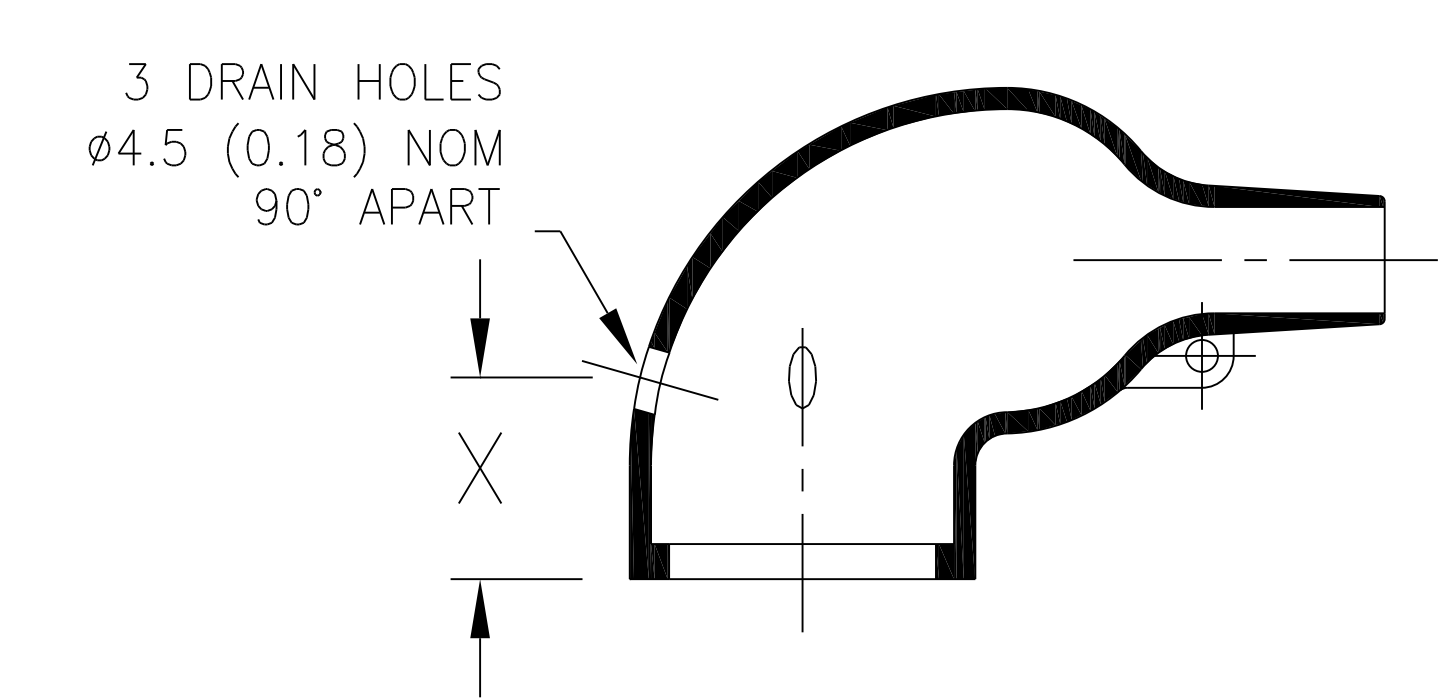
OPTION TO STANDARD PART
FILLER PORT (CODE P)



OPTION TO STANDARD PART
DRAIN HOLES (CODE D2)



OPTION TO STANDARD PART
DRAIN HOLES (CODE D3)



SPEC.	PART No.	EXPANDED DIAMETERS (AS SUPPLIED)		RECOVERED DIAMETERS		RECOVERED DIMENSIONS							
		phi_h	phi_j	phi_H	phi_J	M	P	R	S	T	V	Hw	Jw
		MIN	MIN	MAX	MAX	NOM	±20%	±10%	NOM	±20%	MAX	±20%	±30%
VG 95343 T06E004A	1156-4	36 (1.42)	36 (1.42)	22.5 (0.89)	8.5 (0.33)	26 (1.02)	59 (2.32)	38 (1.50)	15 (0.59)	1.0 (0.04)	3.3 (0.13)	1.8 (0.07)	1.0 (0.04)
-	1156-6	36 (1.42)	21 (0.83)	22.5 (0.89)	8.5 (0.33)	26 (1.02)	59 (2.32)	38 (1.50)	15 (0.59)	1.0 (0.04)	3.3 (0.13)	1.8 (0.07)	1.0 (0.04)
-	1156-50	34 (1.34)	17 (0.67)	22.5 (0.89)	8.5 (0.33)	26 (1.02)	59 (2.32)	38 (1.50)	15 (0.59)	1.0 (0.04)	3.3 (0.13)	2.0 (0.08)	1.3 (0.05)
-	1156-52	34 (1.34)	17 (0.67)	22.5 (0.89)	8.5 (0.33)	26 (1.02)	59 (2.32)	38 (1.50)	15 (0.59)	1.0 (0.04)	3.3 (0.13)	1.8 (0.07)	1.0 (0.04)

OPTIONAL FILLER PORT DETAIL (CODE P)			
SPEC.	PART No.	RECOVERED DIMENSIONS	
		X	Y
VG 95343 T07E004A	1156-4	25 (0.98)	25 (0.98)
-	1156-6	25 (0.98)	25 (0.98)
-	1156-50	25 (0.98)	25 (0.98)
-	1156-52	25 (0.98)	25 (0.98)

OPTIONAL FILLER PORT DETAIL (CODE D2 & D3)		
PART No.	CODE	RECOVERED DIMENSIONS
		X
1156-4	D2/D3	25 (0.98)
1156-6	D2/D3	25 (0.98)
1156-50	D2/D3	25 (0.98)
1156-52	D2/D3	25 (0.98)

5	P1499	GL	24/02/15
4	P1446	GB	14/02/14
3	P1362	DJC	05/10/11
2	P1329	G.B.	11/10/10
1	P1198	S.Almond	18/04/08
ISSUE	NOTE No.	DRAWN	DATE

HellermannTyton
William Prance Road,
Plymouth International Med. & Tech. Park,
Plymouth, PL6 5WR
Tel ++44 (0) 1752 701261
Fax ++44 (0) 1752 790058

NAME	S.Almond	SCALE	NTS	ADHESIVE	A3 ORIGINAL SHEET SIZE 420mm x 297mm	SHT. 1 OF 1 SHTS.
DATE	18/04/08	DIMS IN	mm (in)			
TITLE	RT. ANGLE SLEEVE			PART No.	1156	DRAWING No.
					152103	

X-ON Electronics

Largest Supplier of Electrical and Electronic Components

Click to view similar products for [Hellermann](#) manufacturer:

Other Similar products are found below :

[111-03250](#) [RSB2](#) [ETST668](#) [T18RPOCKETPAC](#) [217-2B7W1](#) [380-03003](#) [406064A](#) [TSR1I-21](#) [TSR1I-29](#) [TSR1I-33](#) [TSR1I-36](#) [1126-4JW8](#)
[RSB6](#) [MS3109-12AU](#) [Q30LR-PA66-BK-C1](#) [HWCLIP16 BLACK](#) [RLT150.NB2P](#) [T50IDH0C2](#) [T30MR BLACK](#) [AS45](#) [LPH275 BLACK](#)
[T120R.RN3P](#) [MK7.9A](#) [181-50840](#) [TWT2](#) [MCTPP50L](#) [MCTPP120R](#) [MBT14H](#) [G51P-A-PE-NA](#) [E4500](#) [TSRI-JB2](#) [SBS2 YELLOW](#) [309-](#)
[65110](#) [309-65129](#) [309-65214](#) [309-65298](#) [309-65300](#) [309-65105](#) [309-65117](#) [309-65118](#) [309-65164](#) [NGM20-RED](#) [NGM20-WH](#) [H75X25](#)
[RED](#) [HA67-69.8-11.7](#) [HA67-88.9-17.1](#) [321-50012](#) [HEGPA6614 GREY](#) [HIS-3-9/3-PEX-CL](#) [HIS-3 12/4 CLR](#)