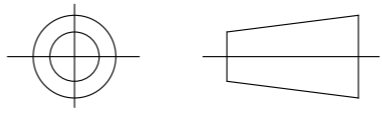


DRAWING No.
152180

SHT. 1
OF
1 SHTS.

© THE COPYRIGHT OF THIS DRAWING IS RESERVED BY HELLERMANN TYTON. IT IS ISSUED ON CONDITION THAT IT IS NOT COPIED, REPRODUCED OR DISCLOSED TO A THIRD PARTY EITHER WHOLLY OR IN PART WITHOUT THE CONSENT IN WRITING OF HELLERMANN TYTON.

THIRD ANGLE PROJECTION

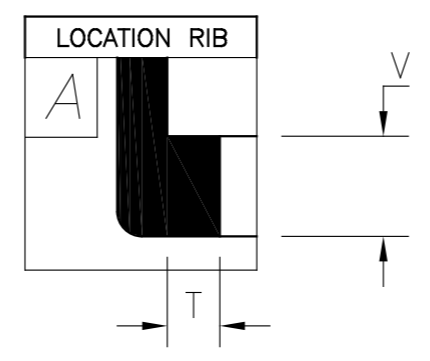
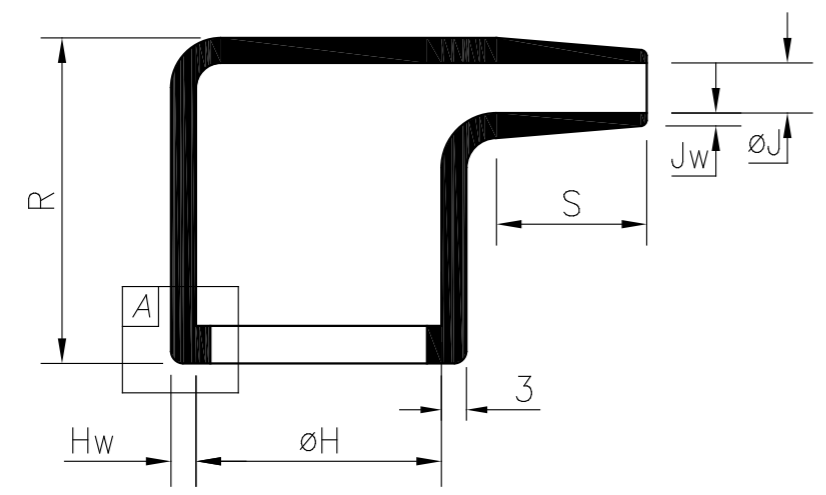


BS 8888

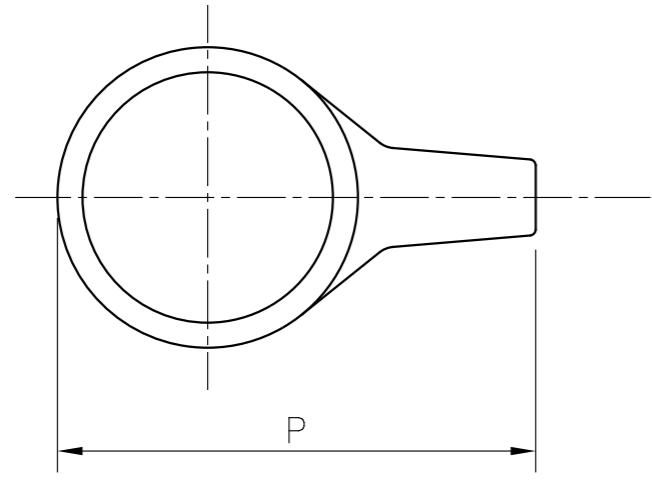
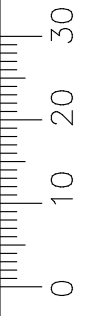
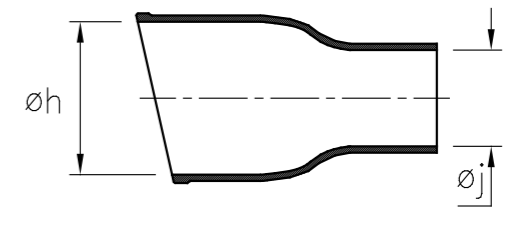
DO NOT SCALE
IF IN DOUBT ASK

Q.A.	H/S SETT
H/S Q.A.	REL. INSP.
H/S PROD	EXT.ISS.CODE

STANDARD PART (AFTER UNRESTRICTED RECOVERY)



EXPANDED (AS SUPPLIED)



PART No.	EXPANDED DIAMETERS (AS SUPPLIED)		RECOVERED DIAMETERS		RECOVERED DIMENSIONS							APPROX. WEIGHT (g)
	øh	øj	øH	øJ	P	R	S	T	V	Hw	Jw	
	MIN	MIN	MAX	MAX	±10%	±10%	±10%	±20%	MAX	±20%	±30%	
1182-4	12.0 (0.47)	6.0 (0.24)	6.6 (0.26)	2.0 (0.08)	16.8 (0.66)	13.0 (0.51)	6.0 (0.24)	0.3 (0.01)	1.5 (0.06)	1.5 (0.06)	0.5 (0.02)	0.4
1182-5	12.0 (0.47)	4.0 (0.16)	6.6 (0.26)	2.0 (0.08)	16.8 (0.66)	13.0 (0.51)	6.0 (0.24)	0.3 (0.01)	1.5 (0.06)	1.5 (0.06)	0.5 (0.02)	0.4

NOTE (1182-4 ONLY)
2.0mm DIAMETER TAIL DIMENSION EXPANDED TO 6.0mm WILL ACCOMODATE MIN & MAX WIRE BUNDLES

MIN - 2.5mm DIA.
MAX - 4.5mm DIA.

5	P1410	G.B.	26/04/13
4	P1274	G.B.	19/05/09
3	P1251	G.B.	07/01/09
2	P1247	G.B.	10/12/08
1	P1201	S.Almond	28/05/08
ISSUE	NOTE No.	DRAWN	DATE

HellermannTyton
William Prance Road,
Plymouth International Med. & Tech. Park,
Plymouth, PL6 5WR
Tel ++44 (0) 1752 701261
Fax ++44 (0) 1752 790058

NAME	S.Almond	SCALE	NTS
DATE	28/05/08	DIMS IN	mm (in)
TITLE	RT. ANGLE BOOT (RIBBED)		

ADHESIVE	A3	SHT. 1
	ORIGINAL SHEET SIZE 420mm x 297mm	OF
PART No.	1182	1 SHTS.
DRAWING No.	152180	

X-ON Electronics

Largest Supplier of Electrical and Electronic Components

Click to view similar products for [Hellermann](#) manufacturer:

Other Similar products are found below :

[111-03250](#) [RSB2](#) [ETST668](#) [T18RPOCKETPAC](#) [217-2B7W1](#) [380-03003](#) [406064A](#) [TSR1I-21](#) [TSR1I-29](#) [TSR1I-33](#) [TSR1I-36](#) [1126-4JW8](#)
[RSB6](#) [MS3109-12AU](#) [Q30LR-PA66-BK-C1](#) [HWCLIP16 BLACK](#) [RLT150.NB2P](#) [T50IDH0C2](#) [T30MR BLACK](#) [AS45](#) [LPH275 BLACK](#)
[T120R.RN3P](#) [MK7.9A](#) [181-50840](#) [TWT2](#) [MCTPP50L](#) [MCTPP120R](#) [MBT14H](#) [G51P-A-PE-NA](#) [E4500](#) [TSRI-JB2](#) [SBS2 YELLOW](#) [309-](#)
[65110](#) [309-65129](#) [309-65214](#) [309-65298](#) [309-65300](#) [309-65105](#) [309-65117](#) [309-65118](#) [309-65164](#) [NGM20-RED](#) [NGM20-WH](#) [H75X25](#)
[RED](#) [HA67-69.8-11.7](#) [HA67-88.9-17.1](#) [321-50012](#) [HEGPA6614 GREY](#) [HIS-3-9/3-PEX-CL](#) [HIS-3 12/4 CLR](#)