

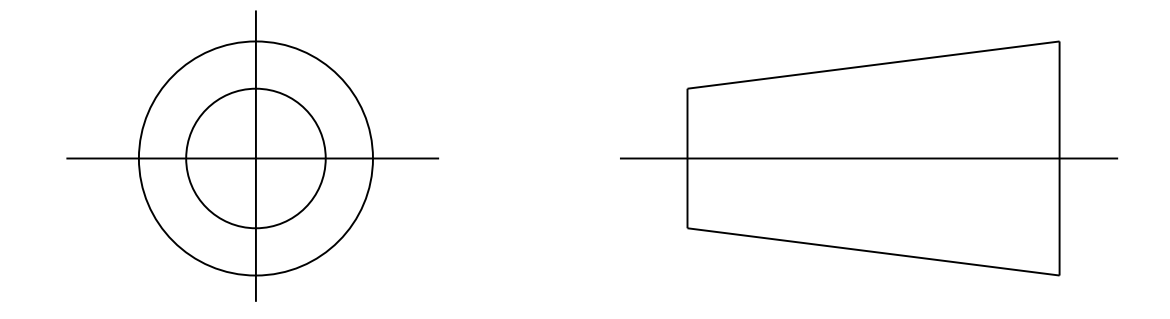
Heatshrinkable Moulded Shapes Bulbous Straight Boots HellermannTyton

DRAWING No.
152083

SHT. 1
OF
1 SHTS.

© THE COPYRIGHT OF THIS DRAWING IS RESERVED BY HELLERMANN TYTON. IT IS ISSUED ON CONDITION THAT IT IS NOT COPIED, REPRODUCED OR DISCLOSED TO A THIRD PARTY EITHER WHOLLY OR IN PART WITHOUT THE CONSENT IN WRITING OF HELLERMANN TYTON.

THIRD ANGLE PROJECTION

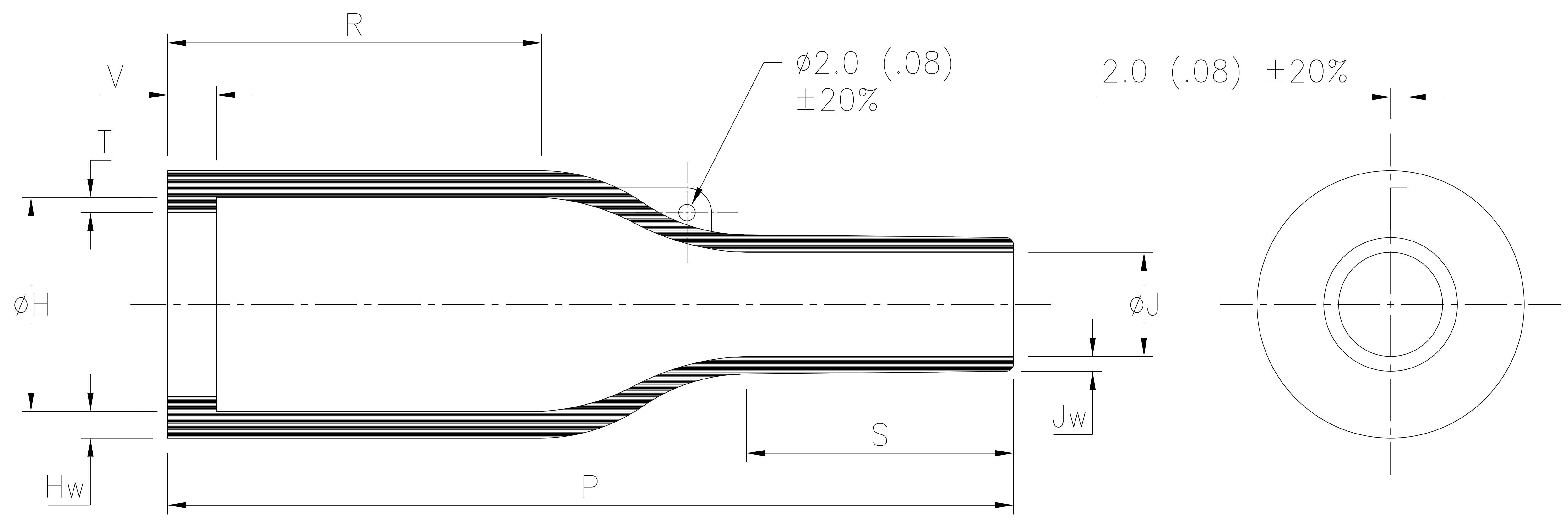


BS 8888

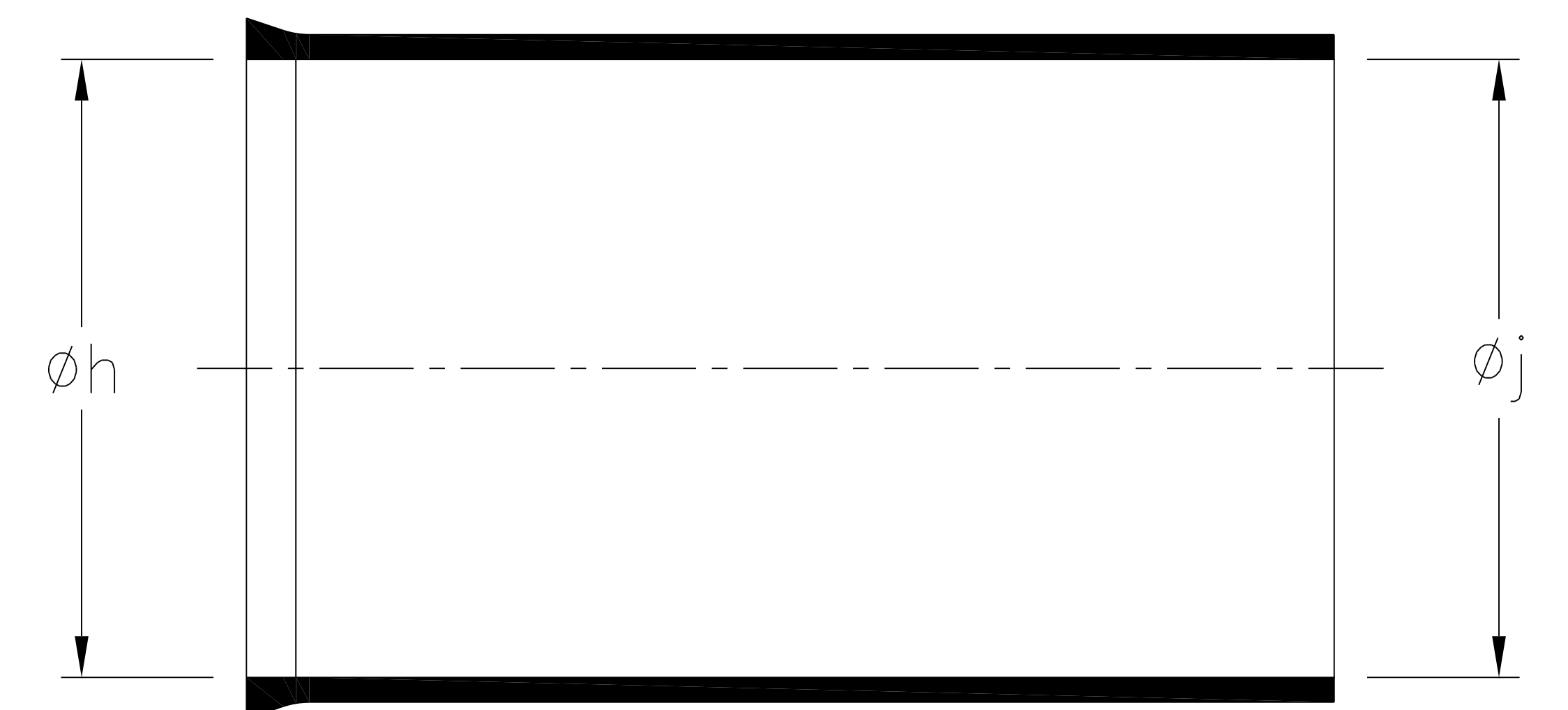
DO NOT SCALE
IF IN DOUBT ASK

Q.A.	H/S SETT
H/S Q.A.	REL. INSP.
H/S PROD	EXT.ISS.CODE

STANDARD PART (AFTER UNRESTRICTED RECOVERY)



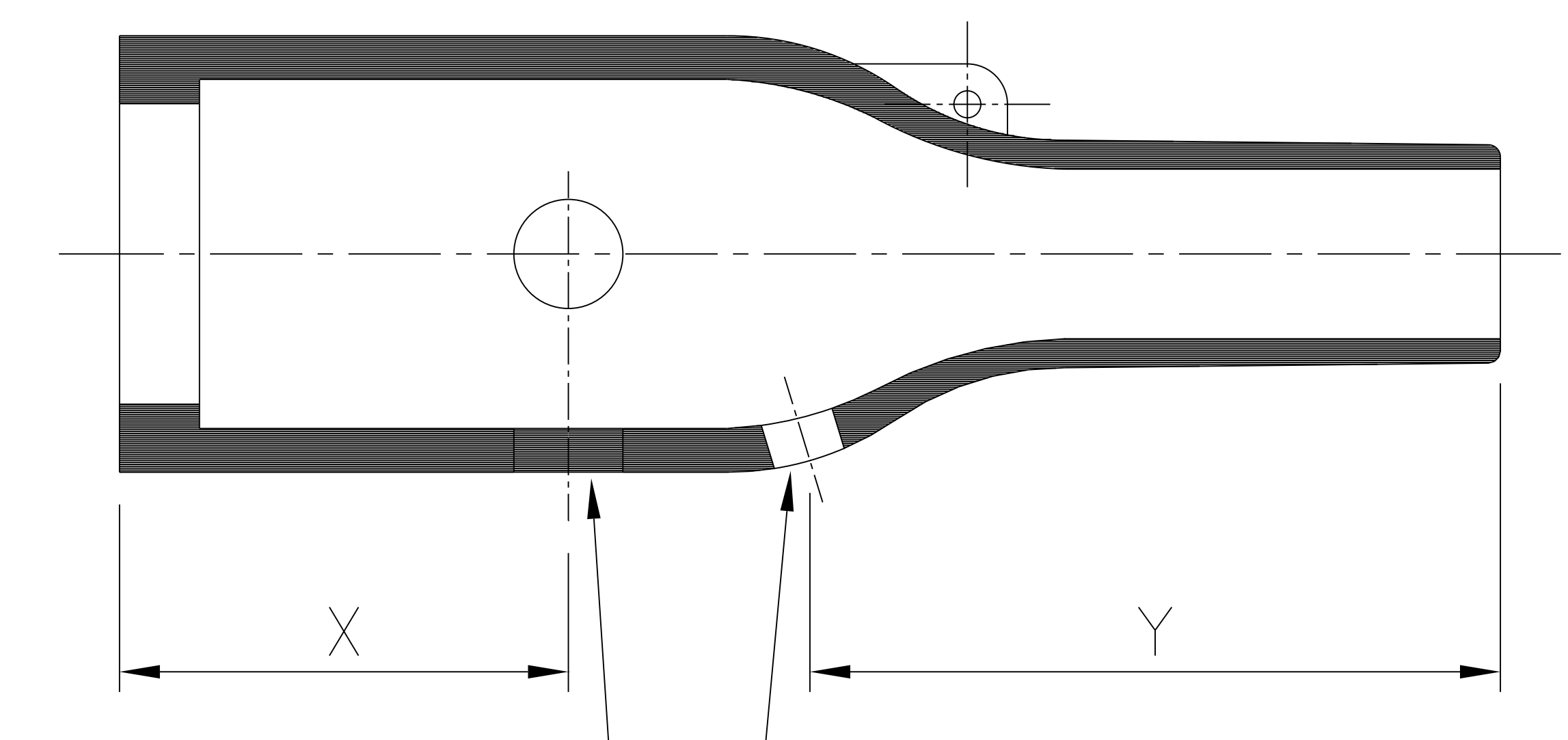
EXPANDED (AS SUPPLIED)



OPTION TO STANDARD PART
FILLER PORT (CODE P)

SPEC.	PART No.	EXPANDED DIAMETERS (AS SUPPLIED)		RECOVERED DIAMETERS		RECOVERED DIMENSIONS						
		ϕh	ϕj	ϕH	ϕJ	P	R	S	T	V	Hw	Jw
		MIN	MIN	MAX	MAX	$\pm 10\%$	NOM	NOM	$\pm 20\%$	MAX	$\pm 20\%$	$\pm 30\%$
VG 95343 T06A001A	152-41	24 (.94)	24 (.94)	10.5 (.41)	6 (.24)	26 (1.02)	9 (.35)	10 (.39)	1.0 (.04)	3.3 (.13)	1.6 (.06)	1.0 (.04)
VG 95343 T06B001A	152-42	24 (.94)	24 (.94)	10.5 (.41)	6 (.24)	38 (1.50)	21 (.83)	10 (.39)	1.0 (.04)	3.3 (.13)	1.6 (.06)	1.0 (.04)
-	152-52	24 (.94)	12 (.47)	10.5 (.41)	6 (.24)	38 (1.50)	21 (.83)	10 (.39)	1.0 (.04)	3.3 (.13)	1.6 (.06)	1.0 (.04)
VG 95343 T29A001A	152-61	24 (.94)	14 (.55)	10.5 (.41)	6 (.24)	26 (1.02)	9 (.35)	10 (.39)	1.0 (.04)	3.3 (.13)	1.6 (.06)	1.0 (.04)
VG 95343 T29B001A	152-62	24 (.94)	14 (.55)	10.5 (.41)	6 (.24)	38 (1.50)	21 (.83)	10 (.39)	1.0 (.04)	3.3 (.13)	1.6 (.06)	1.0 (.04)

OPTIONAL FILLER PORT DETAIL			
SPEC.	PART No.	RECOVERED DIMENSIONS	
		X	Y
		$\pm 20\%$	$\pm 20\%$
VG 95343 T07A001A	152-41	12 (.47)	13 (.51)
VG 95343 T07B001A	152-42	19 (.75)	24 (.94)
-	152-52	19 (.75)	24 (.94)
-	152-61	12 (.47)	13 (.51)
-	152-62	19 (.75)	24 (.94)



1 FILLER PORT
 $\phi 4.5$ NOM (.18)
1 DRAIN HOLE
 $\phi 3.0$ NOM (.12)
FILLER PORT AND DRAIN HOLE
STAGGERED BY $90^\circ \pm 20^\circ$

Heatshrinkable Moulded Shapes Bulbous Straight Boots HellermannTyton

For information only, not subject to technical changes.

6	P1499	GL	24/02/15
5	P1358	JFR	09/09/11
4	P1329	G.B.	11/10/10
3	P1246	G.B.	08/12/08
2	P1244	G.B.	19/11/08
ISSUE	NOTE No.	DRAWN	DATE

HellermannTyton
William Prance Road,
Plymouth International Med. & Tech. Park,
Plymouth, PL6 5WR
Tel +44 (0) 1752 701261
Fax +44 (0) 1752 790058

NAME	S.Almond	SCALE	NTS
DATE	14/04/08	DIMS IN	mm (in)
TITLE	BOTTLE SLEEVE		

ADHESIVE	A3	SHT. 1
	ORIGINAL SHEET SIZE 420mm x 297mm	OF 1 SHTS.
PART No.	152	DRAWING No.
		152083

X-ON Electronics

Largest Supplier of Electrical and Electronic Components

Click to view similar products for [Hellermann](#) manufacturer:

Other Similar products are found below :

[111-03250](#) [RSB2](#) [ETST668](#) [T18RPOCKETPAC](#) [217-2B7W1](#) [380-03003](#) [406064A](#) [TSR1I-21](#) [TSR1I-29](#) [TSR1I-33](#) [TSR1I-36](#) [1126-4JW8](#)
[RSB6](#) [MS3109-12AU](#) [Q30LR-PA66-BK-C1](#) [HWCLIP16 BLACK](#) [RLT150.NB2P](#) [T50IDH0C2](#) [T30MR BLACK](#) [AS45](#) [LPH275 BLACK](#)
[T120R.RN3P](#) [MK7.9A](#) [181-50840](#) [TWT2](#) [MCTPP50L](#) [MCTPP120R](#) [MBT14H](#) [G51P-A-PE-NA](#) [E4500](#) [TSRI-JB2](#) [SBS2 YELLOW](#) [309-](#)
[65110](#) [309-65129](#) [309-65214](#) [309-65298](#) [309-65300](#) [309-65105](#) [309-65117](#) [309-65118](#) [309-65164](#) [NGM20-RED](#) [NGM20-WH](#) [H75X25](#)
[RED](#) [HA67-69.8-11.7](#) [HA67-88.9-17.1](#) [321-50012](#) [HEGPA6614 GREY](#) [HIS-3-9/3-PEX-CL](#) [HIS-3 12/4 CLR](#)