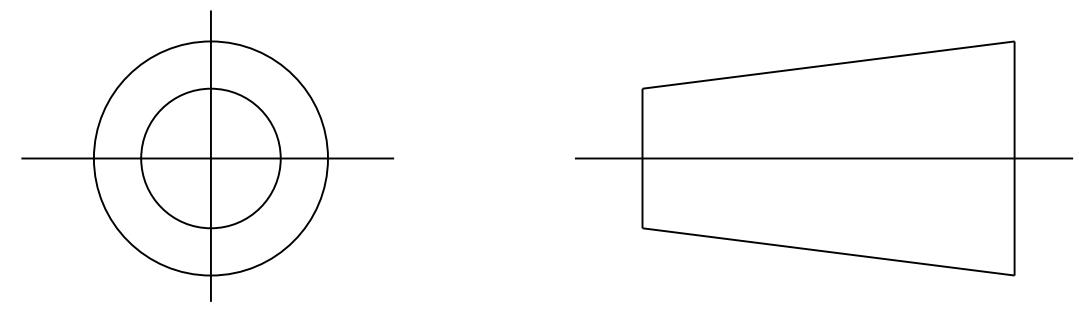


DRAWING No.
152085

SHT. 1
OF
1 SHTS.

© THE COPYRIGHT OF THIS DRAWING IS RESERVED BY HELLERMANN TYTON. IT IS ISSUED ON CONDITION THAT IT IS NOT COPIED, REPRODUCED OR DISCLOSED TO A THIRD PARTY EITHER WHOLLY OR IN PART WITHOUT THE CONSENT IN WRITING OF HELLERMANN TYTON.

THIRD ANGLE PROJECTION

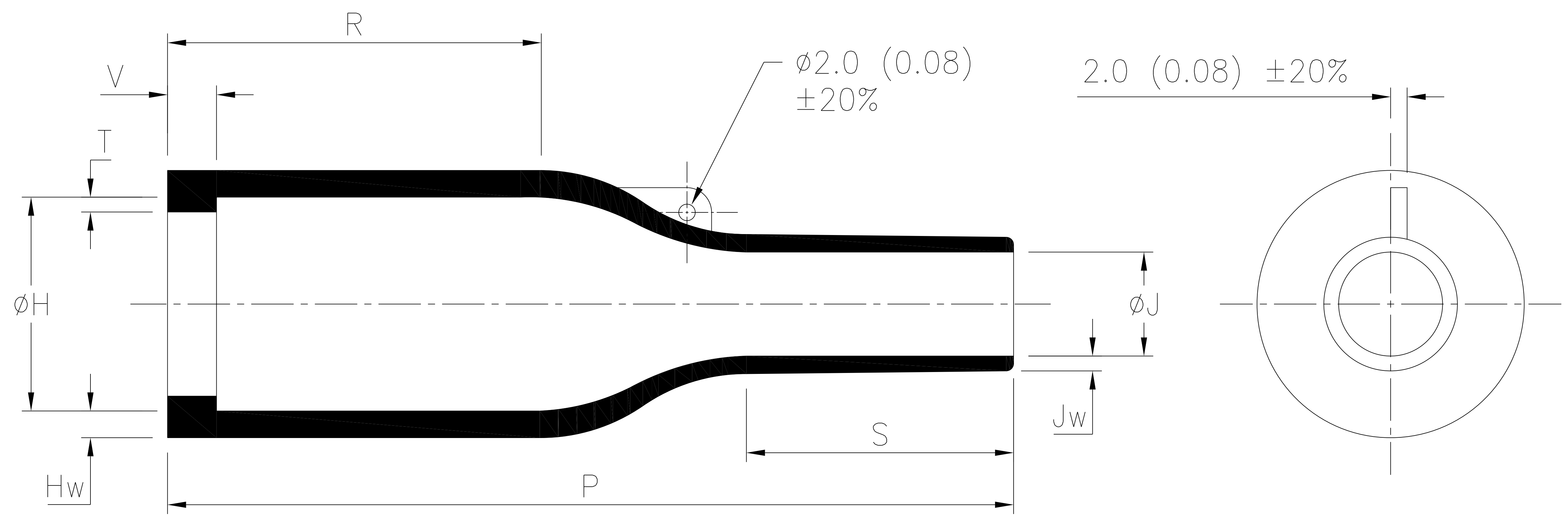


BS 8888

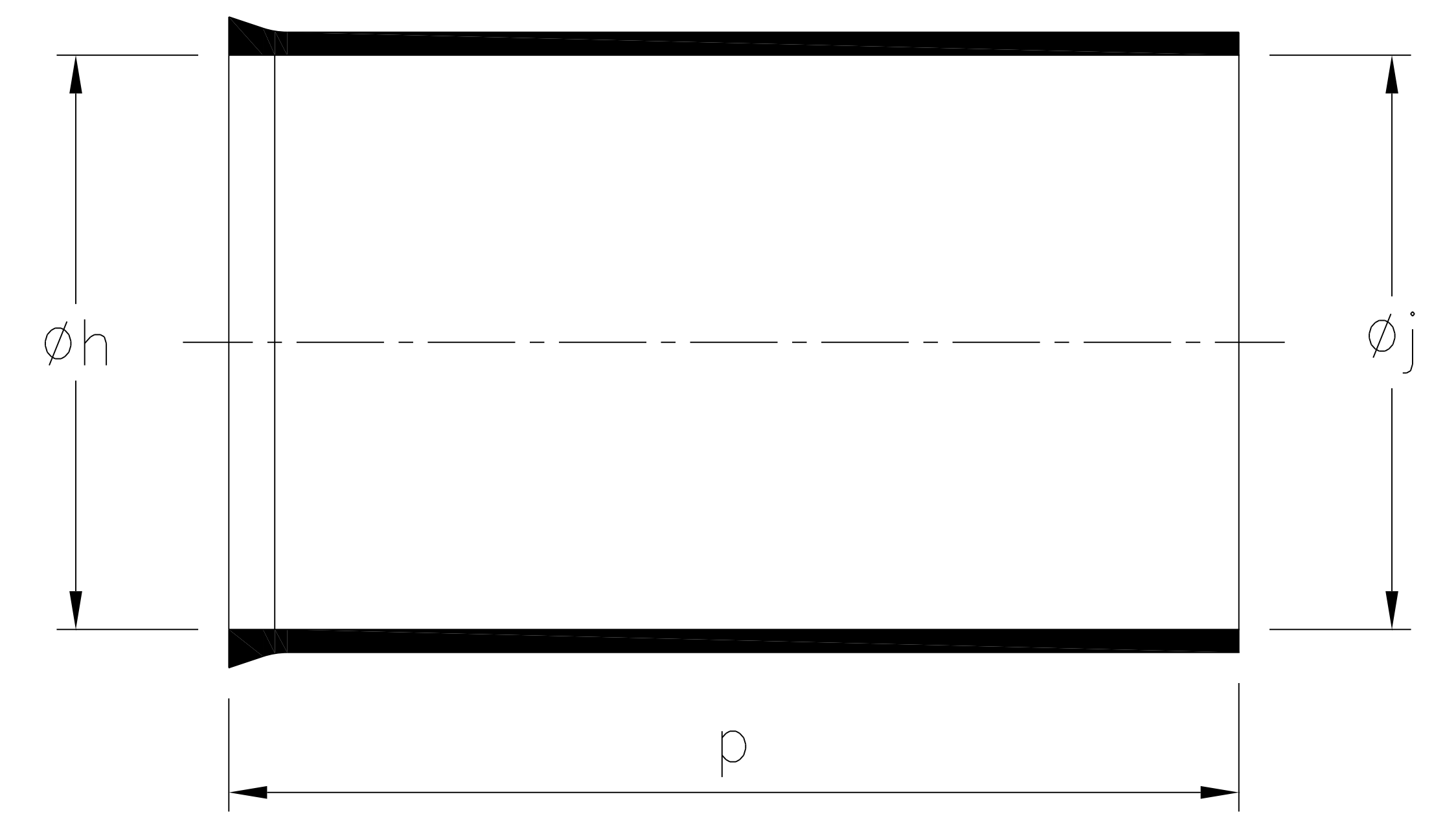
DO NOT SCALE
IF IN DOUBT ASK

Q.A.	H/S SETT
H/S Q.A.	REL. INSP.
H/S PROD	EXT. ISS. CODE

STANDARD PART (AFTER UNRESTRICTED RECOVERY)



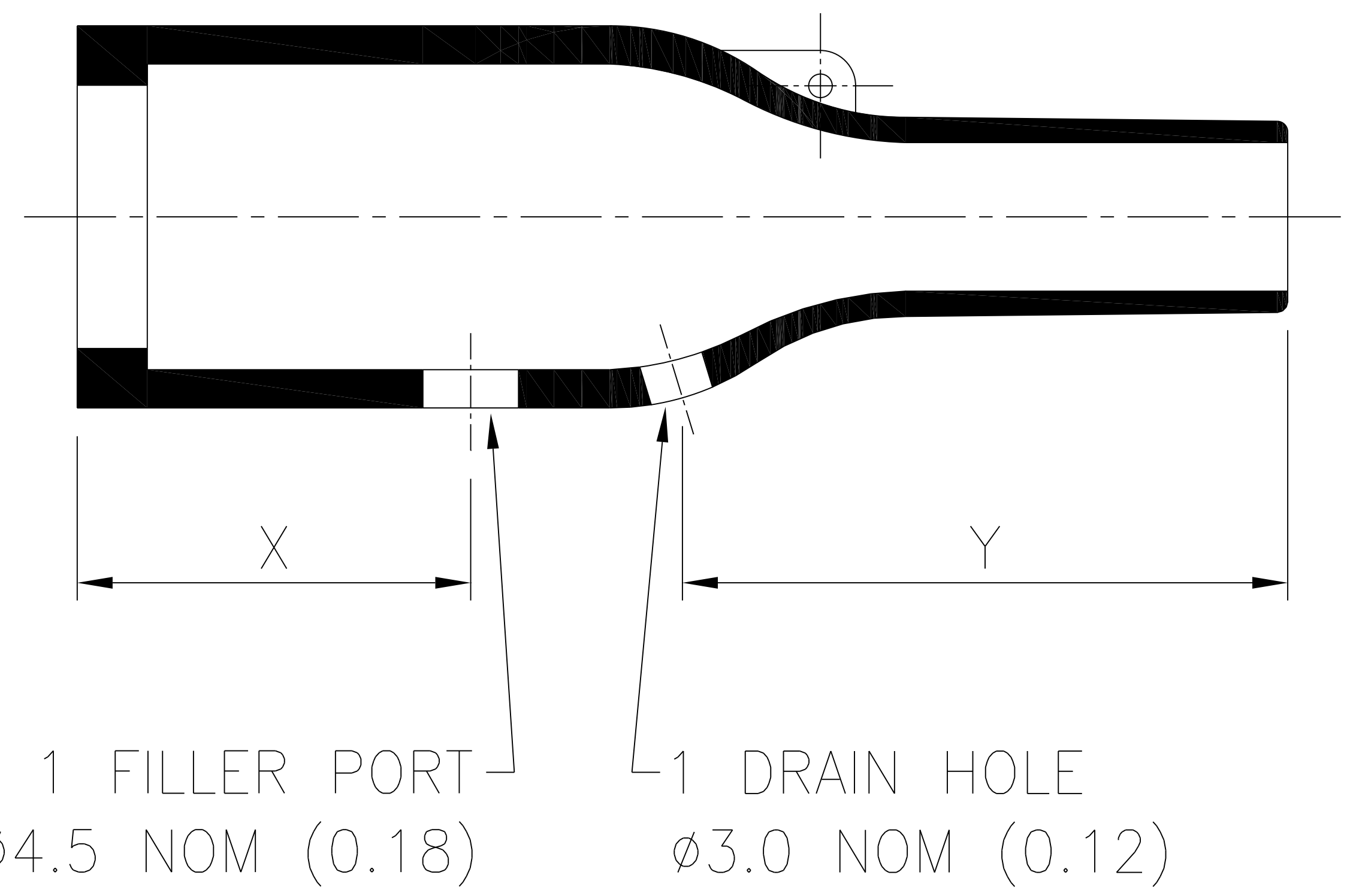
EXPANDED (AS SUPPLIED)



SPEC.	PART No.	EXPANDED DIMENSIONS (AS SUPPLIED)			RECOVERED DIAMETERS		RECOVERED DIMENSIONS						
		øh	øj	p	øH	øJ	P	R	S	T	V	Hw	Jw
		MIN	MIN	MIN	MAX	MAX	±10%	NOM	NOM	±20%	MAX	±20%	±30%
VG 95343 T06A003A	154-41	30 (1.18)	30 (1.18)	N/A	14 (0.55)	6 (0.24)	43 (1.69)	20 (0.79)	13 (0.51)	1.0 (0.04)	3.3 (0.13)	1.8 (0.07)	1.0 (0.04)
VG 95343 T06B003A	154-42	30 (1.18)	30 (1.18)	N/A	14 (0.55)	6 (0.24)	55 (2.16)	32 (1.26)	13 (0.51)	1.0 (0.04)	3.3 (0.13)	1.8 (0.07)	1.0 (0.04)
-	154-46	18 (0.71)	12 (0.47)	N/A	14 (0.55)	6 (0.24)	55 (2.16)	32 (1.26)	13 (0.51)	1.0 (0.04)	3.3 (0.13)	1.8 (0.07)	1.0 (0.04)
-	154-48	30 (1.18)	30 (1.18)	55 (2.16)	14 (0.55)	6 (0.24)	55 (2.16)	32 (1.26)	13 (0.51)	1.0 (0.04)	3.3 (0.13)	1.8 (0.07)	1.0 (0.04)
-	154-51	24 (0.94)	12 (0.47)	N/A	14 (0.55)	6 (0.24)	43 (1.69)	20 (0.79)	13 (0.51)	1.0 (0.04)	3.3 (0.13)	1.8 (0.07)	1.0 (0.04)
-	154-52	24 (0.94)	12 (0.47)	N/A	14 (0.55)	6 (0.24)	55 (2.16)	32 (1.26)	13 (0.51)	1.0 (0.04)	3.3 (0.13)	1.8 (0.07)	1.0 (0.04)
VG 95343 T29A003A	154-61	30 (1.18)	15 (0.59)	N/A	14 (0.55)	6 (0.24)	43 (1.69)	20 (0.79)	13 (0.51)	1.0 (0.04)	3.3 (0.13)	1.8 (0.07)	1.0 (0.04)
VG 95343 T29B003A	154-62	30 (1.18)	15 (0.59)	N/A	14 (0.55)	6 (0.24)	55 (2.16)	32 (1.26)	13 (0.51)	1.0 (0.04)	3.3 (0.13)	1.8 (0.07)	1.0 (0.04)

OPTIONAL FILLER PORT DETAIL			
SPEC.	PART No.	RECOVERED DIMENSIONS	
		X	Y
		±20%	±20%
VG 95343 T07A003A	154-41	12 (0.47)	18 (0.71)
VG 95343 T07B003A	154-42	18 (0.71)	24 (0.95)
-	154-46	18 (0.71)	24 (0.95)
-	154-48	18 (0.71)	24 (0.95)
-	154-51	12 (0.47)	18 (0.71)
-	154-52	18 (0.71)	24 (0.95)
-	154-61	12 (0.47)	18 (0.71)
-	154-62	18 (0.71)	24 (0.95)

OPTION TO STANDARD PART
FILLER PORT (CODE P)



4	P1499	GL	24/02/15
3	P1362	DJC	05/10/11
2	P1329	G.B.	11/10/10
1	P1195	S.Almond	14/04/08
ISSUE	NOTE No.	DRAWN	DATE

HellermannTyton
William Prance Road,
Plymouth International Med. & Tech. Park,
Plymouth, PL6 5WR
Tel ++44 (0) 1752 701261
Fax ++44 (0) 1752 790058

NAME	S.Almond	SCALE	NTS	ADHESIVE	A3 ORIGINAL SHEET SIZE 420mm x 297mm	SHT. 1 OF 1 SHTS.
DATE	14/04/08	DIMS IN	mm (in)			
TITLE	BOTTLE SLEEVE		PART No.	154	DRAWING No.	152085

X-ON Electronics

Largest Supplier of Electrical and Electronic Components

Click to view similar products for [Hellermann](#) manufacturer:

Other Similar products are found below :

[111-03250](#) [RSB2](#) [ETST668](#) [T18RPOCKETPAC](#) [217-2B7W1](#) [380-03003](#) [406064A](#) [TSR1I-21](#) [TSR1I-29](#) [TSR1I-33](#) [TSR1I-36](#) [1126-4JW8](#)
[RSB6](#) [MS3109-12AU](#) [Q30LR-PA66-BK-C1](#) [HWCLIP16 BLACK](#) [RLT150.NB2P](#) [T50IDH0C2](#) [T30MR BLACK](#) [AS45](#) [LPH275 BLACK](#)
[T120R.RN3P](#) [MK7.9A](#) [181-50840](#) [TWT2](#) [MCTPP50L](#) [MCTPP120R](#) [MBT14H](#) [G51P-A-PE-NA](#) [E4500](#) [TSRI-JB2](#) [SBS2 YELLOW](#) [309-](#)
[65110](#) [309-65129](#) [309-65214](#) [309-65298](#) [309-65300](#) [309-65105](#) [309-65117](#) [309-65118](#) [309-65164](#) [NGM20-RED](#) [NGM20-WH](#) [H75X25](#)
[RED](#) [HA67-69.8-11.7](#) [HA67-88.9-17.1](#) [321-50012](#) [HEGPA6614 GREY](#) [HIS-3-9/3-PEX-CL](#) [HIS-3 12/4 CLR](#)