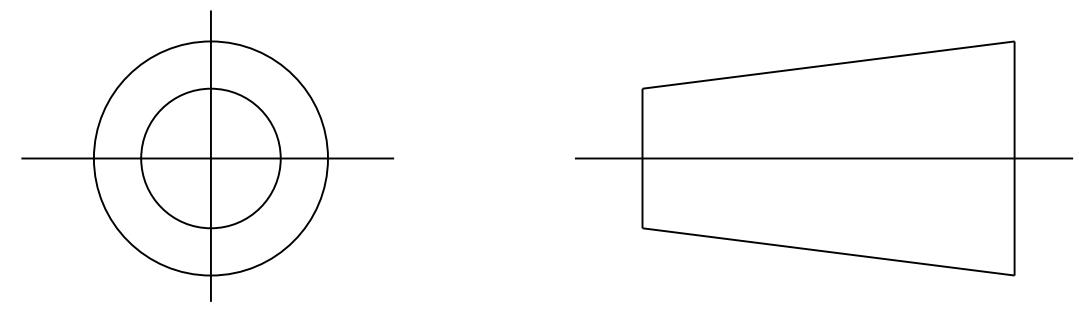


DRAWING No.  
152086

SHT. 1  
OF  
1 SHTS.

© THE COPYRIGHT OF THIS DRAWING IS RESERVED BY HELLERMANN TYTON. IT IS ISSUED ON CONDITION THAT IT IS NOT COPIED, REPRODUCED OR DISCLOSED TO A THIRD PARTY EITHER WHOLLY OR IN PART WITHOUT THE CONSENT IN WRITING OF HELLERMANN TYTON.

THIRD ANGLE PROJECTION

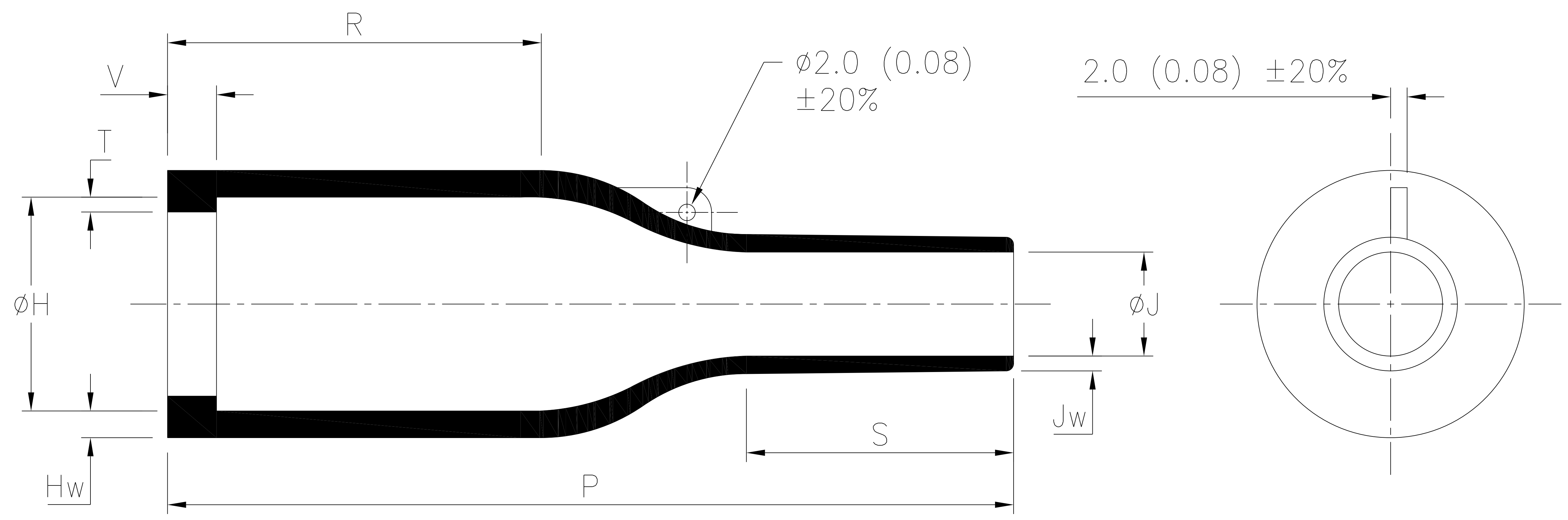


BS 8888

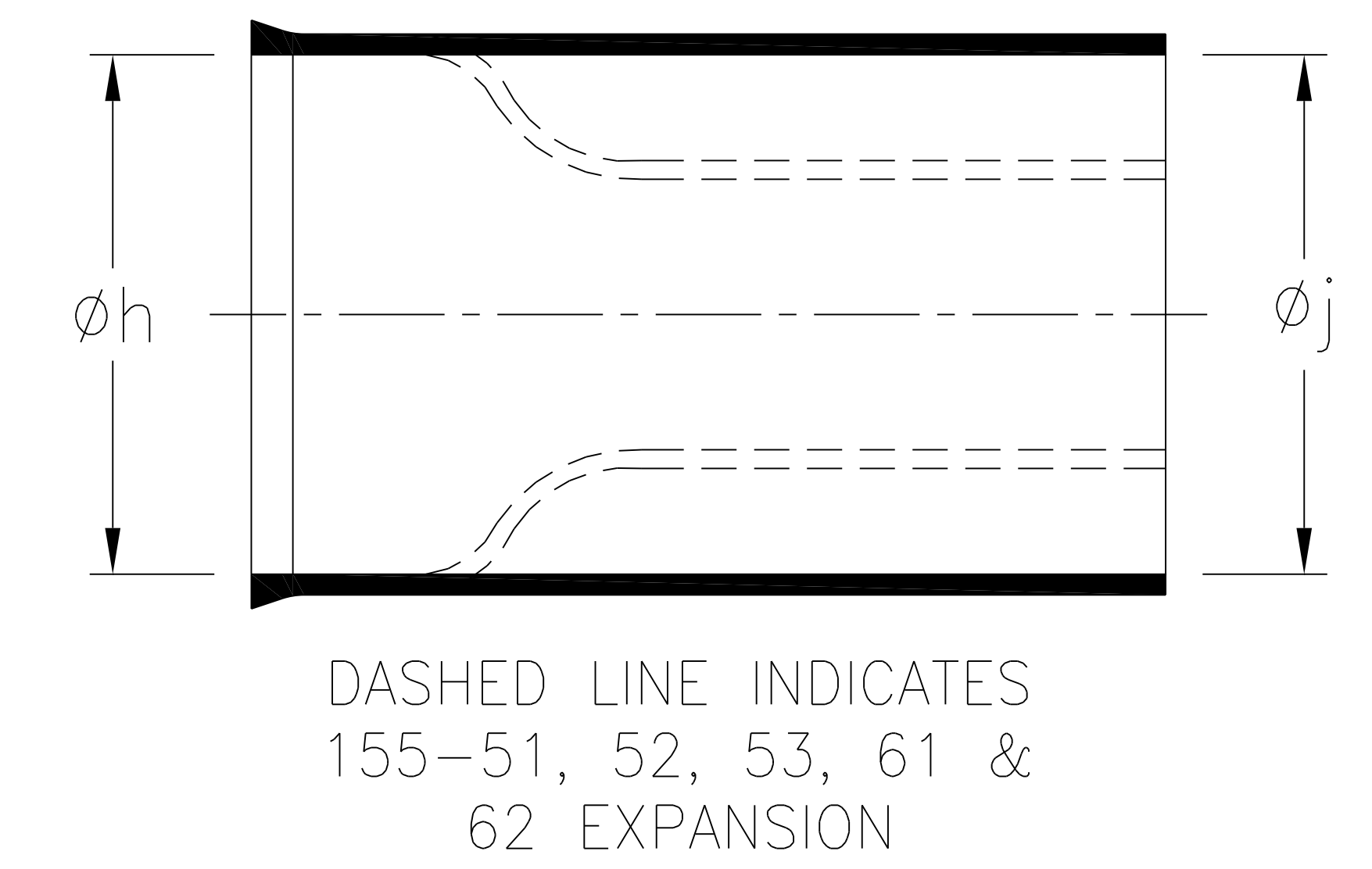
DO NOT SCALE  
IF IN DOUBT ASK

Q.A.	H/S SETT	
H/S Q.A.	REL. INSP.	
H/S PROD	EXT. ISS. CODE	5/12

STANDARD PART (AFTER UNRESTRICTED RECOVERY)



EXPANDED (AS SUPPLIED)

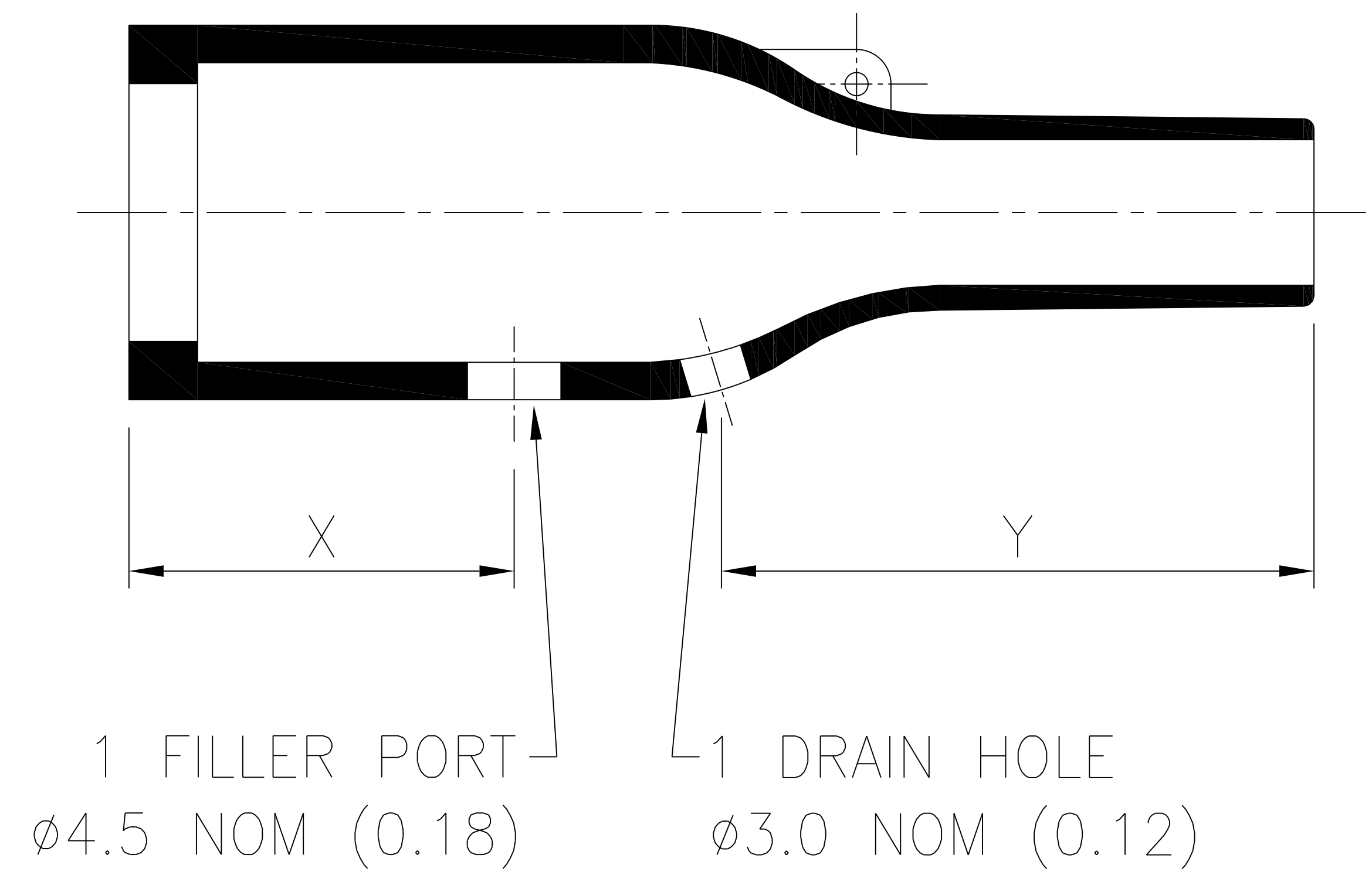


DRAWING OFFICE TO NOTIFY DATABASE ADMINISTRATOR TO UPDATE PART NUMBER IF DRAWING IS UP ISSUED.

SPEC.	PART No.	EXPANDED DIAMETERS (AS SUPPLIED)		RECOVERED DIAMETERS		RECOVERED DIMENSIONS						
		phi_h	phi_j	phi_H	phi_J	P	R	S	T	V	Hw	Jw
		MIN	MIN	MAX	MAX	±10%	NOM	NOM	±20%	MAX	±20%	±30%
-	155-12	36 (1.42)	36 (1.42)	18 (0.71)	7 (0.28)	67 (2.64)	35 (1.38)	18 (0.71)	1.0 (0.04)	3.3 (0.13)	1.8 (0.07)	1.0 (0.04)
VG 95343 T06A004A	155-41	31 (1.22)	31 (1.22)	18 (0.71)	7 (0.28)	47 (1.85)	15 (0.59)	18 (0.71)	1.0 (0.04)	3.3 (0.13)	1.8 (0.07)	1.0 (0.04)
VG 95343 T06B004A	155-42	31 (1.22)	31 (1.22)	18 (0.71)	7 (0.28)	67 (2.64)	35 (1.38)	18 (0.71)	1.0 (0.04)	3.3 (0.13)	1.8 (0.07)	1.0 (0.04)
-	155-51	29.2 (1.15)	15 (0.59)	18 (0.71)	7.3 (0.29)	47 (1.85)	15 (0.59)	18 (0.71)	1.0 (0.04)	3.3 (0.13)	1.8 (0.07)	1.0 (0.04)
-	155-52	29.2 (1.15)	15 (0.59)	18 (0.71)	7.3 (0.29)	67 (2.64)	35 (1.38)	18 (0.71)	1.0 (0.04)	3.3 (0.13)	1.8 (0.07)	1.0 (0.04)
-	155-53	31 (1.22)	18 (0.71)	18 (0.71)	7.3 (0.29)	67 (2.64)	35 (1.38)	18 (0.71)	1.0 (0.04)	3.3 (0.13)	1.8 (0.07)	1.0 (0.04)
VG 95343 T29A004A	155-61	31 (1.22)	18 (0.71)	18 (0.71)	7 (0.28)	47 (1.85)	15 (0.59)	18 (0.71)	1.0 (0.04)	3.3 (0.13)	1.8 (0.07)	1.0 (0.04)
VG 95343 T29B004A	155-62	31 (1.22)	18 (0.71)	18 (0.71)	7 (0.28)	67 (2.64)	35 (1.38)	18 (0.71)	1.0 (0.04)	3.3 (0.13)	1.8 (0.07)	1.0 (0.04)

OPTIONAL FILLER PORT DETAIL			
SPEC.	PART No.	RECOVERED DIMENSIONS	
		X	Y
		±20%	±20%
-	155-12	25 (0.98)	32 (1.26)
VG 95343 T07A004A	155-41	12 (0.47)	25 (0.98)
VG 95343 T07B004A	155-42	25 (0.98)	32 (1.26)
-	155-51	12 (0.47)	25 (0.98)
-	155-52	25 (0.98)	32 (1.26)
-	155-53	25 (0.98)	32 (1.26)
-	155-61	12 (0.47)	25 (0.98)
-	155-62	25 (0.98)	32 (1.26)

OPTION TO STANDARD PART  
FILLER PORT (CODE P)



6	P1499	GL	24/02/15
5	P1466	CB	03/07/14
4	P1399	CM	03/01/13
3	P1362	DJC	05/10/11
2	P1329	G.B.	11/10/10
ISSUE	NOTE No.	DRAWN	DATE

**HellermannTyton**  
William Prance Road,  
Plymouth International Med. & Tech. Park,  
Plymouth, PL6 5WR  
Tel ++44 (0) 1752 701261  
Fax ++44 (0) 1752 790058

NAME	S.Almond	SCALE	NTS	ADHESIVE	A3 ORIGINAL SHEET SIZE 420mm x 297mm	SHT. 1 OF 1 SHTS.
DATE	14/04/08	DIMS IN	mm (in)			
TITLE	BOTTLE SLEEVE			PART No.	DRAWING No.	
				155	152086	

## X-ON Electronics

Largest Supplier of Electrical and Electronic Components

*Click to view similar products for [Hellermann](#) manufacturer:*

Other Similar products are found below :

[111-03250](#) [RSB2](#) [ETST668](#) [T18RPOCKETPAC](#) [217-2B7W1](#) [380-03003](#) [406064A](#) [TSR1I-21](#) [TSR1I-29](#) [TSR1I-33](#) [TSR1I-36](#) [1126-4JW8](#)  
[RSB6](#) [MS3109-12AU](#) [Q30LR-PA66-BK-C1](#) [HWCLIP16 BLACK](#) [RLT150.NB2P](#) [T50IDH0C2](#) [T30MR BLACK](#) [AS45](#) [LPH275 BLACK](#)  
[T120R.RN3P](#) [MK7.9A](#) [181-50840](#) [TWT2](#) [MCTPP50L](#) [MCTPP120R](#) [MBT14H](#) [G51P-A-PE-NA](#) [E4500](#) [TSRI-JB2](#) [SBS2 YELLOW](#) [309-](#)  
[65110](#) [309-65129](#) [309-65214](#) [309-65298](#) [309-65300](#) [309-65105](#) [309-65117](#) [309-65118](#) [309-65164](#) [NGM20-RED](#) [NGM20-WH](#) [H75X25](#)  
[RED](#) [HA67-69.8-11.7](#) [HA67-88.9-17.1](#) [321-50012](#) [HEGPA6614 GREY](#) [HIS-3-9/3-PEX-CL](#) [HIS-3 12/4 CLR](#)