

|                      |       |                      |            |
|----------------------|-------|----------------------|------------|
| MC20805B6W-FPTLW-V2  | 2 x 8 | 5mm Character Height | LCD Module |
| <b>Specification</b> |       |                      |            |
| Version: 1           |       | Date: 29/09/2016     |            |
| <b>Revision</b>      |       |                      |            |
|                      |       |                      |            |

| <b>Display Features</b> |                          |
|-------------------------|--------------------------|
| Operating Temp. Range   | -20°C - +70°C            |
| Viewing Direction       | 6 O'Clock                |
| STN                     | FSTN Transflective       |
| Backlight               | LED White                |
| Controller              | SPLC780D                 |
| Characters              | 2 x 8                    |
| Voltage                 | 5V                       |
| Module Size             | 40.00 x 35.40 x 13.00 mm |
| Character Height        | 5mm                      |
| Display Construction    | Chip on Board            |



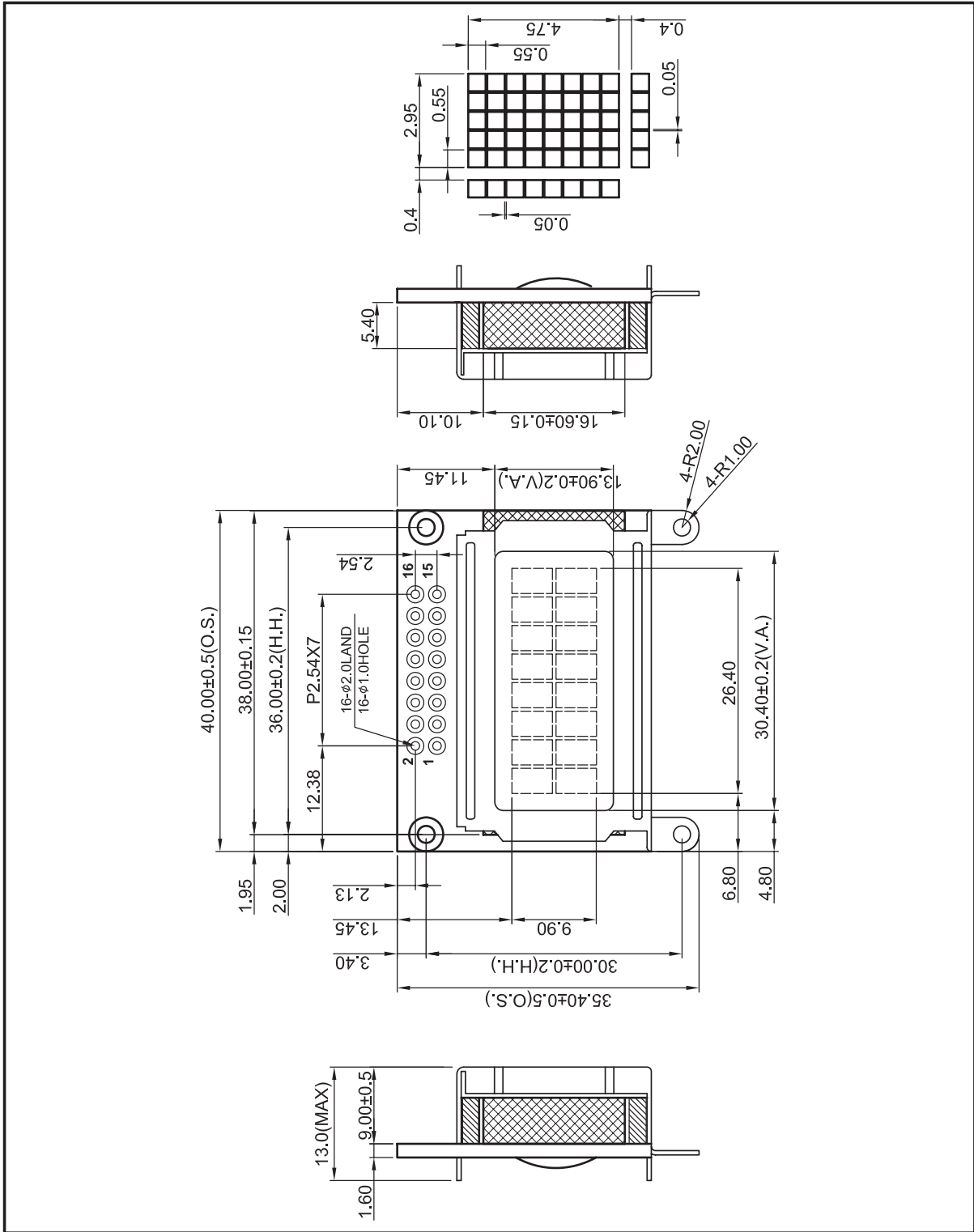
| Box Quantity | Weight / Display |
|--------------|------------------|
| 45 pcs       | 28.88 grams      |

\* - For full design functionality, please use this specification in conjunction with the SPLC780D specification. (Provided Separately)

| Optional Variants |                  |         | Display Accessories      |  |
|-------------------|------------------|---------|--------------------------|--|
| Fonts             | Physical Aspects | Voltage | Part Number              | Description  |
| English/Japanese  | N/A              | N/A     | MCCMDB-16DIL             | LCD interconnect board, can be driven from either a PC or a single board computer with a USB output. |
|                   |                  |         | MCCBL1A16DILP-16DILS-150 | 16 Way, Dual in-line to Dual In-line connector Cable.  |
|                   |                  |         |                          |  |

## Mechanical Specifications

|                |   |          |                 |               |              |
|----------------|---|----------|-----------------|---------------|--------------|
| Module Size    | 40.00 x 35.40 x 13.00 ( With Backlight) |          |                 |               | W x H x D mm |
| Viewing Area   | 30.40 x 13.90                           | W x H mm | Hole-to-Hole    | 36.00 x 30.00 | W x H mm     |
| Character Size | 2.95 x 4.75                             | W x H mm | Character Pitch | 0.40          | W mm         |
| Dot Size       | 0.55 x 0.55                             | W x H mm | Dot Pitch       | 0.05 x 0.05   | W x H mm     |

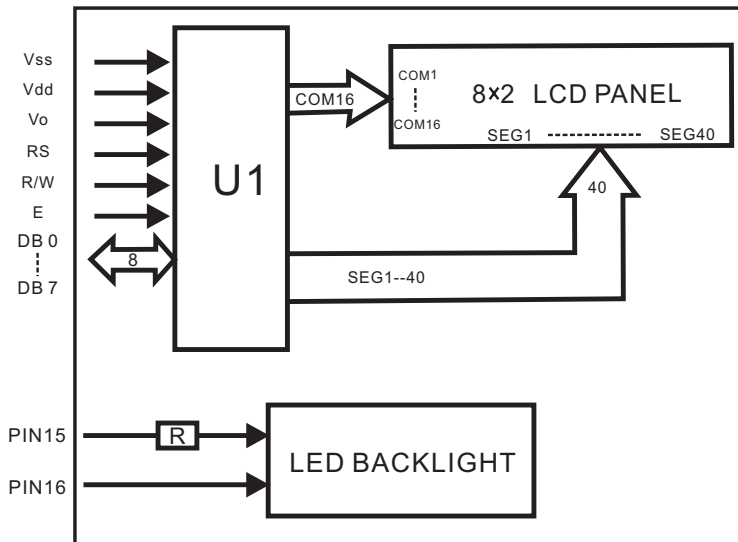


|                      |       |                      |            |
|----------------------|-------|----------------------|------------|
| MC20805B6W-FPTLW-V2  | 2 x 8 | 5mm Character Height | LCD Module |
| <b>Specification</b> |       |                      |            |
| Version: 1           |       | Date: 29/09/2016     |            |
| <b>Revision</b>      |       |                      |            |
|                      |       |                      |            |

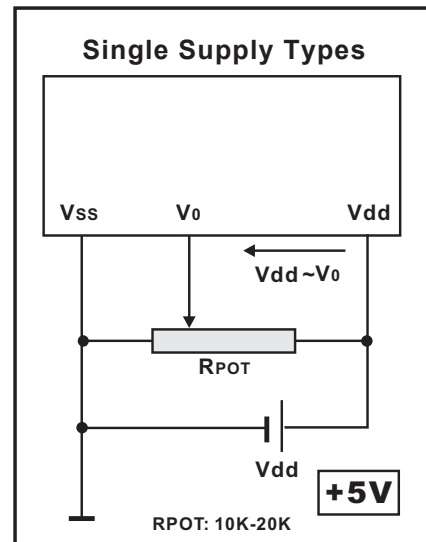
# Pin Layout

| PI | SYMBOL | DESCRIPTION            | REMARKS |
|----|--------|------------------------|---------|
| 1  | Vss    | GND                    |         |
| 2  | Vdd    | Power supply for LCM   | 5.0V    |
| 3  | V0     | Contrast Adjust        |         |
| 4  | RS     | Register Select Signal |         |
| 5  | R/W    | Data Read /Write       |         |
| 6  | E      | Enable Signal          |         |
| 7  | DB0    | Data bus line          |         |
| 8  | DB1    | Data bus line          |         |
| 9  | DB2    | Data bus line          |         |
| 10 | DB3    | Data bus line          |         |
| 11 | DB4    | Data bus line          |         |
| 12 | DB5    | Data bus line          |         |
| 13 | DB6    | Data bus line          |         |
| 14 | DB7    | Data bus line          |         |
| 15 | LED+   | Power supply for BKL   | 5.0V    |
| 16 | LED-   | Power supply for BKL   |         |

## Block Diagram



## Power Supply Diagram



|                      |       |                      |            |
|----------------------|-------|----------------------|------------|
| MC20805B6W-FPTLW-V2  | 2 x 8 | 5mm Character Height | LCD Module |
| <b>Specification</b> |       |                      |            |
| Version: 1           |       | Date: 29/09/2016     |            |
| <b>Revision</b>      |       |                      |            |
|                      |       |                      |            |

# Font Map

| Upper<br>4bit<br>Lower<br>4bit | LLLL             | LLLH | LLHL | LLHH | LHLL | LHLH | LHHL | LHHH | HLLL | HLLH | HLHL | HLHH | HHLH | HHLH | HHHL | HHHH |
|--------------------------------|------------------|------|------|------|------|------|------|------|------|------|------|------|------|------|------|------|
| LLLL                           | CG<br>RAM<br>(1) |      |      |      |      |      |      |      |      |      |      |      |      |      |      |      |
| LLLH                           | (2)              |      |      |      |      |      |      |      |      |      |      |      |      |      |      |      |
| LLHL                           | (3)              |      |      |      |      |      |      |      |      |      |      |      |      |      |      |      |
| LLHH                           | (4)              |      |      |      |      |      |      |      |      |      |      |      |      |      |      |      |
| LHLL                           | (5)              |      |      |      |      |      |      |      |      |      |      |      |      |      |      |      |
| LHLH                           | (6)              |      |      |      |      |      |      |      |      |      |      |      |      |      |      |      |
| LHHL                           | (7)              |      |      |      |      |      |      |      |      |      |      |      |      |      |      |      |
| LHHH                           | (8)              |      |      |      |      |      |      |      |      |      |      |      |      |      |      |      |
| HLLL                           | (1)              |      |      |      |      |      |      |      |      |      |      |      |      |      |      |      |
| HLLH                           | (2)              |      |      |      |      |      |      |      |      |      |      |      |      |      |      |      |
| HLHL                           | (3)              |      |      |      |      |      |      |      |      |      |      |      |      |      |      |      |
| HLHH                           | (4)              |      |      |      |      |      |      |      |      |      |      |      |      |      |      |      |
| HHLH                           | (5)              |      |      |      |      |      |      |      |      |      |      |      |      |      |      |      |
| HHLH                           | (6)              |      |      |      |      |      |      |      |      |      |      |      |      |      |      |      |
| HHHL                           | (7)              |      |      |      |      |      |      |      |      |      |      |      |      |      |      |      |
| HHHH                           | (8)              |      |      |      |      |      |      |      |      |      |      |      |      |      |      |      |

|                      |       |                      |            |
|----------------------|-------|----------------------|------------|
| MC20805B6W-FPTLW-V2  | 2 x 8 | 5mm Character Height | LCD Module |
| <b>Specification</b> |       |                      |            |
| Version: 1           |       | Date: 29/09/2016     |            |
| <b>Revision</b>      |       |                      |            |
|                      |       |                      |            |

| Absolute Maximum Ratings |        |           |           |     |          |      |
|--------------------------|--------|-----------|-----------|-----|----------|------|
| Item                     | Symbol | Condition | Min       | Typ | Max      | Unit |
| Power Supply ( LOGIC)    | Vdd    | 25 °C     | -0.3      | --- | 7.0      | V    |
| Power Supply (LCD)       | V0     | 25 °C     | Vdd -13.5 | --- | Vdd +0.3 | V    |
| Input Voltage            | Vin    | 25 °C     | -0.3      | --- | Vdd +0.3 | V    |
| Operating Temperature    | Vopr   | ---       | -20       | --- | 70       | °C   |
| Storage Temperature      | Vstg   | ---       | -30       | --- | 80       | °C   |

| Electronic Characteristics    |                   |           |      |      |      |      |
|-------------------------------|-------------------|-----------|------|------|------|------|
| Item                          | Symbol            | Condition | Min  | Typ  | Max  | Unit |
| Input Voltage                 | Vdd               | ---       | ---  | 5.0  | ---  | V    |
| Supply Current                | Idd               | Vdd=5V    | ---  | 1.5  | ---  | mA   |
| Driving Voltage for LCD Panel | Vlcd = (Vdd - V0) | -20 °C    | 4.30 | ---  | 4.90 | V    |
|                               |                   | 0 °C      | 4.25 | ---  | 4.9€ |      |
|                               |                   | 25 °C     | 4.25 | 4.50 | 4.90 |      |
|                               |                   | 50 °C     | 4.20 | ---  | 4.80 |      |
|                               |                   | 70 °C     | 4.10 | ---  | 4.65 |      |

| LCD Characteristics          |                   |           |     |     |     |      |
|------------------------------|-------------------|-----------|-----|-----|-----|------|
| For STN/FSTN LCD Panel Types |                   |           |     |     |     |      |
| Item                         | Symbol            | Condition | Min | Typ | Max | Unit |
| Viewing Angle                | $\Phi 2 - \Phi 1$ | K = 4     | 40° | --- | --- | Deg  |
|                              | $\Theta$          |           | 60° |     |     |      |
| Contrast Ratio               | K                 | ---       | --- | 10  | --- | ---  |
| Response Time (Rise)         | TR                | ---       | --- | 150 | 250 | ms   |
| Response Time (Fall)         | TF                | ---       | --- | 150 | 250 | ms   |

| LED Characteristics          |              |              |      |     |      |                   |
|------------------------------|--------------|--------------|------|-----|------|-------------------|
| Item                         | Symbol       | Condition    | Min  | Typ | Max  | Unit              |
| LED Forward Voltage          | Vf           | 25°C If=15mA | ---  | 5.0 | ---  | V                 |
| LED Forward Current*         | If           | 25°C         | ---  | 15  | ---  | mA                |
| LED Reverse Current          | Ir           | 25°C Vr=5.0V | ---  | --- | 10   | µA                |
| LED Colour Range             | X Coordinate | 25°C If=15mA | 0.26 | --- | 0.30 | ---               |
|                              | Y Coordinate |              | 0.27 | --- | 0.31 | ---               |
| LED Brightness (Without LCD) | Lv           | 25°C If=15mA | ---  | 360 | ---  | cd/m <sup>2</sup> |
| LED Brightness Uniformity    | Lvmin/Lvmax  | 25°C If=15mA | 70   | --- | ---  | Ratio             |
| LED Life Time                |              | 25°C If=15mA | 9K   | --- | ---  | Hours             |

**Attention:** It is constant current, not constant voltage, which should be applied when driving the LED backlight, please ensure you adhere to this rule.

|                      |       |                      |            |
|----------------------|-------|----------------------|------------|
| MC20805B6W-FPTLW-V2  | 2 x 8 | 5mm Character Height | LCD Module |
| <b>Specification</b> |       |                      |            |
| Version: 1           |       | Date: 29/09/2016     |            |
| <b>Revision</b>      |       |                      |            |
|                      |       |                      |            |

## X-ON Electronics

Largest Supplier of Electrical and Electronic Components

*Click to view similar products for [Midas](#) manufacturer:*

Other Similar products are found below :

[MCT070LA12W1024600LML](#) [MCT043C0TW480272LML](#) [MCOB21609AV-EWP](#) [MC42004A6W-SPTLY](#) [MC22008B6W-SPR](#)  
[MC21609A12W-VNMLG](#) [MC22005A12W-VNMLY](#) [MCT035G12W320240LML](#) [MC21605A6WR-BNMLW-V2](#) [MC21605C6W-FPTLA-V2](#)  
[MC21605DA6W-SPTLY-V2](#) [MC21605H6W-BNMLW-V2](#) [MC42005A6W-FPTLW3-V2](#) [MCOT128064QV-WM](#) [MCOT048064A1V-YI](#)  
[MCOT128064E1V-BM](#) [MCOT096016C1V-BI](#) [MCT101E0CW1280800LMLIPS](#) [MCT039C12CW480128LML](#) [MCCOG240064F6W-FPTLW](#)  
[MC240064GD6W-BNMLW](#) [MCT070Z0W800480LML](#) [MCOT128064EY-YM](#) [MCIB-7](#) [MC21605A6WK-FPTLW-V2](#) [MC21605C6W-](#)  
[FPTLW-V2](#) [MC22005A6WK-SPTLY-V2](#) [MC22005A6WR-SPTLY-V2](#) [MC41605A6W-FPTLA-V2](#) [MC42005A6W-BNMLW-V2](#)  
[MC128064E6W-FPTLW-V2](#) [MCOT128064U1V-BM](#) [MCT150B0W1024768LML](#) [MCCOG240064D6W-FPTLW](#)  
[MCT070Z0TW1W800480LML](#) [MCT050ACA0CW800480LML](#) [MCOT128064BY-WM](#) [MC11605A12W-VNMLB](#)  
[MCT052A6W480128LML](#) [MC11605A6WR-SPTLY-V2](#) [MC11606A6W-SPTLY-V2](#) [MC21605AB6W-GPTLY-V2](#) [MC21605G6WR-](#)  
[FPTLW-V2](#) [MC24005A6W-BNMLW-V2](#) [MC128064C6W-FPTLW-V2](#) [MC42005A6W-BNMLWI-V2](#) [MCOB21605GX-EGP](#)  
[MCOT128064UA1V-WM](#) [MCOT256064A1A-BM](#) [MCOT22005A1V-EYM](#)