

MC128064C6W-FPTLR-V2	128 x 64	LCD Module
Specification		
Version: 1	Date: 31/10/2016	
Revision		

Display Features	
Operating Temp. Range	-20°C ~ +70°C
Viewing Direction	6 O'Clock
STN	FSTN Transflective
Backlight	LED Red
Controller	NT7107
Characters	128 x 64
Voltage	5V
Module Size	75.00 x 52.70 x 13.00 mm
Display Construction	Chip on Board



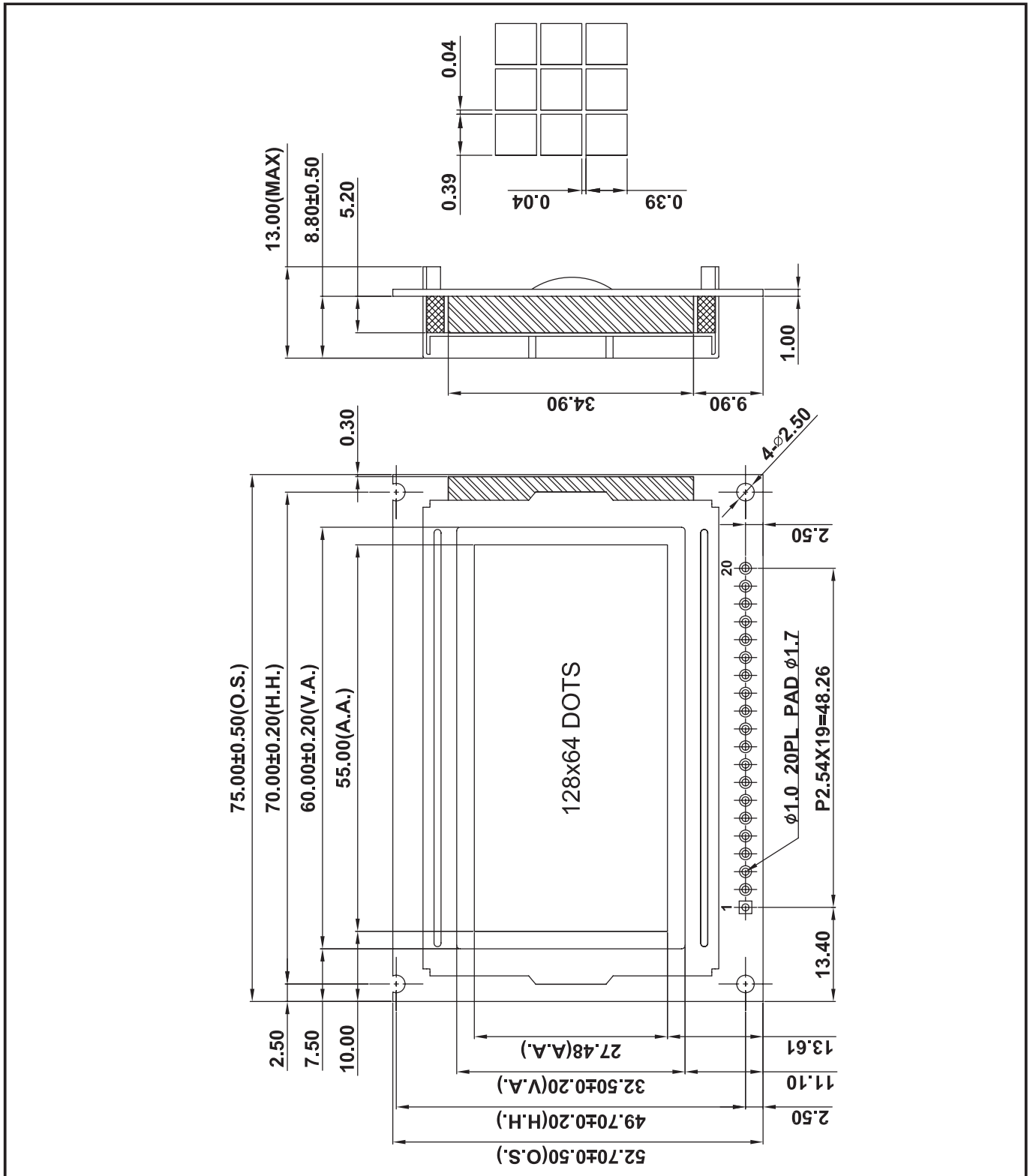
Box Quantity	Weight / Display
45 pcs	36.11 grams

* - For full design functionality, please use this specification in conjunction with the NT7107 specification. (Provided Separately)

Optional Variants			Display Accessories	
Fonts	Physical Aspects	Voltage	Part Number	Description
N/A	N/A	N/A	MCCMDB-16SIL	LCD interconnect board, can be driven from either a PC or a single board computer with a USB output.

Mechanical Specifications

Module Size	75.00 x 52.70 x 13.00 (With Backlight)				W x H x D mm
Viewing Area	60.00 x 32.50	W x H mm	Hole-to-Hole	70.00 x 49.70	W x H mm
Dot Size	0.39 x 0.39	W x H mm	Dot Pitch	0.04 x 0.04	W x H mm

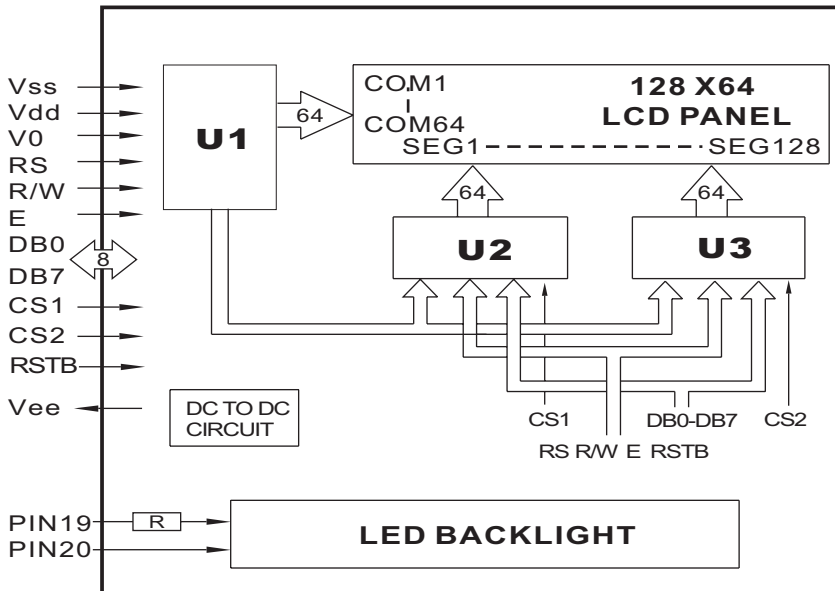


MC128064C6W-FPTLR-V2	128 x 64	LCD Module
Specification		
Version: 1	Date: 31/10/2016	
Revision		

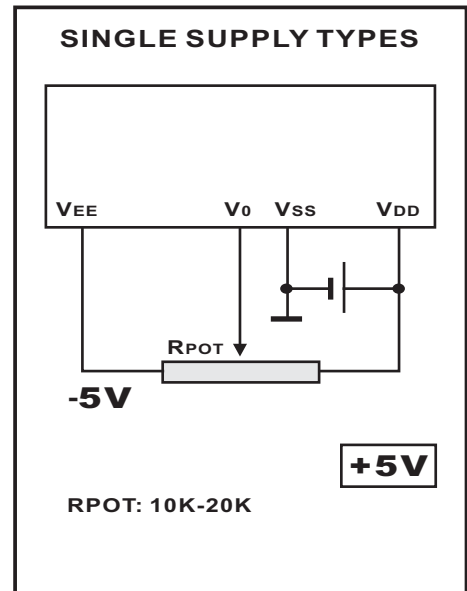
Pin Layout

Pin	Symbol	Description	Voltage
1	Vdd	Power Supply for LCM	5.0V
2	Vss	GND	
3	V0	Contrast Adjust	
4	DB0	Data bus Line	
5	DB1	Data bus Line	
6	DB2	Data bus Line	
7	DB3	Data bus Line	
8	DB4	Data bus Line	
9	DB5	Data bus Line	
10	DB6	Data bus Line	
11	DB7	Data bus Line	
12	CS1	When CS1=H, CS2=L, Select U2	
13	CS2	When CS1=L, CS2=H, Select U3	
14	RST	Reset Signal	
15	R/W	Read / Write	
16	D/I	H/L H: Data, L: Instruction Code	
17	E	Enable Signal	
18	VEE	Negative Voltage Output	
19	LED+	Power Supply for BKL	5.0V
20	LED-	Power Supply for BKL	

Block Diagram



Power Supply Diagram



MC128064C6W-FPTLR-V2	128 x 64	LCD Module
Specification		
Version: 1	Date: 31/10/2016	
Revision		

Absolute Maximum Ratings						
Item	Symbol	Condition	Min	Typ	Max	Unit
Power Supply (LOGIC)	Vdd	25°C	-0.3	---	7.0	V
Power Supply (LCD)	V0	25°C	Vdd -19.00	---	Vdd +0.3	V
Input Voltage	Vin	25°C	-0.3	---	Vdd +0.3	V
Operating Temperature	Vopr	---	-20	---	70	C
Storage Temperature	Vstg	---	-30	---	80	C

Electronic Characteristics						
Item	Symbol	Condition	Min	Typ	Max	Unit
Input Voltage	Vlcm = Vdd	---	---	5.0	---	V
Supply Current	Idd	Vdd=5V	---	2.5	---	mA
Driving Voltage for LCD Panel	Vlcd = (Vdd - V0)	-20°C	8.20	---	8.55	V
		0°C	---	---	---	
		25°C	7.80	8.20	8.40	
		50°C	---	---	---	
		70°C	7.60	---	8.20	

LCD Characteristics						
For STN/FSTN LCD Panel Types						
Item	Symbol	Condition	Min	Typ	Max	Unit
Viewing Angle	$\Phi 2 - \Phi 1$	K = 4	40°	---	---	Deg
	Θ		60°			
Contrast Ratio	K	---	---	10	---	---
Response Time (Rise)	TR	---	---	150	250	ms
Response Time (Fall)	TF	---	---	150	250	ms

LED Characteristics						
Item	Symbol	Condition	Min	Typ	Max	Unit
LED Forward Voltage	Vf	25°C If=25mA	---	5.0	---	V
LED Forward Current*	If	25°C	---	25	---	mA
LED Reverse Current	Ir	25°C Vr=5.0V	---	---	20	A
LED Peak Wave Length	λp	25°C If=25mA	620	---	630	nm
LED Brightness (Without LCD)	Lv	25°C If=25mA	---	95	---	cd/m ²
LED Brightness Uniformity	Lvmin/Lvmax	25°C If=25mA	70	---	---	Ratio
LED Life Time	---	25°C If=25mA	9K	---	---	Hours

Attention: It is constant current, not constant voltage, which should be applied when driving the LED backlight, please ensure you adhere to this rule.

MC128064C6W-FPTLR-V2	128 x 64	LCD Module
Specification		
Version: 1	Date: 31/10/2016	
Revision		

X-ON Electronics

Largest Supplier of Electrical and Electronic Components

Click to view similar products for [Midas](#) manufacturer:

Other Similar products are found below :

[MCT070LA12W1024600LML](#) [MCT043C0TW480272LML](#) [MCOB21609AV-EWP](#) [MC42004A6W-SPTLY](#) [MC22008B6W-SPR](#)
[MC21609A12W-VNMLG](#) [MC22005A12W-VNMLY](#) [MCT035G12W320240LML](#) [MC21605A6WR-BNMLW-V2](#) [MC21605C6W-FPTLA-V2](#)
[MC21605DA6W-SPTLY-V2](#) [MC21605H6W-BNMLW-V2](#) [MC42005A6W-FPTLW3-V2](#) [MCOT128064QV-WM](#) [MCOT048064A1V-YI](#)
[MCOT128064E1V-BM](#) [MCOT096016C1V-BI](#) [MCT101E0CW1280800LMLIPS](#) [MCT039C12CW480128LML](#) [MCCOG240064F6W-FPTLW](#)
[MC240064GD6W-BNMLW](#) [MCT070Z0W800480LML](#) [MCOT128064EY-YM](#) [MCIB-7](#) [MC21605A6WK-FPTLW-V2](#) [MC21605C6W-](#)
[FPTLW-V2](#) [MC22005A6WK-SPTLY-V2](#) [MC22005A6WR-SPTLY-V2](#) [MC41605A6W-FPTLA-V2](#) [MC42005A6W-BNMLW-V2](#)
[MC128064E6W-FPTLW-V2](#) [MCOT128064U1V-BM](#) [MCT150B0W1024768LML](#) [MCCOG240064D6W-FPTLW](#)
[MCT070Z0TW1W800480LML](#) [MCT050ACA0CW800480LML](#) [MCOT128064BY-WM](#) [MC11605A12W-VNMLB](#)
[MCT052A6W480128LML](#) [MC11605A6WR-SPTLY-V2](#) [MC11606A6W-SPTLY-V2](#) [MC21605AB6W-GPTLY-V2](#) [MC21605G6WR-](#)
[FPTLW-V2](#) [MC24005A6W-BNMLW-V2](#) [MC128064C6W-FPTLW-V2](#) [MC42005A6W-BNMLWI-V2](#) [MCOB21605GX-EGP](#)
[MCOT128064UA1V-WM](#) [MCOT256064A1A-BM](#) [MCOT22005A1V-EYM](#)