

General Purpose Limit Switch

SZL-WL series



FEATURES

- Single Pole Double Throw, Double Break
- High mechanical strength and Rugged Aluminum die-cast housing
- Wide range of levers and actuators
- Standard mounting dimensions
- 10 Amp current capacity
- Long mechanical life
- Set position indicator for easy maintenance
- Oiltight, waterproof and dustproof construction
- UL, CSA, CE approved
- IP67 Enclosure rating

APPLICATIONS

- Machine tools
- Material handling
- Food and beverage
- Conveyors
- Special machinery
- Control Valve
- Auto Parking

DESCRIPTION

The new economical SZL-WL series general purpose limit switches are cost-effective switches for detecting objects in a wide range of applications from general purpose conveyors to heavy-duty machinery.

Rugged and reliable, these switches are offered with a variety of actuators, functions and electrical ratings.

Various series of overtravel types, high precision types, double sealing types as well as weld-immune types can be selected based on your specific application.

These switches are specially designed for world-wide applications and supported by Honeywell global resources for sales and after sales service.

Customers will benefit from Honeywell's vast experience in serving world industries over many years. To minimize plant down-time and reduce maintenance costs, the SZL-WL series include indicator type switches with twin LEDs.

WARNINGS



- DO NOT USE this product as safety or emergency devices or in any other applications where failure of the product could result in a personal injury
- This information presented in this product sheet is for reference only. DO NOT USE this document as product installation information.

General Purpose Limit Switch

SZL-WL series

MODEL SELECTION GUIDE

Type Actuator	Standard	Overtravel				High precision
		A series 	B series 	C series 	D series 	
Side Rotary Roller Lever Standard	SZL-WL-A	SZL-WLA-A	SZL-WLB-A	SZL-WLC-A	SZL-WLD-A	SZL-WLE-A
Side Rotary Roller Lever Adjustable	SZL-WL-B	SZL-WLA-B	SZL-WLB-B	SZL-WLC-B	SZL-WLD-B	SZL-WLE-B
Side Rotary Rod Adjustable	SZL-WL-C	SZL-WLA-C	SZL-WLB-C	SZL-WLC-C	SZL-WLD-C	SZL-WLE-C
Fork Lock Lever (opposite direction rollers)	SZL-WL-D					
Fork Lock Lever (same direction rollers)	SZL-WL-P					
Top Roller Plunger	SZL-WL-E					
Top Plunger	SZL-WL-F					
Top Roller plunger Sealed	SZL-WL-G					
Side Roller Plunger	SZL-WL-H					
Top Ball Plunger	SZL-WL-I					
Side Plunger	SZL-WL-J					
Wobble-coil spring (φ 6.5)	SZL-WL-K					
Wobble-coil spring (φ 4.8)	SZL-WL-L					
Wobble-plastic rod (φ 8.0)	SZL-WL-M					
Wobble-steel wire (φ 1.0)	SZL-WL-N					

Note: 1. As for indicator types and special types, refer to the numbering below.
2. In addition to the listings above, many more standard and special types are available on your specific application needs.

※ Numbering Scheme

SZL-WL - -
 ① ② ③ ④

① Type

- None Standard
- A Overtravel A series
- B Overtravel B series
- C Overtravel C series
- D Overtravel D series
- E High Precision

② Actuator

Refer to the table above

③ Special Type

- None Non-special
- L Weld-immune type
- E Double Sealing type

④ Indicator

- None No indicator
- LE Neon lamp(AC type)
- L3 LED(DC24V/1.3mA)

TECHNICAL INFORMATION

■ Electrical Ratings

Part Number (Type)	Rated Voltage (V)	Make and break amps (Non-inductive load)				Make and break amps (inductive load)			
		Resistive load		Lamp load		Inductive load		Motor load	
		NC	NO	NC	NO	NC	NO	NC	NO
Standard type Overtravel A series Overtravel C series Overtravel D series High precision	AC 125	10		3	1.5	10		5	2.5
	250	10		2	1	10		3	1.5
	480	10		1.5	0.8	3		1.5	0.8
	DC 8	10		6	3	10		6	
	14	10		6	3	10		6	
	30	6		4	3	6		4	
High precision	125	0.8		0.2	0.2	0.8		0.2	
	250	0.4		0.1	0.1	0.4		0.1	
	AC 125	5		-	-	-		-	
Overtravel B series	250	5		-	-	-		-	
	DC 125	0.4		-	-	-		-	
	250	0.2		-	-	-		-	

Notes : 1. Inductive load : power factor=0.4, time constant=7ms
 2. Lamp load has an inrush current of 10 times the steady state current.
 3. Motor load has an inrush current of 6 times the steady state current.

■ Specifications

Circuitry	Single Pole Double Throw, Double Break
Actuators	Refer to the model selection
Operating speed	1mm/s to 1,000 mm/s with SZL-WL-A
Max. Operating frequency	Mechanical : 120 operations/min, Electrical : 20 operations/min
Contact Material	Ag + Cu
Contact resistance(Initial)	Max. 25mΩ
Insulation resistance	Min. 100MΩ (at 500VDC)
Dielectric strength	1,000VAC, 50/60 Hz for 1 min between non-continuous terminals (600VAC for overtravel B series) 2,200VAC, 50/60 Hz for 1 min between each terminal and non-current-carrying metal part and between each terminal and ground (1,500VAC for overtravel B series)
Temperature rise	Max. 50 °C
Vibration resistance	Malfunction durability : 10 to 50 Hz, 1.5mm double amplitude (exclude wobble actuator types: -K,-L,-M,-N listings)
Shock resistance	Destruction durability : approx. 1,000 m/s ² (100G) Malfunction durability : approx. 300 m/s ² (30G) (exclude wobble actuator types)
Ambient temperature	Operating : -10°C to +80°C (14°F to 176°F)
Ambient Humidity	Operating : Max. 95 %RH
Service life	Mechanical : 15,000,000 operations (10,000,000 operations for overtravel B series and wobble) Electrical : 750,000 operations (500,000 operations for overtravel B series)
Weight	Approx. 270 g with SZL-WL-A
Agency Approvals	C-UL,CE,CSA approved
Sealing	IP67

General Purpose Limit Switch

SZL-WL series

■ Operating Characteristics

A. Standard Type

	WL-A	WL-B*	WL-C**	WL-D,P	WL-E	WL-F	WL-G
OF (max.)	1,360g	1,360g	142g	1,200g	2,720g	2,720g	1,700g
RF (min.)	227g	227g	28g	-	910g	910g	450g
PT	15± 5°	15± 5°	15± 5°	50± 5°	1.7 mm (max.)	1.7 mm (max.)	1.7 mm
OT (min.)	30°	30°	30°	35°	5.6 mm	6.4 mm	5.6 mm
MD (max.)	12°	12°	12°	-	1 mm	1 mm	1 mm
TT (min.)	40°	40°	40°	-	-	-	-
OP	-	-	-	-	44± 0.8 mm	34± 0.8 mm	44± 0.8 mm
TTp (max.)	-	-	-	-	39.5 mm	29.5 mm	39.5 mm
	WL-H	WL-I	WL-J	WL-K***	WL-L***	WL-M***	WL-N***
OF (max.)	4,082g	2,720g	4,082g	150g	150g	150g	29g
RF (min.)	907g	910g	907g	-	-	-	-
PT	2.8 mm	1.7 mm (max.)	2.8 mm (max.)	20± 10 mm	20± 10 mm	40± 20 mm	40± 20 mm
OT (min.)	5.6 mm	4 mm	6.4 mm	-	-	-	-
MD (max.)	1 mm	1 mm	1 mm	-	-	-	-
TT (min.)	-	-	-	-	-	-	-
OP	54.2± 0.8 mm	44.5± 0.8 mm	40.6± 0.8 mm	-	-	-	-
TTp (max.)	-	41 mm	-	-	-	-	-

Notes: *: Operating characteristics of WL-B are those measured at the arm length of 38 mm.

** : Operating characteristics of WL-C are those measured at the lever length of 140 mm.

*** : Operating characteristics of these types are those measured at the tip of the actuator.

B. Overtravel Type/High Precision Type

	WLA-A	WLB-A	WLA-B*	WLB-B*	WLA-C**	WLB-C**	WLC-A
OF (max.)	1,000g	1,000g	1,000g	1,000g	290g	290g	900g
RF (min.)	100g	100g	100g	100g	25g	25g	50g
PT	18± 4°	10± 2°	18± 4°	10± 2°	18± 4°	10± 2°	25± 5°
OT (min.)	55°	65°	55°	65°	55°	65°	60°
MD (max.)	10°	7°	10°	7°	10°	7°	16°
TT (min.)	80°	80°	80°	80°	80°	80°	90°
OP	-	-	-	-	-	-	-
TTp (max.)	-	-	-	-	-	-	-
	WLC-B*	WLC-C**	WLD-A	WLD-B*	WLD-C**	WLE-A	
OF (max.)	900g	260g	980g	980g	290g	1360g	
RF (min.)	50g	10g	120g	120g	25g	150g	
PT	25± 5°	25± 5°	Max. 20°	Max. 20°	Max. 20°	6± 1°	
OT (min.)	60°	60°	70°	70°	70°	40°	
MD (max.)	16°	16°	10°	10°	10°	3°	
TT (min.)	90°	90°	90°	90°	90°	40°	
OP	-	-	-	-	-	-	
TTp (max.)	-	-	-	-	-	-	

* : Operating characteristics of these types are those measured at the arm length of 38 mm.

** : Operating characteristics of these types are those measured at the lever length of 140 mm.

C. THE OPERATING CHARACTERISTICS OF SPECIAL TYPES ARE THE SAME WITH THE TABLE ABOVE.

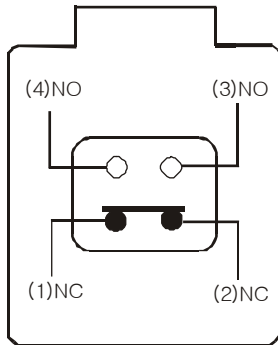
■ Approvals

Approval	Standard	File No.
UL	UL508	E150950
CE	EN60947-5-1	NA
CSA	CSA std C22.2	LR65601-13

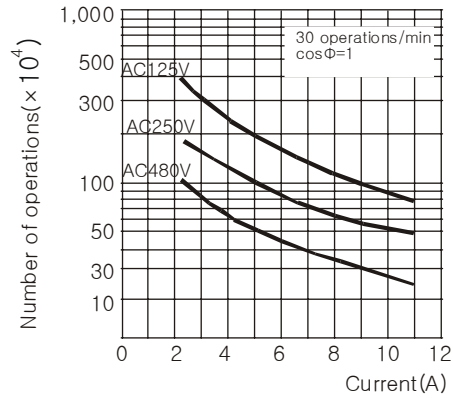
General Purpose Limit Switch

SZL-WL series

■ Circuitry



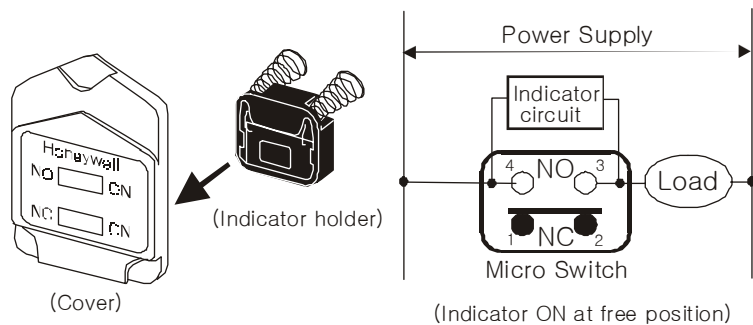
■ Electrical Life Curve



■ Indicator Installation

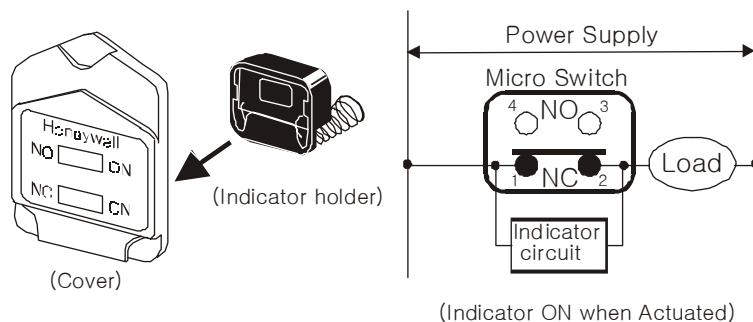
<Free Position Mode>

- Indicator is positioned to fit to the NC-ON window of the cover and the spring is aligned to NO contacts.
- Indicator is On when NC contacts are closed (at free position), then goes Off when NO contacts are closed (when actuated).
- Every switch is shipped out of factory with this mode.



<Operation mode>

- Indicator is positioned to fit to the NO-ON window of the cover and the spring is aligned to NC contacts
- Indicator is On when NO contacts are closed (when actuated), then goes Off when NC contacts are closed (when released).
- NO-ON mode and NC-ON mode can be switched to each other by rotating the indicator holder.



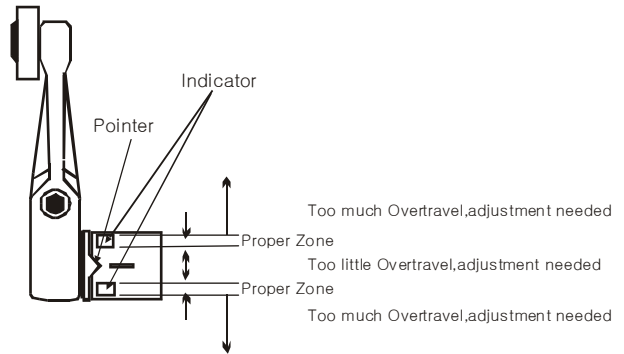
General Purpose Limit Switch

SZL-WL series

■ Set Position Indicator

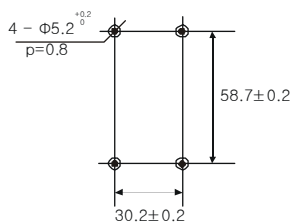
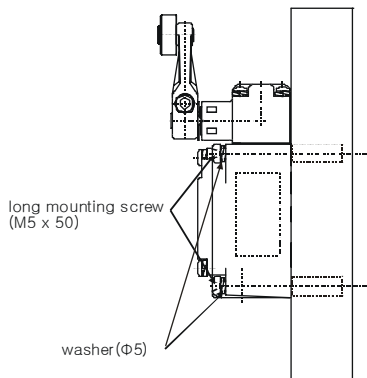
<Proper Operation Zone>

The two convex surface indicators on the shaft housing show the operating zones for proper operation to help you do simple installation and maintenance. Too much overtravel may cause short mechanical life due to possible damage to the switch mechanism.

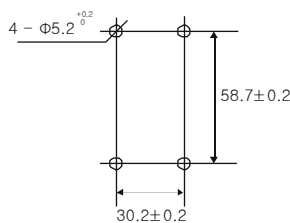
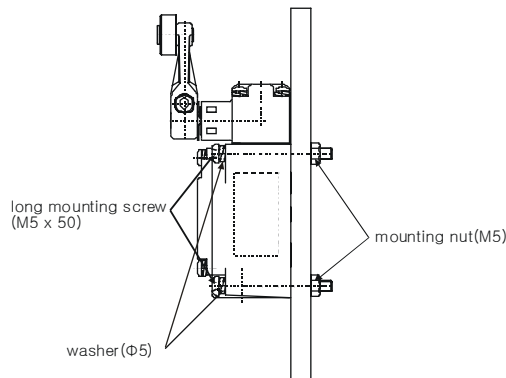


■ Mounting Dimensions

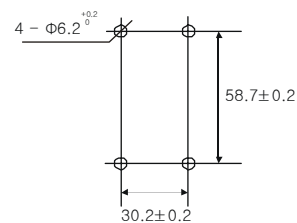
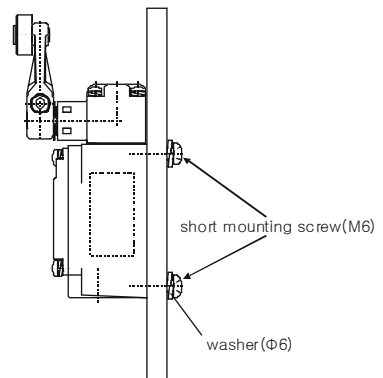
<Surface Mounting>



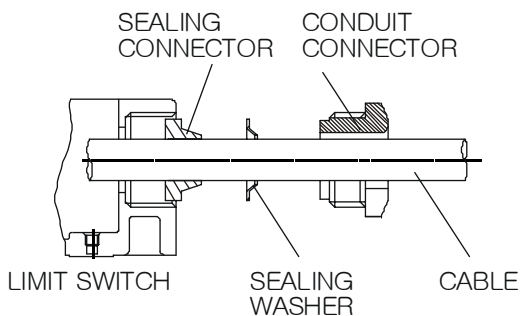
<Through hole mounting>



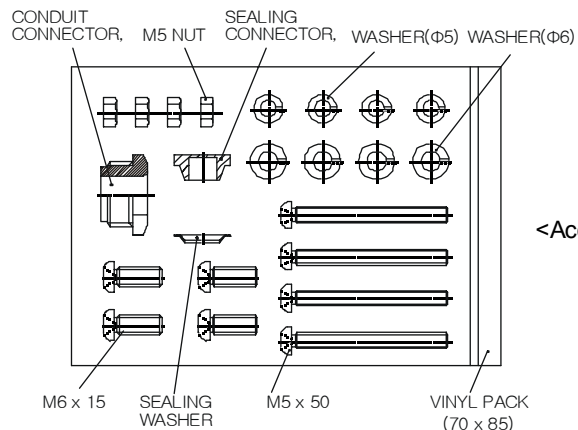
<Rear mounting>



■ Sealing/Mounting Accessory



<Use of Conduit Sealing Accessory>



<Accessory Package>

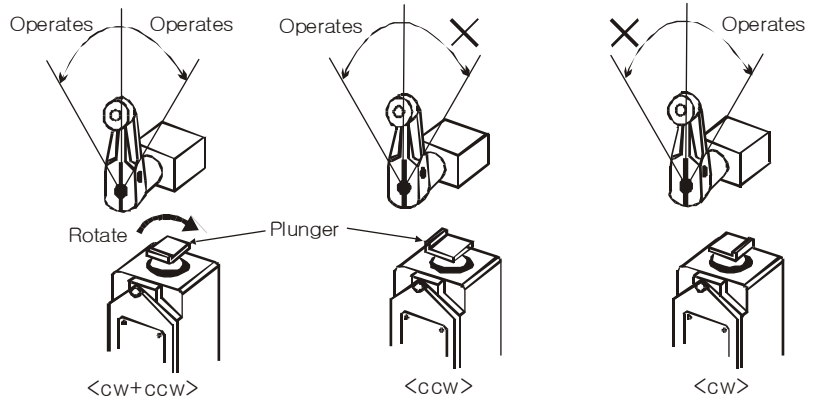
General Purpose Limit Switch

SZL-WL series

■ One Side Action Mode

<Standard/High precision type>

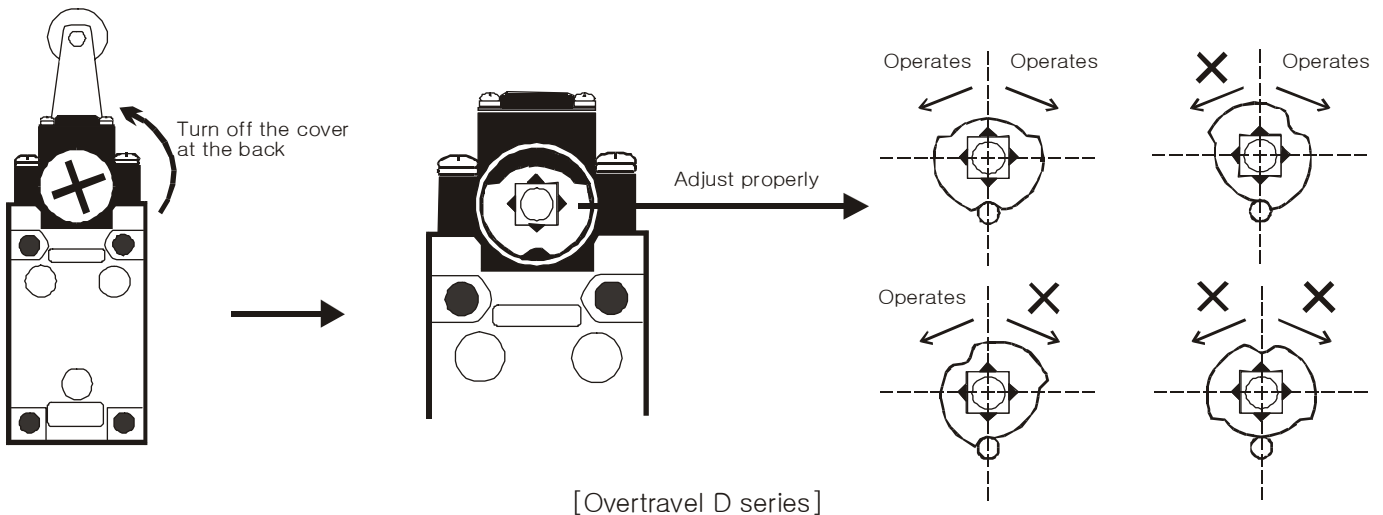
All side rotary switches of Standard type and High-Precision type can be set to actuate one side only. Clockwise and counterclockwise mode is Available by rotating the plunger inside the operating head as shown in the picture to the right.



[Standard Type / High Precision Type]

<Overtravel D series>

Every listing of overtravel D series switches can be set to one side action mode by rotating the cam inside the operating head as shown in the picture below.



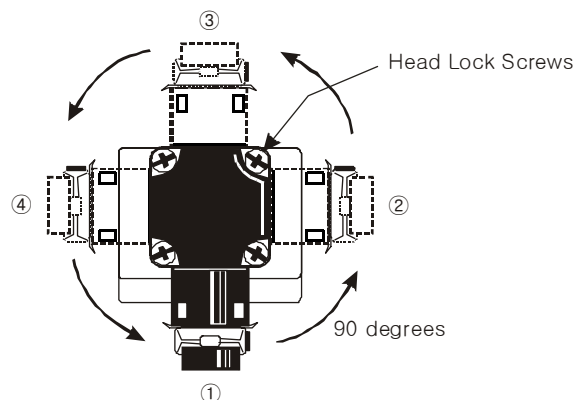
[Overtravel D series]

■ Operating Head Direction Change

<90° Incremental Rotation>

Many types of SZL-WL limit switches provide the function of head direction change with 90° increment. The operating head can be set to any of the four positions by loosening the four head lock screws as shown in the picture to the right. This function is applied to all side rotary lever types and SZL-WL-D,P,E,G,H,J.

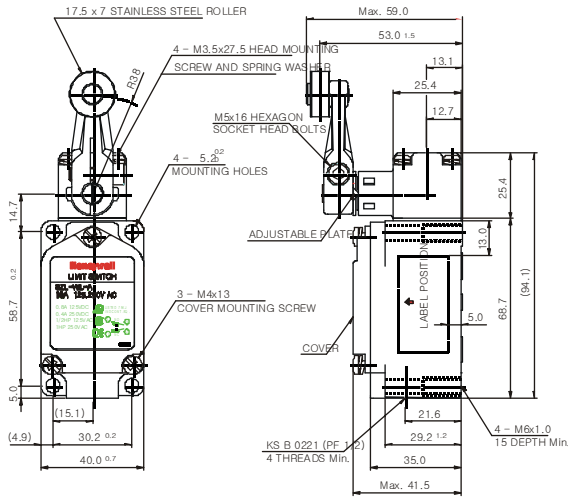
The head of overtravel D series can be set to direction ① and ③ only.



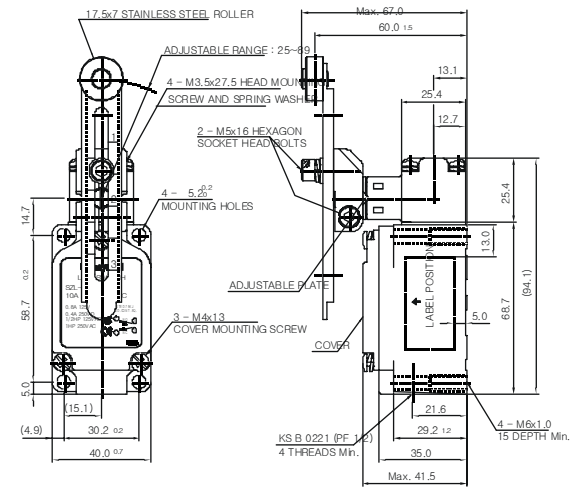
General Purpose Limit Switch

SZL-WL series

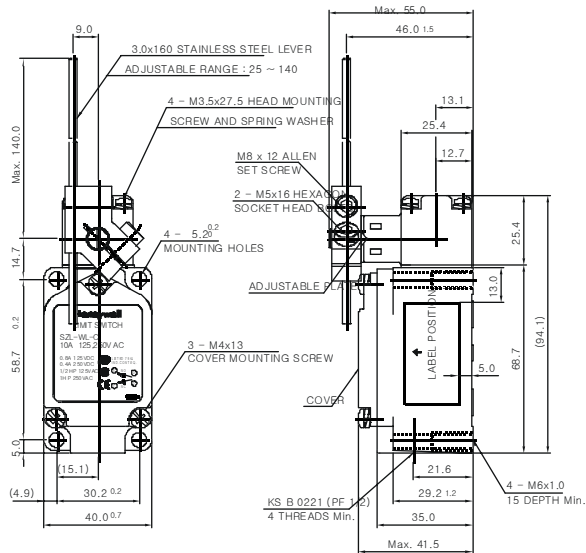
■ Dimensions



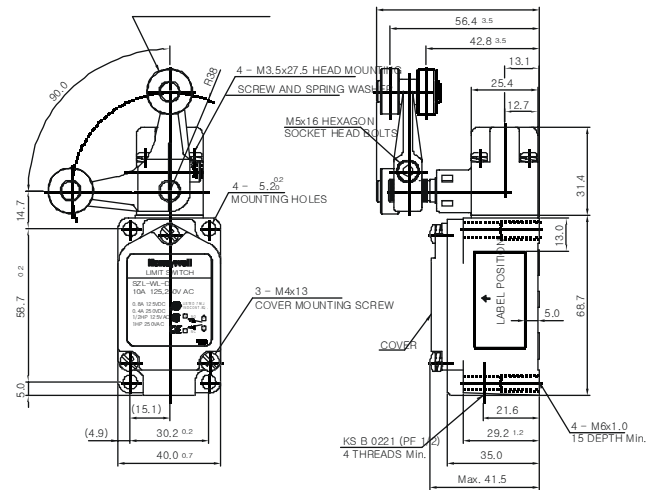
<SZL-WL-A>



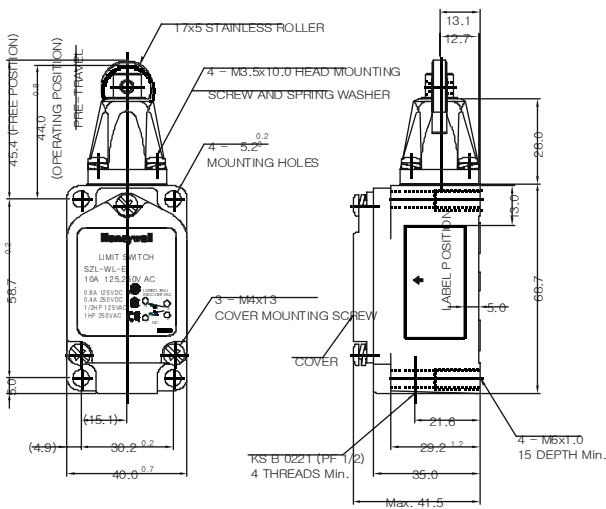
<SZL-WL-B>



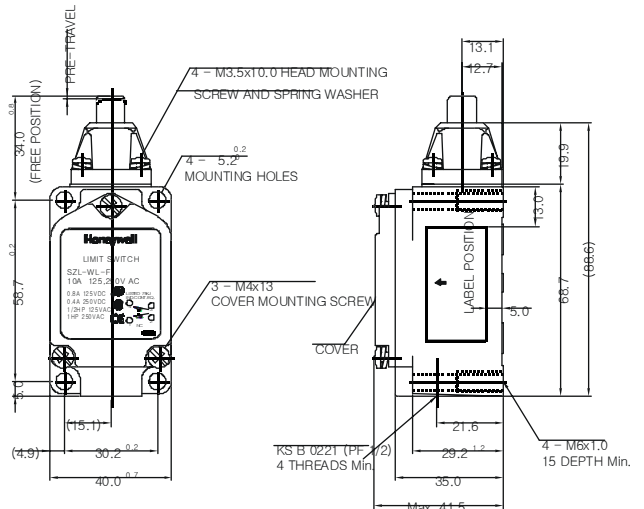
<SZL-WL-C>



<SZL-WL-D,P>



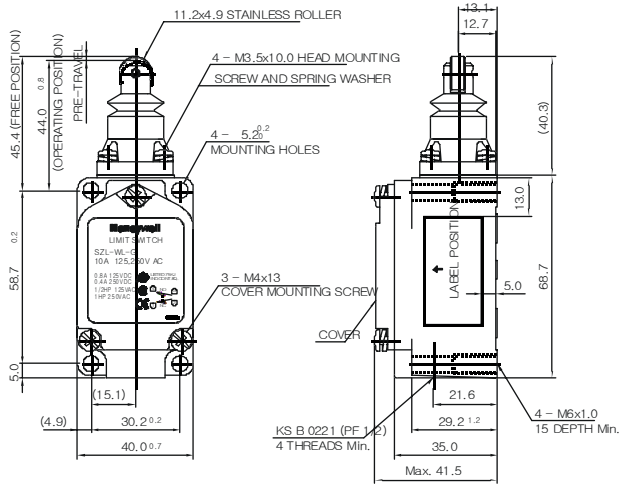
<SZL-WL-E>



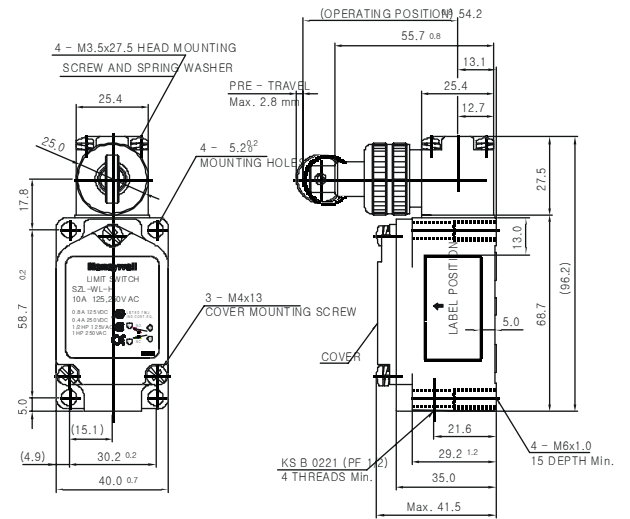
<SZL-WL-F>

General Purpose Limit Switch

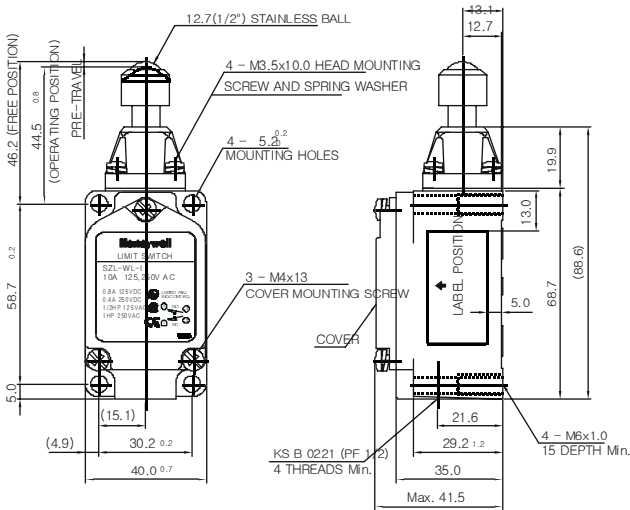
SZL-WL series



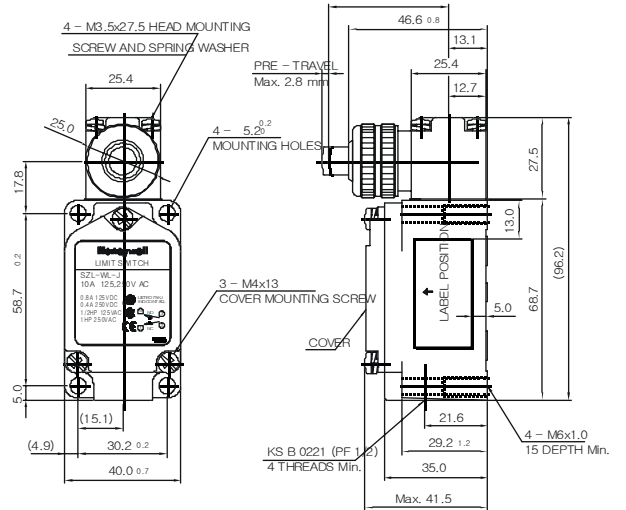
<SZL-WL-G>



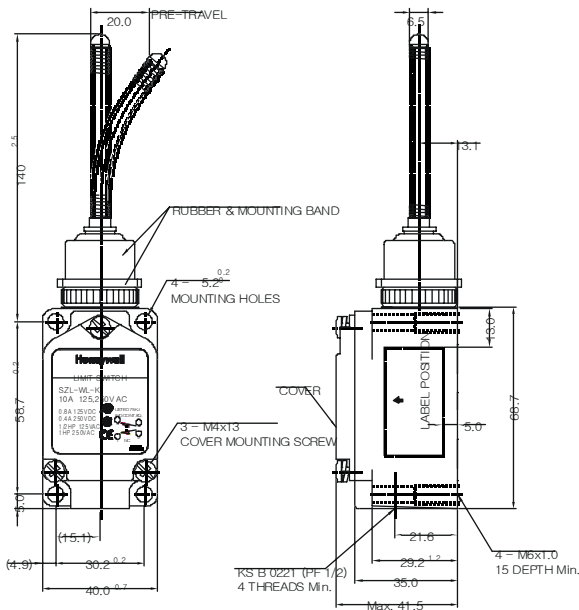
<SZL-WL-H>



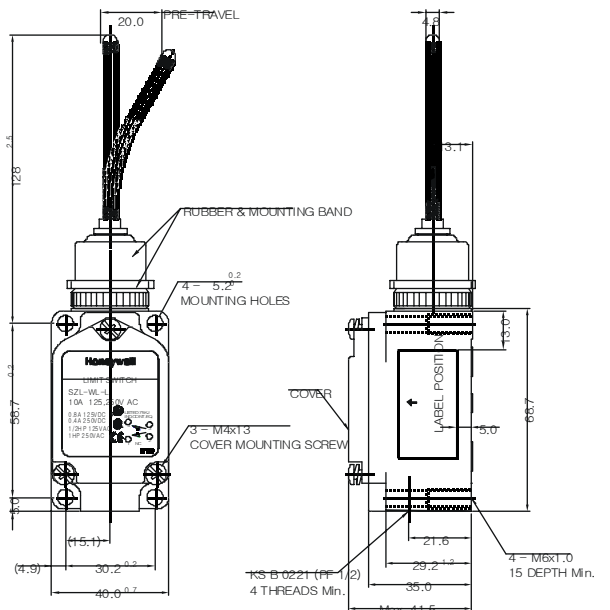
<SZL-WL-I>



<SZL-WL-J>



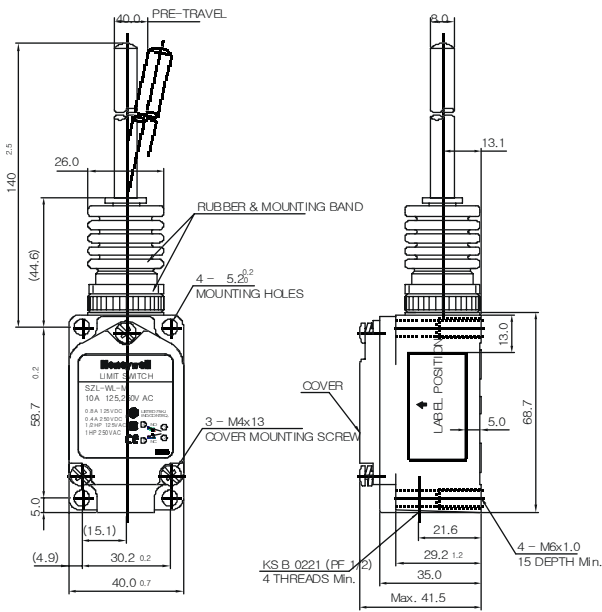
<SZL-WL-K>



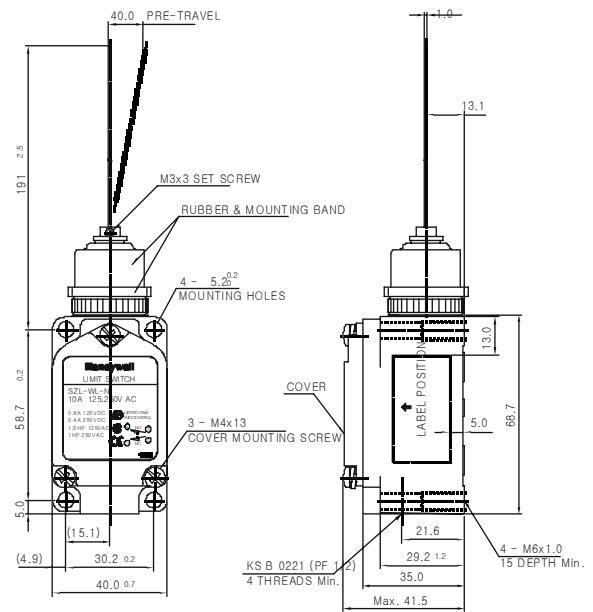
<SZL-WL-L>

General Purpose Limit Switch

SZL-WL series

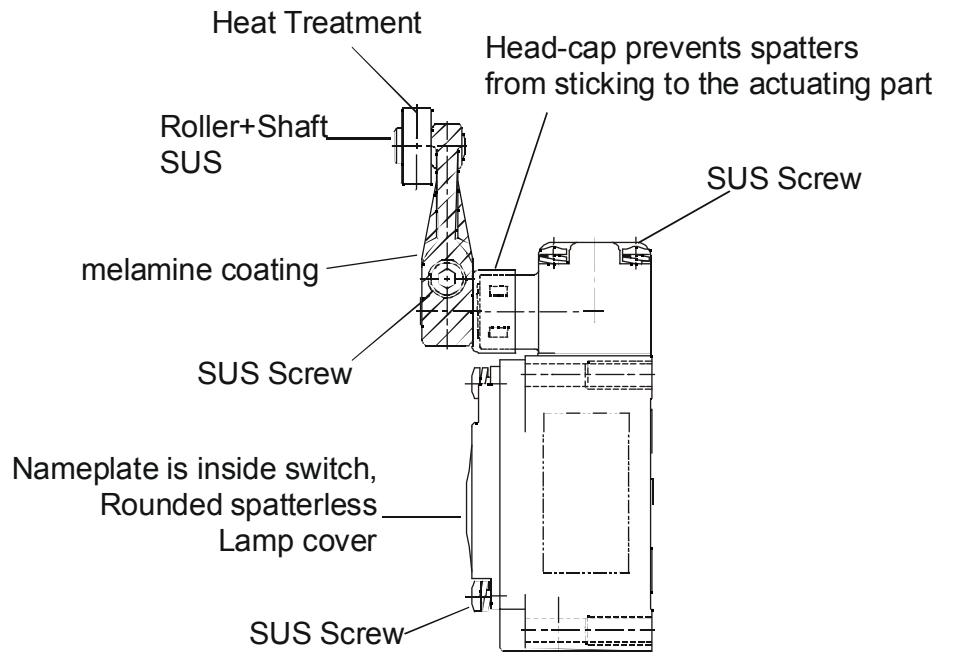


<SZL-WL-M>



<SZL-WL-N>

- Weld-immune types (special type dedicated to welding lines primarily for automotive factory floor)

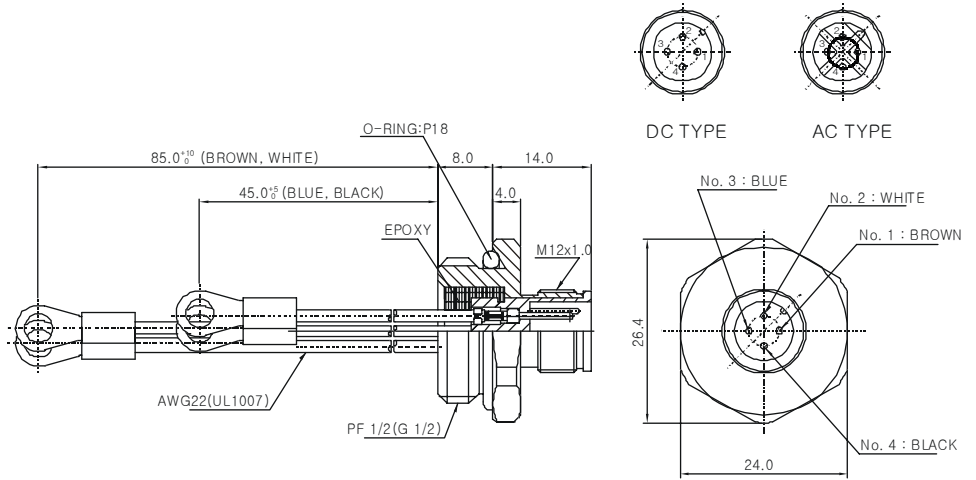


SZL-WL-A-LLE

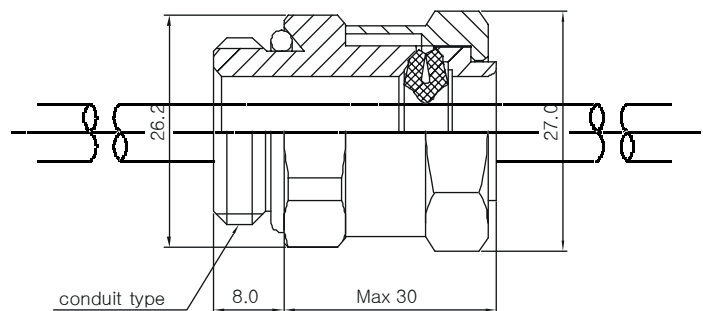
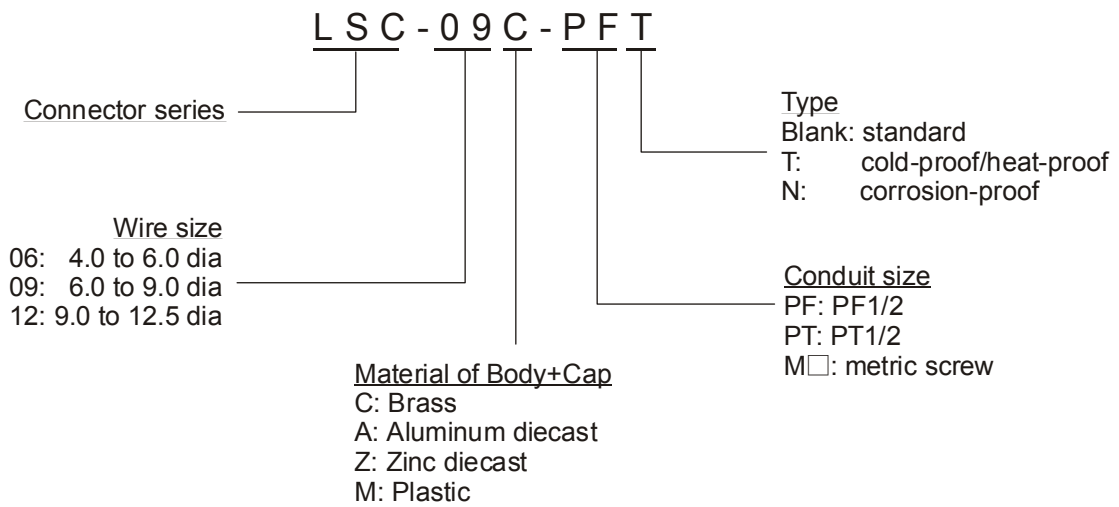
General Purpose Limit Switch

SZL-WL series

ZLC-4DRM-85



Seal Connector



General Purpose Limit Switch

SZL-WL series

Warranty/Remedy

Honeywell warrants goods of its manufacture as being free of defective material and faulty workmanship. Contact your local sales office for warranty information. If warranted goods are returned to Honeywell during that period of coverage, Honeywell will repair or replace without charge those items it finds defective. The foregoing is Buyer's sole remedy and **is in lieu of all other warranties, expressed or implied, including those of merchantability and fitness for a particular purpose.**

While we provide application assistance, personally and through our literature, it is up to the customer to determine the suitability of the product in the application.

Specifications may change at any time without notice. The information we supply is believed to be accurate and reliable as of this printing. However, we assume no responsibility for its use.

Sales and Service

Honeywell serves its customers through a worldwide network of sales offices and distributors. For application assistance, current specifications, pricing, or name of the nearest Authorized Distributor, contact your local sales office or:

INTERNET: www.honeywell.com/sensing

E-mail: info.sc@honeywell.com

ASIA PACIFIC

Sensing and Control Asia Pacific Headquarters
Phone: +(65)355-2828
Fax: +(65)445-3033

Australia
Honeywell Limited
Phone: +(61)2-9370-4500
Fax: +(61)2-9370-4525
Toll Free 1300-36-39-36
Toll Free Fax: 1300-36-04-70

China — PRC — Beijing
Honeywell China Inc.
Phone: +(86-10)6561-0208
Ext.205
Fax: +(86-10)6561-0618

China — PRC — Shanghai
Honeywell China Inc.
Phone: +(86-21)6534-9181
Fax: +(86-21)6534-2248

China — Hong Kong S.A.R.
Honeywell Ltd.
Phone: +(852)2331-9133
Fax: +(852)2331-9998

China — PRC — Chengdu
Honeywell China Inc.
Phone: +(86-28)6786-348
Fax: +(86-28)6787-061

China — PRC — Guangzhou
Honeywell China Inc.
Phone: +(86-20)3879-1169
Fax: +(86-20)3879-1269

China — PRC — Shenzhen
Honeywell China Inc.
Phone: +(86)755-518-1226
Fax: +(86)755-518-1221

Indonesia
Honeywell Indonesia Pte Ltd.
Phone: +(6221)521-3330
Fax: +(6221)521-3735

India
TATA Honeywell Ltd.
Phone: +(91)20 6875- 6875-534
Fax: +(91)20 6875-992

Japan
Honeywell Inc
Phone: +(81)3 5440 1395
Fax: +(81)3 5440 1314

South Korea
Honeywell Korea Co Ltd.
Phone: +(822)799-6114
Fax: +(82)792-9011

Malaysia
Honeywell Engineering Sdn Bhd.
Phone: +(603)7958-4988
Fax: +(603)7958-8922

New Zealand
Honeywell Limited
Phone: +(649)623-5050
Fax: +(649)623-5060
Toll Free 0800-202-088

Philippines
Honeywell Systems (Philippines) Inc.
Phone: +(632)636-1649
Fax: +(632)636-1650

Singapore
Honeywell South East Asia
Phone: +(65)355-2828
Fax: +(65)445-3033

Thailand
Honeywell Systems (Thailand) Ltd.
Phone: +(662)693-3099
Fax: +(662)693-3085

Taiwan R.O.C.
Honeywell Taiwan Ltd.
Phone: +(8862)2245-1000
Fax: +(8862)2245-3242

EUROPE

Austria
Honeywell Austria GmbH.
Phone: +(43)1 727 80 366/246
Fax: +(43)1 727 80 337

Belgium
Honeywell SA/NV
Phone: +(32)2 728 2522
Fax: +(32)2 728 2502

Bulgaria
Honeywell EOOD
Phone: +(359)2 79 40 27
Fax: +(359)2 79 40 90

Czech Republic
Honeywell spol.s.r.o.
Phone: +(420)2 6112 6112
Fax: +(420)2 6112 3461

Denmark
Honeywell A/S
Phone: +(45)39 55 55 55
Fax: +(45)39 55 55 58

Finland
Honeywell OY
Phone: +(358)9 3480101
Fax: +(358)9 34801375

France
Honeywell SA
Phone: +(33)1 60 19 82 68
Fax: +(33)1 60 19 81 73

Germany
Honeywell AG
Phone: +(49)69 8064 444
Fax: +(49)69 8064 442

Hungary
Honeywell Kft.
Phone: +(361)451 4300
Fax: +(361)451 4343

Italy
Honeywell S.p.A.
Phone: +(39)02 92146 450/456
Fax: +(39)02 92146 490

The Netherlands
Honeywell B.V.
Phone: +(31)20 565 69 11
Fax: +(31)20 565 66 00

Norway
Honeywell A/S
Phone: +(47)66 76 20 00
Fax: +(47)66 76 20 90

Poland
Honeywell Sp.z.o.o.
Phone: +(48)22 606 0900
Fax: +(48)22 606 0901

Portugal
Honeywell Portugal Lda.
Phone: +(351 21)424 50 00
Fax: +(351 21)424 50 99

Romania
Honeywell Bucharest
Phone: +(40)1 2110076
Fax: +(40)1 2103375

Commonwealth of Independent States (CIS)
Z.A.O. Honeywell
Phone: +(7 095)796 98 36
Fax: +(7 095)796 98 93

Slovak Republic
Honeywell s.r.o.
Phone: +(421 7)58247 403/400
Fax: +(421 7)58247 415

South Africa (Republic of)
Honeywell Southern Africa
Honeywell S.A. Pty. Ltd.
Phone: +(27)11 805 1211
Fax: +(27)11 805 1354

Spain
Honeywell S.A.
Phone: +(34)91 313 6100
Fax: +(34)91 313 6129

Sweden
Honeywell AB
Phone: +(46)8 775 55 00
Fax: +(46)8 775 56 00

Switzerland
Honeywell AG.
Phone: +(41)1 855 24 40
Fax: +(41)1 855 24 45

Turkey
Honeywell Turkey A.S.
Phone: +(90)216 464 4764
Fax: +(90)216 464 4794

United Kingdom
Honeywell Control Systems Ltd.
Phone: +(44)118 906 2600
Fax: +(44)118 981 7513

Mediterranean & African Distributors
Honeywell SpA
Phone: +(39)2 921 46 232
Fax: +(39)2 921 46 233

Middle East Headquarters
Honeywell Middle East Ltd.
Phone: +(9712)443 2119
Fax: +(9712)443 2536

NORTH AMERICA

Canada
Honeywell LTD.
Phone: 1-800-737-3360
Fax: 1-800-565-4130

USA
Honeywell Sensing and Control, International Headquarters
Phone: 1-800-537-6945
1-815-235-6847
Fax: 1-815-235-6545
E-mail: info.sc@honeywell.com

LATIN AMERICA

Argentina
Honeywell S.A.I.C.
Phone: +(54 11)4383-3637
Fax: +(54 11)4325-6470

Brazil
Honeywell do Brasil & Cia
Phone: +(55 11)7266-1900
Fax: +(55 11)7266-1905

Chile
Honeywell Chile, S.A.
Phone: +(56 2)233-0688
Fax: +(56 2)231-6679

Columbia
Honeywell Columbia, S.A.
Phone: +(57 1)623-3239/3051
Fax: +(57 1)623-3395

Ecuador
Honeywell S.A.
Phone: +(593 2)981-560/1
Fax: +(593 2)981-562

Mexico
Honeywell S.A. de C.V.
Phone: +(52 5)259 1966
Fax: +(52 5)570-2985

Puerto Rico
Honeywell Inc.
Phone: +(809)792-7075
Fax: +(809)792-0053

Venezuela
Honeywell CA
Phone: +(58 2)238-0211
Fax: +(58 2)238-3391

Sensing & Control

Honeywell Korea.
191, Hangangro-2 Ga, Yongsan-Gu
Seoul 140-702 Korea
www.honeywell.com/sensing
email: S&C_AP@singapore.honeywell.com



Printed with Soy Ink
on 50% Recycled Paper

X-ON Electronics

Largest Supplier of Electrical and Electronic Components

Click to view similar products for [Honeywell manufacturer](#):

Other Similar products are found below :

[87268-13](#) [BZLN-200-LH](#) [9811604](#) [986BAA05](#) [A47-15K](#) [GSCC07C](#) [450004083880002](#) [MLH025BSD14E](#) [VPR10F40K](#) [86932-B00000100-01](#) [66195074-001](#) [82000-11](#) [14CE16-3N28](#) [A47100K](#) [28006-01](#) [82CX2](#) [363X-2K](#) [AML22CBM3AA](#) [STV.2413-574-00262](#) [82412-81](#) [WLS1A01AA1A](#) [SC5E-4K](#) [AML31LBE4AC](#) [AML21LBE3BC](#) [AML54-E10L](#) [AML61ED4D](#) [VP25K800](#) [M00558-00](#) [HIH9120-021-001S](#) [MLH500PSL09A](#) [3500](#) [00270038](#) [2B5](#) [VC5E150](#) [614201](#) [91MCE2-P5](#) [HFD3023-500-BAA](#) [AML51-K10RR](#) [14CE102-6G](#) [PB-11635](#) [3455R](#) [00820509](#) [1PD1](#) [GLEB01A4J](#) [STA12](#) [AML51-H10B](#) [AML56-H10GY](#) [AML51-K10WW](#) [82014-11](#) [43192871-003](#) [ASDXRRX010ND7A3](#) [4A21BAA11](#)