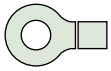
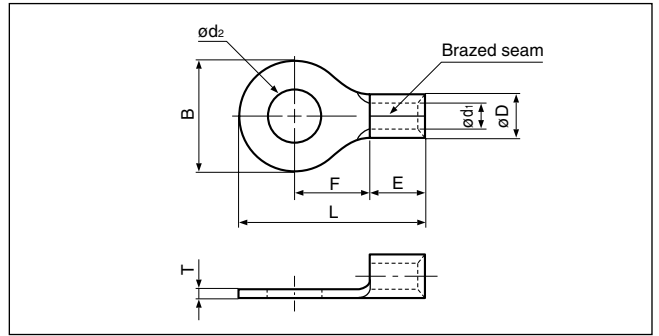


Solderless terminals



RING TONGUE (R type) Non-insulated



JQ0608019
 JQID08002
 JIS JQMY14001
 JIS C 2805

Certificate No.: E42024 LR20812 JQMY14001
 JIS C 2805

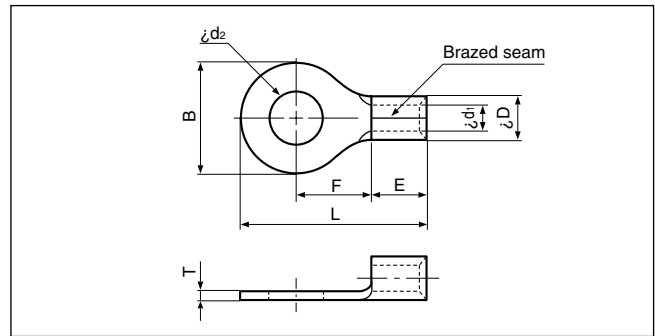
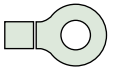
Applicable Wire AWG#(mm ²)	Stud size		Part No.		Standard	Dimensions mm (in.)								Tool No.	Qty/box
	American	Metric	JST	JIS		ϕd_2	B	L	F	E	ϕD	ϕd_1	T		
26 to 22 (0.2 to 0.5)	1-2	2	0.5-2			2.2 (.087)	5.2 (.205)	12.4 (.488)	5.8 (.228)	4.0 (.157)	2.0 (.079)	1.0 (.039)	0.5 (.020)	YHT-2622 YA-1 YA-2 BCT-0514L	1,000
	3-4	3	0.5-3			3.2 (.126)	5.2 (.205)	12.4 (.488)	5.8 (.228)						
	5-6	3.5	0.5-3.7			3.7 (.146)	6.6 (.260)	15.0 (.591)	7.7 (.303)						
	8	4	0.5-4			4.3 (.169)	6.6 (.260)	15.0 (.591)	7.7 (.303)						
	10	5	0.5-5			5.3 (.209)	8.0 (.315)	15.0 (.591)	7.0 (.276)						
22 to 16 (0.25 to 1.65)	1-2	2	1.25-2			2.2 (.087)	5.5 (.217)	11.5 (.453)	4.0 (.157)	4.8 (.189)	3.4 (.134)	1.7 (.067)	0.8 (.031)	YHT-2210 YA-1 YA-2 YA-4 BCT-0514L	1,000
	3-4	3	1.25-3	R1.25-3			3.2 (.126)	5.5 (.217)	11.5 (.453)						
	3-4	3	1.25-MS3			3.2 (.126)	5.5 (.217)	13.2 (.520)	5.6 (.220)						
	3-4	3	1.25-M3.3			3.2 (.126)	6.6 (.260)	14.4 (.567)	6.3 (.248)						
	3-4	3	1.25-L3			3.2 (.126)	8.0 (.315)	15.8 (.622)	7.0 (.276)						
	5-6	3.5	1.25-3.7			3.7 (.146)	5.5 (.217)	11.5 (.453)	4.0 (.157)						
	5-6	3.5	1.25-P3.5			3.7 (.146)	5.5 (.217)	13.9 (.547)	6.3 (.248)						
	5-6	3.5	1.25-M3	R1.25-3.5			3.7 (.146)	6.6 (.260)	14.4 (.567)						
	5-6	3.5	1.25-L3.7			3.7 (.146)	8.0 (.315)	15.8 (.622)	7.0 (.276)						
	8	4	1.25-M4			4.3 (.169)	6.6 (.260)	14.4 (.567)	6.3 (.248)						
	8	4	1.25-4	R1.25-4		4.3 (.169)	8.0 (.315)	15.8 (.622)	7.0 (.276)						
	8	4	1.25-4NS			4.3 (.169)	9.0 (.354)	20.4 (.803)	11.1 (.437)						
	10	5	1.25-5	R1.25-5			5.3 (.209)	8.0 (.315)	15.8 (.622)						
	10	5	1.25-5NS			5.3 (.209)	9.0 (.354)	20.4 (.803)	11.1 (.437)						
	10	5	1.25-L5			5.3 (.209)	11.6 (.457)	21.7 (.854)	11.1 (.437)						
	1/4	6	1.25-6			6.4 (.252)	11.6 (.457)	21.7 (.854)	11.1 (.437)						
	5/16	8	1.25-8			8.4 (.331)	11.6 (.457)	21.7 (.854)	11.1 (.437)						
3/8	9	1.25-9			9.8 (.386)	13.6 (.535)	25.5(1.004)	13.9 (.547)							
3/8	10	1.25-10			10.5 (.413)	13.6 (.535)	25.5(1.004)	13.9 (.547)							
1/2	12	1.25-12			13.0 (.512)	19.0 (.748)	31.0(1.220)	16.7 (.657)							
16 to 14 (1.04 to 2.63)	1-2	2	2-S2			2.2 (.087)	6.4 (.252)	12.3 (.484)	4.3 (.169)	4.8 (.189)	4.1 (.161)	2.3 (.091)	0.8 (.031)	YHT-2210 YA-1 YA-2 YA-4 BCT-0514L	1,000
	3-4	3	2-MS3			3.2 (.126)	5.5 (.217)	13.2 (.520)	5.6 (.220)						
	3-4	3	2-S3.3			3.2 (.126)	6.4 (.252)	12.3 (.484)	4.3 (.169)						
	3-4	3	2-M3.3			3.2 (.126)	6.6 (.260)	14.4 (.567)	6.3 (.248)						
	3-4	3	2-3			3.2 (.126)	8.5 (.335)	16.8 (.661)	7.8 (.307)						
	5-6	3.5	2-MS3.5			3.7 (.146)	5.5 (.217)	13.9 (.547)	6.3 (.248)						
	5-6	3.5	2-S3			3.7 (.146)	6.4 (.252)	12.3 (.484)	4.3 (.169)						
	5-6	3.5	2-M3	R2-3.5			3.7 (.146)	6.6 (.260)	14.4 (.567)						
	5-6	3.5	2-P3.5			3.7 (.146)	7.0 (.276)	16.0 (.630)	7.7 (.303)						
	5-6	3.5	2-3.7			3.7 (.146)	8.5 (.335)	16.8 (.661)	7.8 (.307)						
	8	4	2-M4			4.3 (.169)	6.6 (.260)	14.4 (.567)	6.3 (.248)						
	8	4	2-P4			4.3 (.169)	7.0 (.276)	16.0 (.630)	7.7 (.303)						
	8	4	2-4	R2-4		4.3 (.169)	8.5 (.335)	16.8 (.661)	7.8 (.307)						
	8	4	2-4NS			4.3 (.169)	9.0 (.354)	20.3 (.799)	11.0 (.433)						
	10	5	2-M5			5.3 (.209)	8.5 (.335)	16.8 (.661)	7.8 (.307)						
	10	5	2-5NS			5.3 (.209)	9.0 (.354)	20.3 (.799)	11.0 (.433)						
	10	5	2-5	R2-5			5.3 (.209)	9.5 (.374)	16.8 (.661)						
1/4	6	2-6	R2-6		6.4 (.252)	12.0 (.472)	21.8 (.858)	11.0 (.433)							
5/16	8	2-8	R2-8		8.4 (.331)	12.0 (.472)	21.8 (.858)	11.0 (.433)							

Note:1) Products with the JIS mark conform to JIS C2805.

2) The part numbers indicated in the above table are for products with a brazed seam.

When ordering products with a nominal size of 0.5 to 5.5 with a butted seam, add the prefix "WS" to the part number (ex.2-4 ->WS2-4).

3) Delivery lead times may vary depending on the product. Contact JST for details.



Applicable Wire AWG#(mm ²)	Stud size		Part No.		Standard	Dimensions mm (in.)								Tool No.	Qty/box					
	American	Metric	JST	JIS		ϕd_2	B	L	F	E	ϕD	ϕd_1	T							
16 to 14 (1.04 to 2.63)	3/8	9	2-9		UL CS	9.8 (.386)	13.6 (.535)	25.5(1.004)	13.9 (.547)	4.8 (.189)	4.1 (.161)	2.3 (.091)	0.8 (.031)	YHT-2210 YA-1 YA-2 YA-4 BCT-0514L	1,000					
	3/8	10	2-10			10.5 (.413)	13.6 (.535)	25.5(1.004)	13.9 (.547)											
	1/2	12	2-12			13.0 (.512)	19.0 (.748)	31.0(1.220)	16.7 (.675)						500					
	1/2	14	2-14			15.0 (.591)	27.0(1.063)	39.5(1.555)	21.2 (.835)											
	5/8	16	2-16			17.0 (.669)	27.0(1.063)	39.5(1.555)	21.2 (.835)											
	3/4	20	2-20			21.0 (.827)	27.0(1.063)	39.5(1.555)	21.2 (.835)											
14 to 12 (3.5)	3-4	3	3.5-R3		UL CS	3.2 (.126)	8.0 (.315)	17.8 (.707)	9.0 (.354)	4.8 (.189)	4.8 (.189)	2.7 (.106)	1.0 (.039)	YHT-2210 (Dies mark. 5) BCT-0514L	1,000					
	8	4	3.5-R4			4.3 (.169)	8.0 (.315)	17.8 (.707)	9.0 (.354)											
	8	4	3.5-4			4.3 (.169)	10.3 (.406)	18.6 (.732)	8.6 (.339)											
	10	5	3.5-R5			5.3 (.209)	8.0 (.315)	17.8 (.707)	9.0 (.354)											
	10	5	3.5-5			5.3 (.209)	10.3 (.406)	18.6 (.732)	8.6 (.339)											
	1/4	6	3.5-6			6.4 (.252)	10.3 (.406)	18.6 (.732)	8.6 (.339)											
12 to 10 (2.63 to 6.64)	3-4	3	5.5-S3.3		UL CS	3.2 (.126)	7.2 (.283)	15.7 (.618)	5.9 (.232)	5.6 (.220)	3.4 (.134)	1.0 (.039)	YHT-2210 YA-1 YA-2 YA-4 BCT-0514L	500						
	3-4	3	5.5-3			3.2 (.126)	9.5 (.374)	19.8 (.780)	8.3 (.327)						6.2 (.244)					
	5-6	3.5	5.5-S3			3.7 (.146)	7.2 (.283)	15.7 (.618)	5.9 (.232)						6.8 (.268)					
	5-6	3.5	5.5-S3.7			3.7 (.146)	9.5 (.374)	19.8 (.780)	8.3 (.327)						6.2 (.244)					
	8	4	5.5-S4			4.3 (.169)	7.2 (.283)	15.7 (.618)	5.9 (.232)						6.8 (.268)					
	8	4	5.5-4NS		UL CS JIS	4.3 (.169)	8.0 (.315)	19.1 (.752)	8.3 (.327)					6.2 (.244)					1,000	
	8	4	5.5-4	R5.5-4		4.3 (.169)	9.5 (.374)	19.8 (.780)	8.3 (.327)										500	
	10	5	5.5-5NS		UL CS JIS	5.3 (.209)	8.0 (.315)	19.1 (.752)	8.3 (.327)					1,000					500	
	10	5	5.5-5	R5.5-5		5.3 (.209)	9.5 (.374)	19.8 (.780)	8.3 (.327)										1,000	
	10	5	5.5-S5		UL CS	5.3 (.209)	13.2 (.520)	22.4 (.882)	9.0 (.354)					6.8 (.268)					500	
	1/4	6	5.5-6NS			6.4 (.252)	9.0 (.354)	24.3 (.957)	13.0 (.512)										1,000	
	1/4	6	5.5-6	R5.5-6	UL CS JIS	6.4 (.252)	12.0 (.472)	25.8(1.016)	13.0 (.512)					6.8 (.268)						500
	1/4	6	5.5-S6			6.4 (.252)	13.2 (.520)	22.4 (.882)	9.0 (.354)											
	1/4	6	5.5-L6		UL CS	6.4 (.252)	15.0 (.591)	28.0(1.102)	13.7 (.539)					6.8 (.268)						
	5/16	8	5.5-S8			8.4 (.331)	13.2 (.520)	22.4 (.882)	9.0 (.354)											
	5/16	8	5.5-8	R5.5-8	UL CS JIS	8.4 (.331)	15.0 (.591)	28.0(1.102)	13.7 (.539)					6.8 (.268)						
	3/8	9	5.5-9			9.8 (.386)	15.0 (.591)	28.0(1.102)	13.7 (.539)											
	3/8	10	5.5-10	R5.5-10	UL CS JIS	10.5 (.413)	15.0 (.591)	28.0(1.102)	13.7 (.539)					6.8 (.268)						
	1/2	12	5.5-12			13.0 (.512)	19.2 (.756)	32.4(1.276)	16.0 (.630)											
	1/2	14	5.5-14		UL CS	15.0 (.591)	32.0(1.260)	48.1(1.894)	25.3 (.996)					6.8 (.268)						
5/8	16	5.5-16		17.0 (.669)		32.0(1.260)	48.1(1.894)	25.3 (.996)												
11/16	18	5.5-18		19.0 (.748)		32.0(1.260)	48.1(1.894)	25.3 (.996)												
3/4	20	5.5-20		21.0 (.827)		32.0(1.260)	48.1(1.894)	25.3 (.996)												

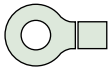
Note:1) Products with the JIS mark ㉞ conform to JIS C2805.

2) The part numbers indicated in the above table are for products with a brazed seam.

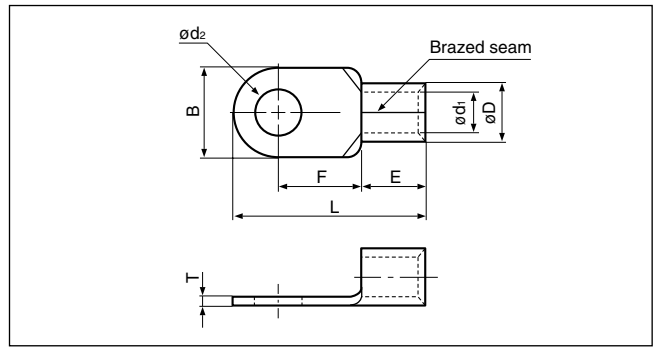
When ordering products with a nominal size of 0.5 to 5.5 with a butted seam, add the prefix "WS" to the part number (ex.5.5-4 →WS5.5-4).

3) Delivery lead times may vary depending on the product. Contact JST for details.

Solderless terminals

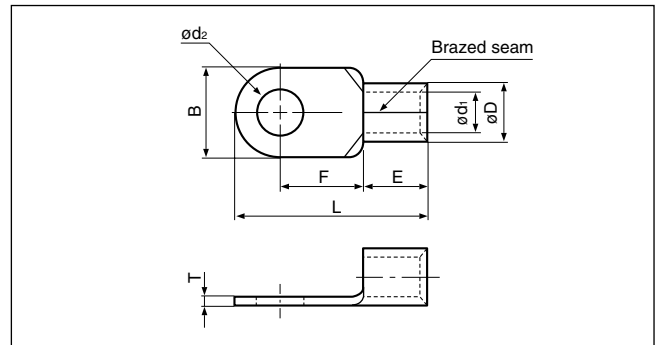
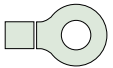


RING TONGUE (R type) Non-insulated

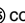


Applicable Wire AWG#(mm ²)	Stud size		Part No.		Standard	Dimensions mm (in.)							Tool No.	Qty/box	
	American	Metric	JST	JIS		ød ₂	B	L	F	E	øD	ød ₁			T
8 (6.64 to 10.52)	8	4	8-NK4			4.3 (.169)	9.0 (.354)	16.5 (.650)	5.8 (.228)	6.2 (.244)	7.1 (.280)	4.5 (.177)	1.2 (.047)	YA-4 YPT-60N YF-1 YET-60-1 E-4 EP-1 (Note 2)	500
	8	4	8-4NS			4.3 (.169)	8.0 (.315)	21.8 (.858)	9.3 (.366)	8.5 (.335)				YHT-8S YA-4, YA-5 YPT-60N YPT-150-1 BCT-0514L BCT-860L BCT-8150 YF-1 YET-60-1 E-4 YET-150-1 EP-1 YET-60-1	1,000
	8	4	8-4			4.3 (.169)	12.0 (.472)	23.8 (.937)	9.3 (.366)	8.5 (.335)				YA-4 YPT-60N YF-1 YET-60-1 E-4 EP-1 (Note 2)	500
	10	5	8-NK5			5.3 (.209)	9.0 (.354)	16.5 (.650)	5.8 (.228)	6.2 (.244)				YHT-8S YA-4 YA-5 YPT-60N YPT-150-1 BCT-0514L BCT-860L BCT-8150 YF-1 YET-60-1 E-4 YET-150-1 EP-1 YET-60-1	1,000
	10	5	8-5NS			5.3 (.209)	9.0 (.354)	22.3 (.878)	9.3 (.366)	8.5 (.335)				500	
	10	5	8-5	R8-5		5.3 (.209)	12.0 (.472)	23.8 (.937)	9.3 (.366)					500	
	10	5	8-L5NS			5.3 (.209)	9.0 (.354)	26.8(1.055)	13.8 (.543)					1,000	
	10	5	8-L5			5.3 (.209)	15.0 (.591)	29.8(1.173)	13.8 (.543)					500	
	1/4	6	8-6NS			6.4 (.252)	9.6 (.378)	22.6 (.890)	9.3 (.366)					YHT-8S	1,000
	1/4	6	8-6	R8-6		6.4 (.252)	12.0 (.472)	23.8 (.937)	9.3 (.366)					YA-4 YA-5	500
	1/4	6	8-L6			6.4 (.252)	15.0 (.591)	29.8(1.173)	13.8 (.543)					YPT-60N	1,000
	5/16	8	8-8NS			8.4 (.331)	11.5 (.453)	28.1(1.106)	13.8 (.543)					YPT-150-1 BCT-0514L BCT-860L BCT-8150	500
	5/16	8	8-8	R8-8		8.4 (.331)	15.0 (.591)	29.8(1.173)	13.8 (.543)					YF-1 YET-60-1 E-4 YET-150-1 EP-1 YET-60-1	200
	3/8	9	8-9			9.8 (.386)	15.0 (.591)	29.8(1.173)	13.8 (.543)						
	3/8	10	8-10	R8-10		10.5 (.413)	15.0 (.591)	29.8(1.173)	13.8 (.543)						
	3/8	10	8-L10			10.5 (.413)	20.0 (.787)	33.5(1.319)	15.0 (.591)						
	7/16	11	8-11			11.5 (.453)	20.0 (.787)	33.5(1.319)	15.0 (.591)						
	1/2	12	8-12			13.0 (.512)	20.0 (.787)	33.5(1.319)	15.0 (.591)						
	1/2	14	8-14			15.0 (.591)	31.6(1.244)	50.0(1.969)	25.7(1.012)						
	5/8	16	8-16			17.0 (.669)	31.6(1.244)	50.0(1.969)	25.7(1.012)						
11/16	18	8-18			19.0 (.748)	31.6(1.244)	50.0(1.969)	25.7(1.012)							
3/4	20	8-20			21.0 (.827)	31.6(1.244)	50.0(1.969)	25.7(1.012)							

Note: 1) Products with the JIS mark conform to JIS C2805.
 2) Please use the die AD-901S for the pneumatic tool YA-4, and the die 8NK-6 for the hydraulic tools YPT-60N/YET-60-1.
 3) Delivery lead times may vary depending on the product. Contact JST for details.

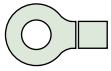


Applicable Wire AWG#(mm ²)	Stud size		Part No.		Standard	Dimensions mm (in.)							Tool No.	Qty/box					
	American	Metric	JST	JIS		od ₂	B	L	F	E	od	od ₁			T				
6 (10.52 to 16.78)	8	4	14-4			4.3 (.169)	12.0 (.472)	29.8(1.173)	13.3 (.524)	10.5 (.413)	9.0 (.354)	5.8 (.228)	1.5 (.059)	YA-4 YA-5 YPT-60N YPT-150-1 BCT-0514L BCT-860L BCT-8150 YF-1 YET-60-1 E-4 YET-150-1 EP-1 YET-60-1	200				
	8	4	14-NK4		UL SF	4.3 (.169)	12.2 (.480)	23.0 (.906)	7.7 (.303)	9.2 (.362)									
	10	5	14-5NS			5.3 (.209)	9.0 (.354)	28.3(1.114)	13.3 (.524)	10.5 (.413)									
		10	5		R14-5	UL SF US	5.3 (.209)	12.0 (.472)	29.8(1.173)	13.3 (.524)					10.5 (.413)				100
		10	5	14-NK5		UL SF	5.3 (.209)	12.2 (.480)	23.0 (.906)	7.7 (.303)					9.2 (.362)				200
		1/4	6	14-6NS			6.4 (.252)	9.6 (.378)	28.6(1.126)	13.3 (.524)					10.5 (.413)				100
		1/4	6	14-6	R14-6	UL SF US	6.4 (.252)	12.0 (.472)	29.8(1.173)	13.3 (.524)					10.5 (.413)				200
		1/4	6	14-L6			6.4 (.252)	16.0 (.630)	32.8(1.291)	14.5 (.571)					10.5 (.413)				
		5/16	8	14-8NS		UL SF	8.4 (.331)	11.5 (.453)	30.8(1.213)	14.5 (.571)					10.5 (.413)				
		5/16	8	14-S8			8.4 (.331)	12.0 (.472)	31.0(1.220)	14.5 (.571)					10.5 (.413)				
		5/16	8	14-8	R14-8	UL SF US	8.4 (.331)	16.0 (.630)	32.8(1.291)	14.5 (.571)					10.5 (.413)				
		3/8	9	14-9		UL SF	9.8 (.386)	16.0 (.630)	32.8(1.291)	14.5 (.571)					10.5 (.413)				
		3/8	10	14-10	R14-10	UL SF US	10.5 (.413)	16.0 (.630)	32.8(1.291)	14.5 (.571)					10.5 (.413)				
		3/8	10	14-L10		UL SF	10.5 (.413)	22.0 (.866)	41.0(1.614)	19.5 (.739)					10.5 (.413)				
		7/16	11	14-11		UL SF	11.5 (.453)	22.0 (.866)	41.0(1.614)	19.5 (.739)					10.5 (.413)				
		1/2	12	14-12	R14-12	UL SF US	13.0 (.512)	22.0 (.866)	41.0(1.614)	19.5 (.739)					10.5 (.413)				
		1/2	14	14-14	R14-14	UL SF US	15.0 (.591)	30.0(1.181)	49.0(1.929)	23.5 (.925)					10.5 (.413)				
	5/8	16	14-16			17.0 (.669)	31.6(1.244)	51.5(2.028)	25.2 (.992)	10.5 (.413)									
	11/16	18	14-18		UL SF	19.0 (.748)	31.6(1.244)	51.5(2.028)	25.2 (.992)	10.5 (.413)									
	3/4	20	14-20			21.0 (.827)	31.6(1.244)	51.5(2.028)	25.2 (.992)	10.5 (.413)									
4 (16.78 to 26.66)	10	5	22-5NS			5.3 (.209)	9.5 (.374)	28.7(1.130)	12.0 (.472)	12.0 (.472)	11.5 (.453)	7.7 (.303)	1.8 (.071)	YA-5 YPT-60N YPT-150-1 BCT-860L BCT-8150 YF-1 YET-60-1 E-4 YET-150-1 EP-1 YET-60-1	100				
	10	5	22-S5		UL SF	5.3 (.209)	12.0 (.472)	30.0(1.181)	12.0 (.472)										
	10	5	22-5			5.3 (.209)	16.5 (.650)	33.7(1.327)	13.5 (.531)										
		1/4	6	22-S6			6.4 (.252)	12.0 (.472)	30.0(1.181)							12.0 (.472)			
		1/4	6	22-6	R22-6	UL SF US	6.4 (.252)	16.5 (.650)	33.7(1.327)							13.5 (.531)			
		5/16	8	22-S8		UL SF	8.4 (.331)	12.0 (.427)	30.0(1.181)							12.0 (.472)			
		5/16	8	22-8	R22-8	UL SF US	8.4 (.331)	16.5 (.650)	33.7(1.327)							13.5 (.531)			
		3/8	9	22-9		UL SF	9.8 (.386)	17.5 (.689)	36.7(1.445)							16.0 (.630)			
		3/8	10	22-S10		UL SF	10.5 (.413)	16.5 (.650)	33.7(1.327)							13.5 (.531)			
		3/8	10	22-10	R22-10	UL SF US	10.5 (.413)	17.5 (.689)	36.7(1.445)							16.0 (.630)			
		7/16	11	22-11		UL SF	11.5 (.453)	22.0 (.866)	42.5(1.673)							19.5 (.768)			
		1/2	12	22-12	R22-12	UL SF US	13.0 (.512)	22.0 (.866)	42.5(1.673)							19.5 (.768)			
		1/2	14	22-14	R22-14	UL SF US	15.0 (.591)	30.0(1.181)	51.5(2.038)							24.5 (.965)			
		5/8	16	22-16			17.0 (.669)	30.0(1.181)	51.5(2.028)							24.5 (.965)			
	11/16	18	22-18		UL SF	19.0 (.748)	30.0(1.181)	51.5(2.028)	24.5 (.965)										
	3/4	20	22-20			21.0 (.827)	30.0(1.181)	51.5(2.028)	24.5 (.965)										

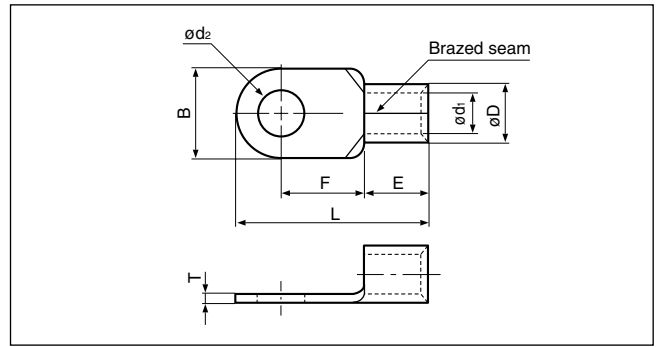
Note:1) Products with the JIS mark  conform to JIS C2805.

2) Delivery lead times may vary depending on the product. Contact JST for details.

Solderless terminals

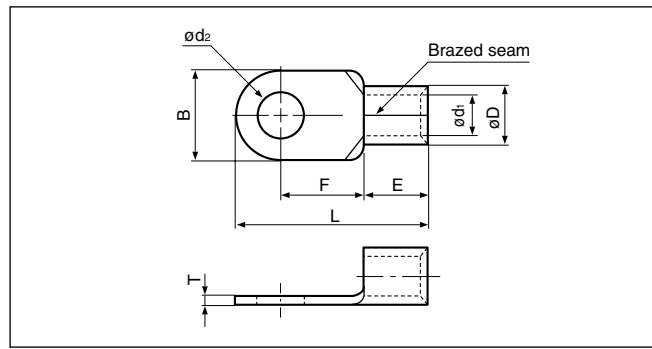
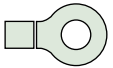


RING TONGUE (R type) Non-insulated



Applicable Wire AWG#(mm ²)	Stud size		Part No.		Standard	Dimensions mm (in.)								Tool No.	Qty/box
	American	Metric	JST	JIS		ød2	B	L	F	E	øD	ød1	T		
2 (26.66 to 42.42)	10	5	38-S5		UL SP	5.3 (.209)	15.5 (.610)	38.0(1.496)	16.0 (.630)	14.0 (.551)	13.3 (.524)	9.4 (.370)	1.8 (.071)	YA-5 YPT-60N YPT-150-1 BCT-860L BCT-8150 YF-1 YET-60-1 E-4 YET-150-1 EP-1 YET-60-1	100
	10	5	38-5			5.3 (.209)	22.0 (.866)	42.7(1.681)	17.7 (.697)						
	1/4	6	38-S6			6.4 (.252)	15.5 (.610)	38.0(1.496)	16.0 (.630)						
	1/4	6	38-6		6.4 (.252)	22.0 (.866)	42.7(1.681)	17.7 (.697)							
	5/16	8	38-S8		8.4 (.331)	15.5 (.610)	38.0(1.496)	16.0 (.630)							
	5/16	8	38-8	R38-8	UL SP JIS	8.4 (.331)	22.0 (.866)	42.7(1.681)	17.7 (.697)						
	5/16	8	38-L8		8.4 (.331)	30.0(1.181)	52.5(2.067)	23.5 (.925)							
	3/8	9	38-9		9.8 (.386)	22.0 (.866)	42.7(1.681)	17.7 (.697)							
	3/8	9	38-S9		9.8 (.386)	27.0(1.063)	38.0(1.496)	16.0 (.630)							
	3/8	10	38-S10		10.5 (.413)	15.5 (.610)	38.0(1.496)	16.0 (.630)							
	3/8	10	38-10	R38-10	UL SP JIS	10.5 (.413)	22.0 (.866)	42.7(1.681)	17.7 (.697)						
	3/8	10	38-L10		10.5 (.413)	30.0(1.181)	52.5(2.067)	23.5 (.925)							
	7/16	11	38-11		11.5 (.453)	22.0 (.866)	42.7(1.681)	17.7 (.697)							
	1/2	12	38-12	R38-12	UL SP JIS	13.0 (.512)	22.0 (.866)	42.7(1.681)	17.7 (.697)						
	1/2	14	38-14	R38-14	UL SP JIS	15.0 (.591)	30.0(1.181)	52.5(2.067)	23.5 (.925)						
5/8	16	38-16		17.0 (.669)	30.0(1.181)	52.5(2.067)	23.5 (.925)								
11/16	18	38-18		19.0 (.748)	30.0(1.181)	52.5(2.067)	23.5 (.925)								
3/4	20	38-20		21.0 (.827)	30.0(1.181)	52.5(2.067)	23.5 (.925)								
1/0 (42.42 to 60.57)	-	-	60-S0		UL SP	-	22.0 (.866)	49.7(1.957)	20.7 (.815)	18.0 (.709)	15.5 (.610)	11.4 (.449)	2.0 (.079)	YA-5 YPT-60N YPT-150-1 BCT-860L BCT-8150 YF-1 YET-60-1 E-4 YET-150-1 YET-300-1 YET-300N EP-1 YET-60-1	50
	1/4	6	60-S6		6.4 (.252)	16.0 (.630)	46.7(1.839)	20.7 (.815)							
	1/4	6	60-6		6.4 (.252)	22.0 (.866)	49.7(1.957)	20.7 (.815)							
	5/16	8	60-S8		8.4 (.331)	16.0 (.630)	46.7(1.839)	20.7 (.815)							
	5/16	8	60-8	R60-8	UL SP JIS	8.4 (.331)	22.0 (.866)	49.7(1.957)	20.7 (.815)						
	3/8	9	60-9		9.8 (.386)	22.0 (.866)	49.7(1.957)	20.7 (.815)							
	3/8	10	60-S10		10.5 (.413)	16.0 (.630)	46.7(1.839)	20.7 (.815)							
	3/8	10	60-10	R60-10	UL SP JIS	10.5 (.413)	22.0 (.866)	49.7(1.957)	20.7 (.815)						
	7/16	11	60-11		11.5 (.453)	22.0 (.866)	49.7(1.957)	20.7 (.815)							
	1/2	12	60-12	R60-12	UL SP JIS	13.0 (.512)	22.0 (.866)	49.7(1.957)	20.7 (.815)						
	1/2	14	60-14	R60-14	UL SP JIS	15.0 (.591)	32.0(1.260)	57.5(2.264)	23.5 (.925)						
	5/8	16	60-16		17.0 (.669)	32.0(1.260)	57.5(2.264)	23.5 (.925)							
	11/16	18	60-18		19.0 (.748)	32.0(1.260)	57.5(2.264)	23.5 (.925)							
3/4	20	60-20		21.0 (.827)	32.0(1.260)	57.5(2.264)	23.5 (.925)								
7/8	22	60-22		23.0 (.906)	32.0(1.260)	57.5(2.264)	23.5 (.925)								
2/0 (60.57 to 76.28)	1/4	6	70-6		UL SP	6.4 (.252)	24.0 (.945)	51.0(2.008)	20.0 (.787)	19.0 (.748)	17.5 (.689)	13.3 (.524)	2.0 (.079)	YPT-150-1 BCT-8150 YF-1 YET-150-1 E-4 YET-300-1 YET-300N	25
	5/16	8	70-8			8.4 (.331)	24.0 (.945)	51.0(2.008)	20.0 (.787)						
	3/8	9	70-9			9.8 (.386)	24.0 (.945)	51.0(2.008)	20.0 (.787)						
	3/8	10	70-10			10.5 (.413)	24.0 (.945)	51.0(2.008)	20.0 (.787)						
	7/16	11	70-11			11.5 (.453)	24.0 (.945)	51.0(2.008)	20.0 (.787)						
	1/2	12	70-12			13.0 (.512)	24.0 (.945)	51.0(2.008)	20.0 (.787)						
	1/2	14	70-14			15.0 (.591)	32.0(1.260)	61.0(2.402)	26.0(1.024)						
	5/8	16	70-16			17.0 (.669)	32.0(1.260)	61.0(2.402)	26.0(1.024)						
	11/16	18	70-18			19.0 (.748)	32.0(1.260)	61.0(2.402)	26.0(1.024)						
	3/4	20	70-20			21.0 (.827)	32.0(1.260)	61.0(2.402)	26.0(1.024)						
	7/8	22	70-22			23.0 (.906)	32.0(1.260)	61.0(2.402)	26.0(1.024)						

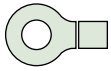
Note: 1) Products with the JIS mark conform to JIS C2805.
 2) Part numbers containing "S0" do not have stud holes.
 3) Delivery lead times may vary depending on the product. Contact JST for details.



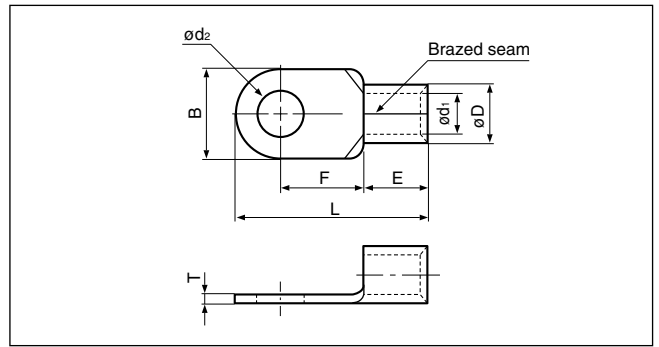
Applicable Wire AWG#(mm ²)	Stud size		Part No.		Standard	Dimensions mm (in.)							Tool No.	Qty/box		
	American	Metric	JST	JIS		ød ₂	B	L	F	E	øD	ød ₁			T	
3/0 (76.28 to 96.3)	-	-	80-S0		UL CSA C2805 SF	-	27.0(1.063)	54.2(2.134)	20.7 (.815)	20.0 (.787)	19.5 (.768)	14.5 (.571)	2.3 (.091)	YPT-150-1 BCT-8150 YF-1 YET-150-1 E-4 YET-300-1 YET-300N	25	
	1/4	6	80-6			6.4 (.252)	27.0(1.063)	54.2(2.134)	20.7 (.815)							
	5/16	8	80-8			8.4 (.331)	27.0(1.063)	54.2(2.134)	20.7 (.815)							
	5/16	8	80-L8			8.4 (.331)	32.0(1.260)	68.0(2.677)	32.0(1.260)							
	3/8	9	80-9			9.8 (.386)	27.0(1.063)	54.2(2.134)	20.7 (.815)							
	3/8	10	80-10			10.5 (.413)	27.0(1.063)	54.2(2.134)	20.7 (.815)							
	3/8	10	80-L10			10.5 (.413)	32.0(1.260)	68.0(2.677)	32.0(1.260)							
	7/16	11	80-11			11.5 (.453)	27.0(1.063)	54.2(2.134)	20.7 (.815)							
	1/2	12	80-12			13.0 (.512)	27.0(1.063)	54.2(2.134)	20.7 (.815)							
	1/2	12	80-L12			13.0 (.512)	32.0(1.260)	68.0(2.677)	32.0(1.260)							
	1/2	14	80-14			15.0 (.591)	32.0(1.260)	68.0(2.677)	32.0(1.260)							
	5/8	16	80-16			17.0 (.669)	32.0(1.260)	68.0(2.677)	32.0(1.260)							
	11/16	18	80-18			19.0 (.748)	32.0(1.260)	68.0(2.677)	32.0(1.260)							
	3/4	20	80-20			21.0 (.827)	32.0(1.260)	68.0(2.677)	32.0(1.260)							
4/0 (96.3 to 117.2)	-	-	100-S0		UL CSA C2805 SF	-	28.5(1.122)	55.6(2.189)	20.4 (.803)	21.0 (.827)	22.3 (.878)	16.4 (.646)	2.6 (.102)	YPT-150-1 BCT-8150 YF-1 YET-150-1 E-4 YET-300-1 YET-300N	25	
	1/4	6	100-L0			-	32.0(1.260)	69.0(2.717)	32.0(1.260)							
	1/4	6	100-6			6.4 (.252)	28.5(1.122)	55.6(2.189)	20.4 (.803)							
	5/16	8	100-8			8.4 (.331)	28.5(1.122)	55.6(2.189)	20.4 (.803)							
	5/16	8	100-L8			8.4 (.331)	32.0(1.260)	69.0(2.717)	32.0(1.260)							
	3/8	9	100-9			9.8 (.386)	28.5(1.122)	55.6(2.189)	20.4 (.803)							
	3/8	10	100-10	R100-10		UL CSA C2805 SF JIS	10.5 (.413)	28.5(1.122)	55.6(2.189)							20.4 (.803)
	3/8	10	100-L10			UL CSA C2805 SF	10.5 (.413)	32.0(1.260)	69.0(2.717)							32.0(1.260)
	7/16	11	100-11			UL CSA C2805 SF	11.5 (.453)	28.5(1.122)	55.6(2.189)							20.4 (.803)
	1/2	12	100-12	R100-12		UL CSA C2805 SF JIS	13.0 (.512)	28.5(1.122)	55.6(2.189)							20.4 (.803)
	1/2	12	100-L12			UL CSA C2805 SF	13.0 (.512)	32.0(1.260)	69.0(2.717)							32.0(1.260)
	1/2	14	100-14	R100-14		UL CSA C2805 SF JIS	15.0 (.591)	32.0(1.260)	69.0(2.717)							32.0(1.260)
	5/8	16	100-16	R100-16		UL CSA C2805 SF JIS	17.0 (.669)	32.0(1.260)	69.0(2.717)							32.0(1.260)
	11/16	18	100-18	R100-18		UL CSA C2805 SF JIS	19.0 (.748)	32.0(1.260)	69.0(2.717)							32.0(1.260)
3/4	20	100-20	R100-20	UL CSA C2805 SF	21.0 (.827)	32.0(1.260)	69.0(2.717)	32.0(1.260)								
7/8	22	100-22		UL CSA C2805 SF	23.0 (.906)	32.0(1.260)	69.0(2.717)	32.0(1.260)								

Note:1) Products with the JIS mark (JIS) conform to JIS C2805.
 2) Part numbers containing "S0" or "L0" do not have stud holes.
 3) Delivery lead times may vary depending on the product. Contact JST for details.

Solderless terminals

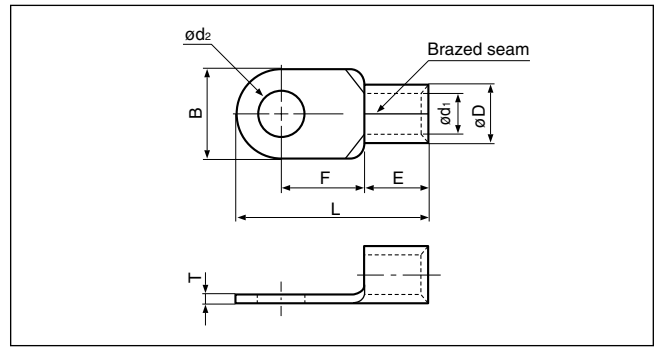
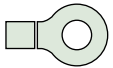


RING TONGUE (R type) Non-insulated



Applicable Wire AWG#(mm ²)	Stud size		Part No.	Standard	Dimensions mm (in.)								Tool No.	Qty/box	
	American	Metric			od ₂	B	L	F	E	øD	od ₁	T			
250/300 (117.2 to 152.05)	-	-	150-S0	UL ULITE SF	-	36.0(1.417)	66.0(2.600)	23.0 (.906)	27.0 (1.063)	26.5 (1.043)	19.5 (.768)	3.2 (.126)	YPT-150-1 BCT-8150 YF-1 YET-150-1 E-4 YET-300-1 YET-300N	20	
	-	-	150-L0		-	36.0(1.417)	81.0(3.189)	36.0(1.417)							
	1/4	6	150-6		6.4 (.252)	36.0(1.417)	66.0(2.600)	23.0 (.906)							
	5/16	8	150-8		8.4 (.331)	36.0(1.417)	66.0(2.600)	23.0 (.906)							
	5/16	8	150-L8		8.4 (.331)	36.0(1.417)	81.0(3.189)	36.0(1.417)							
	3/8	9	150-9		9.8 (.386)	36.0(1.417)	66.0(2.600)	23.0 (.906)							
	3/8	10	R150-10		UL ULITE SF JIS	10.5 (.413)	36.0(1.417)	66.0(2.600)							21.0 (.827)
	3/8	10	150-10		10.5 (.413)	36.0(1.417)	66.0(2.600)	23.0 (.906)							
	3/8	10	150-L10		UL ULITE SF	10.5 (.413)	36.0(1.417)	81.0(3.189)							36.0(1.417)
	7/16	11	150-11		11.5 (.453)	36.0(1.417)	66.0(2.600)	23.0 (.906)							
	1/2	12	R150-12	UL ULITE SF JIS	13.0 (.512)	36.0(1.417)	66.0(2.600)	21.0 (.827)							
	1/2	12	150-12	UL ULITE SF	13.0 (.512)	36.0(1.417)	66.0(2.600)	23.0 (.906)							
	1/2	12	150-L12	UL ULITE SF	13.0 (.512)	36.0(1.417)	81.0(3.189)	36.0(1.417)							
	1/2	14	R150-14	UL ULITE SF JIS	15.0 (.591)	36.0(1.417)	68.0(2.677)	23.0 (.906)							
	5/8	16	150-16	UL ULITE SF	17.0 (.669)	36.0(1.417)	66.0(2.600)	23.0 (.906)							
	5/8	16	R150-16	UL ULITE SF JIS	17.0 (.669)	36.0(1.417)	68.0(2.677)	23.0 (.906)							
	5/8	16	150-L16	UL ULITE SF	17.0 (.669)	36.0(1.417)	81.0(3.189)	36.0(1.417)							
	11/16	18	R150-18	UL ULITE SF JIS	19.0 (.748)	36.0(1.417)	81.0(3.189)	36.0(1.417)							
	3/4	20	R150-20	UL ULITE SF JIS	21.0 (.827)	36.0(1.417)	81.0(3.189)	36.0(1.417)							
	350 (152.05 to 192.60)	-	-	180-S0	UL ULITE SF	-	38.5(1.516)	69.0(2.717)							24.5 (.965)
-		-	180-L0	-		38.5(1.516)	86.8(3.417)	39.0(1.535)							
5/16		8	180-8	8.4 (.331)		38.5(1.516)	69.0(2.717)	24.5 (.965)							
5/16		8	180-L8	8.4 (.331)		38.5(1.516)	86.8(3.417)	39.0(1.535)							
3/8		10	180-10	10.5 (.413)		38.5(1.516)	69.0(2.717)	24.5 (.965)							
3/8		10	180-L10	10.5 (.413)		38.5(1.516)	86.8(3.417)	39.0(1.535)							
7/16		11	180-11	11.5 (.453)		38.5(1.516)	69.0(2.717)	24.5 (.965)							
1/2		12	180-12	13.0 (.512)		38.5(1.516)	69.0(2.717)	24.5 (.965)							
1/2		12	180-L12	13.0 (.512)		38.5(1.516)	86.8(3.417)	39.0(1.535)							
1/2		14	180-14	15.0 (.591)		38.5(1.516)	69.0(2.717)	24.5 (.965)							
5/8		16	180-L16	17.0 (.669)		38.5(1.516)	86.8(3.417)	39.0(1.535)							
5/8		16	180-16	17.0 (.669)		38.5(1.516)	69.0(2.717)	24.5 (.965)							
11/16		18	180-18	19.0 (.748)		38.5(1.516)	86.8(3.417)	39.0(1.535)							
3/4		20	180-20	21.0 (.827)		38.5(1.516)	86.8(3.417)	39.0(1.535)							
7/8		22	180-22	23.0 (.906)		38.5(1.516)	86.8(3.417)	39.0(1.535)							
15/16		24	180-24	25.0 (.984)		38.5(1.516)	86.8(3.417)	39.0(1.535)							
1		27	180-27	28.0 (1.102)		38.5(1.516)	86.8(3.417)	39.0(1.535)							

- Note:1) Products with the JIS mark conform to JIS C2805.
 2) Part numbers containing "S0" or "L0" do not have stud holes.
 3) Delivery lead times may vary depending on the product. Contact JST for details.



Applicable Wire AWG#(mm ²)	Stud size		Part No.	Standard	Dimensions mm (in.)							Tool No.	Qty/box		
	American	Metric			ϕd_2	B	L	F	E	ϕD	ϕd_1			T	
400 (192.60 to 242.27)	-	-	200-S0	UL CSF JIS	-	44.0(1.732)	72.0(2.835)	24.5 (.965)	31.5 (1.240)	32.7 (1.287)	24.0 (.945)	4.0 (.157)	YF-1 YET-300-1 E-4 YET-300N	10	
	-	-	200-L0		-	44.0(1.732)	91.0(3.583)	37.5(1.476)							
	12/16	8	200-8		8.4 (.331)	44.0(1.732)	72.0(2.835)	24.5 (.965)							
	5/16	8	200-L8		8.4 (.331)	44.0(1.732)	91.0(3.583)	37.5(1.476)							
	3/8	9	200-9		9.8 (.386)	44.0(1.732)	72.0(2.835)	24.5 (.965)							
	3/8	10	200-10		10.5 (.413)	44.0(1.732)	72.0(2.835)	24.5 (.965)							
	3/8	10	200-L10		10.5 (.413)	44.0(1.732)	91.0(3.583)	37.5(1.476)							
	7/16	11	200-11		11.5 (.453)	44.0(1.732)	72.0(2.835)	24.5 (.965)							
	1/2	12	200-12		13.0 (.512)	44.0(1.732)	72.0(2.835)	24.5 (.965)							
	1/2	12	R200-12		UL CSF JIS	13.0 (.512)	44.0(1.732)	78.0(3.071)							24.5 (.965)
	1/2	12	200-L12		UL CSF	13.0 (.512)	44.0(1.732)	91.0(3.583)							37.5(1.476)
	1/2	14	200-14		UL CSF	15.0 (.591)	44.0(1.732)	72.0(2.835)							24.5 (.965)
	1/2	14	R200-14		UL CSF JIS	15.0 (.591)	44.0(1.732)	78.0(3.071)							24.5 (.965)
	5/8	16	200-16		UL CSF	17.0 (.669)	44.0(1.732)	72.0(2.835)							24.5 (.965)
	5/8	16	R200-16		UL CSF JIS	17.0 (.669)	44.0(1.732)	78.0(3.071)							24.5 (.965)
	5/8	16	200-L16		UL CSF	17.0 (.669)	44.0(1.732)	91.0(3.583)							37.5(1.476)
	11/16	18	R200-18		UL CSF JIS	19.0 (.748)	44.0(1.732)	91.0(3.583)							37.5(1.476)
	3/4	20	R200-20		UL CSF JIS	21.0 (.827)	44.0(1.732)	91.0(3.583)							37.5(1.476)
7/8	22	R200-22	UL CSF JIS	23.0 (.906)	44.0(1.732)	91.0(3.583)	37.5(1.476)								
15/16	24	R200-24	UL CSF JIS	25.0 (.984)	44.0(1.732)	91.0(3.583)	37.5(1.476)								
1	27	R200-27	UL CSF JIS	28.0(1.102)	44.0(1.732)	91.0(3.583)	37.5(1.476)								
N.A. (250)	1/2	12	250-12		13.0 (.512)	44.0(1.732)	78.0(3.071)	24.5 (.965)	31.5 (1.240)	35.6 (1.402)	26.0 (1.024)	4.5 (.177)	YF-1 E-4 YET-300-1		
	1/2	14	250-14		15.0 (.591)										
	5/8	16	250-16		17.0 (.669)										
600/650 (242.27 to 325)	-	-	325-S0	UL CSF JIS	-	50.5(1.988)	88.0(3.465)	33.5(1.319)	35.5 (1.398)	37.6 (1.480)	28.0 (1.102)	4.5 (.177)	YF-1 YET-300-1 E-4 YET-300N	5	
	-	-	325-L0		-	50.5(1.988)	105.7(4.161)	45.0(1.772)							
	12/16	8	325-8		8.4 (.331)	50.5(1.988)	88.0(3.465)	33.5(1.319)							
	5/16	8	325-L8		8.4 (.331)	50.5(1.988)	105.7(4.161)	45.0(1.772)							
	3/8	10	325-10		10.5 (.413)	50.5(1.988)	88.0(3.465)	33.5(1.319)							
	3/8	10	325-L10		10.5 (.413)	50.5(1.988)	105.7(4.161)	45.0(1.772)							
	7/16	11	325-11		11.5 (.453)	50.5(1.988)	88.0(3.465)	33.5(1.319)							
	1/2	12	325-12		13.0 (.512)	50.5(1.988)	88.0(3.465)	33.5(1.319)							
	1/2	12	325-L12		13.0 (.512)	50.5(1.988)	105.7(4.161)	45.0(1.772)							
	1/2	14	325-14		15.0 (.591)	50.5(1.988)	88.0(3.465)	33.5(1.319)							
	5/8	16	325-16		17.0 (.669)	50.5(1.988)	88.0(3.465)	33.5(1.319)							
	5/8	16	R325-16		UL CSF JIS	17.0 (.669)	50.5(1.988)	94.2(3.709)							33.5(1.319)
	5/8	16	325-L16		UL CSF	17.0 (.669)	50.5(1.988)	105.7(4.161)							45.0(1.772)
	11/16	18	325-M18		UL CSF	19.0 (.748)	50.5(1.988)	94.2(3.709)							33.5(1.319)
	11/16	18	R325-18		UL CSF JIS	19.0 (.748)	50.5(1.988)	105.7(4.161)							45.0(1.772)
	3/4	20	R325-20		UL CSF JIS	21.0 (.827)	50.5(1.988)	105.7(4.161)							45.0(1.772)
	7/8	22	R325-22		UL CSF JIS	23.0 (.906)	50.5(1.988)	105.7(4.161)							45.0(1.772)
	15/16	24	R325-24		UL CSF JIS	25.0 (.984)	50.5(1.988)	105.7(4.161)							45.0(1.772)
1	27	R325-27	UL CSF JIS	28.0(1.102)	50.5(1.988)	105.7(4.161)	45.0(1.772)								

Note:1) Products with the JIS mark (JIS) conform to JIS C2805.
 2) Part numbers containing "S0" or "L0" do not have stud holes.
 3) Delivery lead times may vary depending on the product. Contact JST for details.

X-ON Electronics

Largest Supplier of Electrical and Electronic Components

Click to view similar products for JST manufacturer:

Other Similar products are found below :

[B02B-WPJSS-1 \(LF\)\(SN\)](#) [SGVHSF-002T-02](#) [IDH-KR-12](#) [10HR-4K](#) [WC-610M](#) [FNGS12-6](#) [TWE0.5-8](#) [YC-110R](#) [FVGS4-1 \(LF\)](#) [WC-800](#)
[WC-PUD2](#) [WC-SFH2](#) [S12B-J21DK-GGXR\(LF\)\(AU\)](#) [MKDP71002](#) [PSIP-06V-LE](#) [WC-SH2832](#) [WC-700M](#) [WC-121](#) [B3B-PH-SM4-](#)
[TB\(LF\)\(SN\)](#) [FVDDF5.5-375A \(LF\)](#) [FVWS2-M4 \(LF\)](#) [FVGS10-6 \(LF\)](#) [YHT-2622](#) [YC-670R](#) [YRS-243](#) [YRS-1090](#) [VLJ-20](#) [WC-0510DIN](#)
[WC-930](#) [WC-GVH2630](#) [S7B-ZR-3.4-\(LF\)\(SN\)](#) [S04B-XASS-1N-BN-\(LF\)\(SN\)](#) [YRS-852](#) [WC-691](#) [WC-1090](#) [IDB-12](#) [GTR1.5-8](#) [YRS-241](#)
[XAP-04V-1](#) [YRS-692](#) [YRS-480](#) [YRS-1091](#) [WC-JWPF](#) [S06B-ZESK-2D\(T\)\(LF\)\(SN\)](#) [WC1091](#) [WC-260P](#) [WC-530](#) [A03WS-MWT-N](#) [IDH-](#)
[NR-12](#) [LEBRP-01V-S](#)