

OPERATION MANUAL

FOR YHT-8S, YHT-14S



We link today and tomorrow

(HAND CRIMP TOOL FOR NON-INSULATED TERMINALS/SPLICES)

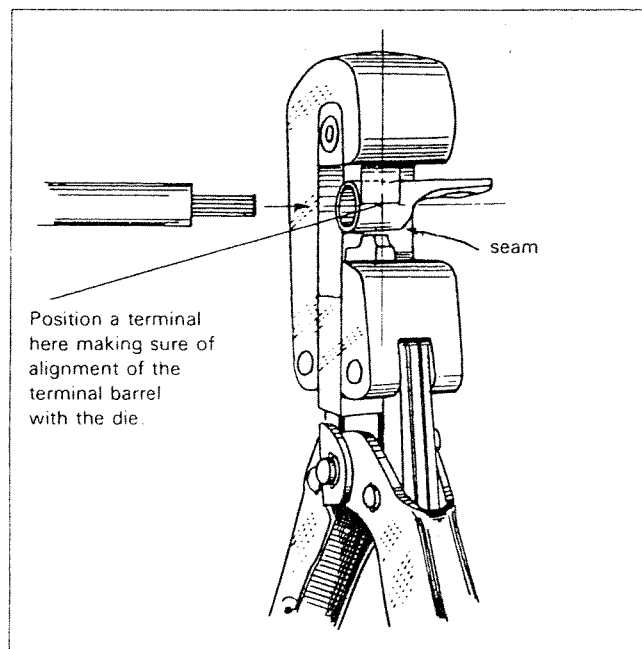


Proper Tool Selection Chart

Tool Model No.	Applicable Terminal/Splice		Applicable Wire Range	
	Non-Insulated Terminal	Non-Insulated Splice (butt-type, parallel-type)	mm ²	AWG #
YHT-8S	8	8	6.64~10.52	9~7
YHT-14S	14	14	10.52~16.78	7~5

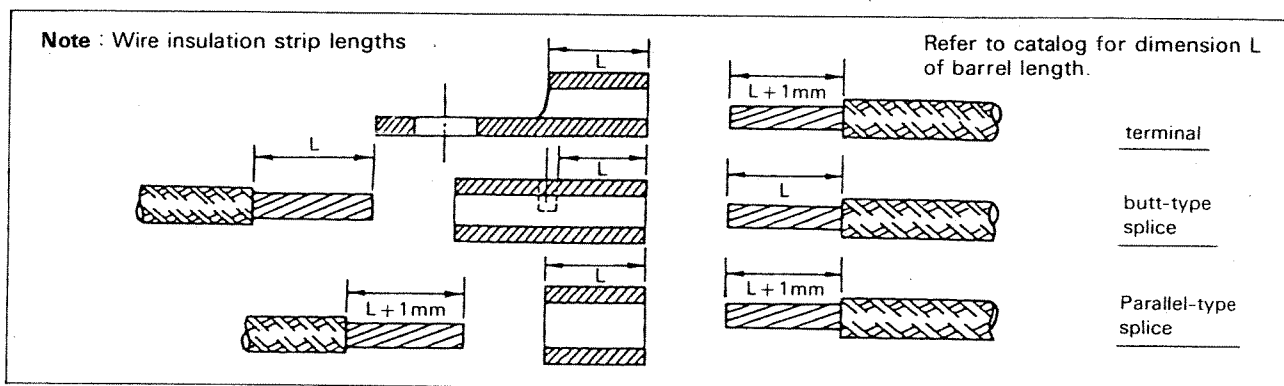
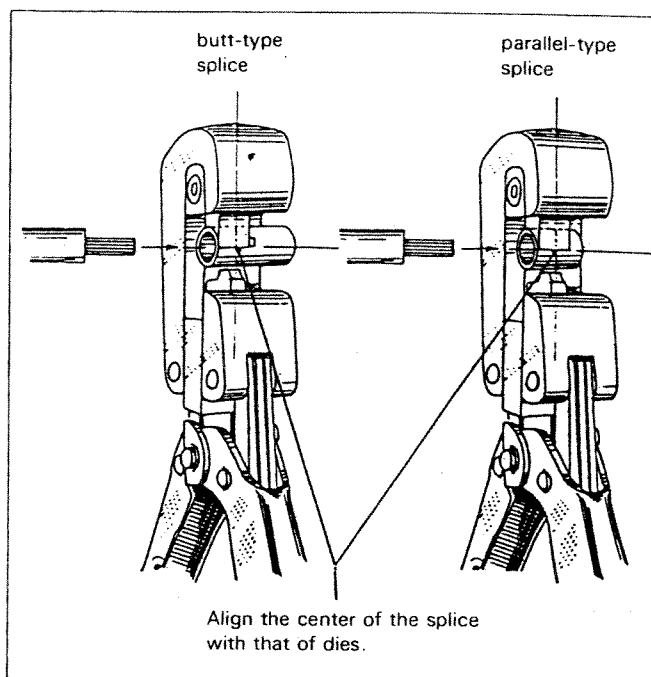
Crimp Operation

- (1) Squeeze handles until the ratchet releases. Then open handles by hands.
- (2) Position a connector in the dies, placing the silver brazed seam of the terminal on the center of the \square die, (punch).
- (3) Squeeze handles gently until the connector is held by the dies. Do not deform the terminal at this stage.
- (4) Now insert stripped wire(s) completely into the barrel of the terminal.
- (5) Squeeze handles completely, holding the wire by hand in proper position, until the ratchet releases.



(6) Open handles and remove the crimped terminal.

(7) Check that the terminal is properly crimped. When crimping a butt-type splice or a parallel-type splice, follow the same procedure as above after aligning the center of the barrel of the splice with that of the dies.



Suggestions

- (1) Make sure the correct tool and connector are used for each wire.
- (2) The ratchet mechanism does not allow handles to open until crimping is completed. Do not open handles by force.
- (3) Do not abuse the tools or use in a manner not intended. (ex. as hammer or pliers)
- (4) Periodically oil the moving parts and pins. If the tool is not to be used for an extended period of time, store it in a cloth or paper after supplying oil to all parts of the tool.
- (5) Do not use the tool with rust, damage or foreign particles on the dies.
- (6) Do not use the tool if broken or damaged in any way. Return to JST or the nearest representative. Do not attempt to repair or adjust.
- (7) Before operation, make sure :-
 - a. Dies are clean without damage, rust or dirt.
 - b. Ratchet mechanism functions well.
 - c. Terminals are properly crimped. (Try a couple of samples and check the appearance and wire tensile strength.)

X-ON Electronics

Largest Supplier of Electrical and Electronic Components

Click to view similar products for JST manufacturer:

Other Similar products are found below :

[B02B-WPJSS-1 \(LF\)\(SN\)](#) [SGVHSF-002T-02](#) [IDH-KR-12](#) [10HR-4K](#) [WC-610M](#) [FNGS12-6](#) [TWE0.5-8](#) [YC-110R](#) [FVGS4-1 \(LF\)](#) [WC-800](#)
[WC-PUD2](#) [WC-SFH2](#) [S12B-J21DK-GGXR\(LF\)\(AU\)](#) [MKDP71002](#) [PSIP-06V-LE](#) [WC-SH2832](#) [WC-700M](#) [WC-121](#) [B3B-PH-SM4-](#)
[TB\(LF\)\(SN\)](#) [FVDDF5.5-375A \(LF\)](#) [FVWS2-M4 \(LF\)](#) [FVGS10-6 \(LF\)](#) [YHT-2622](#) [YC-670R](#) [YRS-243](#) [YRS-1090](#) [VLJ-20](#) [WC-0510DIN](#)
[WC-930](#) [WC-GVH2630](#) [S7B-ZR-3.4-\(LF\)\(SN\)](#) [S04B-XASS-1N-BN-\(LF\)\(SN\)](#) [YRS-852](#) [WC-691](#) [WC-1090](#) [IDB-12](#) [GTR1.5-8](#) [YRS-241](#)
[XAP-04V-1](#) [YRS-692](#) [YRS-480](#) [YRS-1091](#) [WC-JWPF](#) [S06B-ZESK-2D\(T\)\(LF\)\(SN\)](#) [WC1091](#) [WC-260P](#) [WC-530](#) [A03WS-MWT-N](#) [IDH-](#)
[NR-12](#) [LEBRP-01V-S](#)