

25 x 38 Keystone Angled Faceplate Adaptor



Keystone angled adaptor faceplate 25 x 38 (KA6-45*ep)

These 25 x 38 angled adaptors have been designed for use with “6C” 25x38 faceplates and POD/GOP boxes

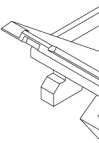
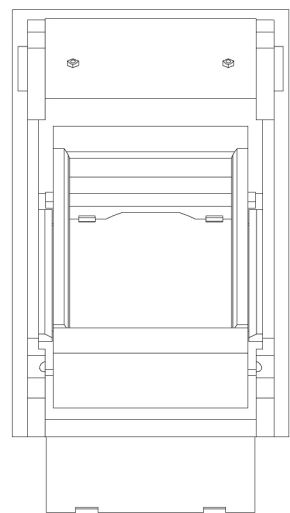
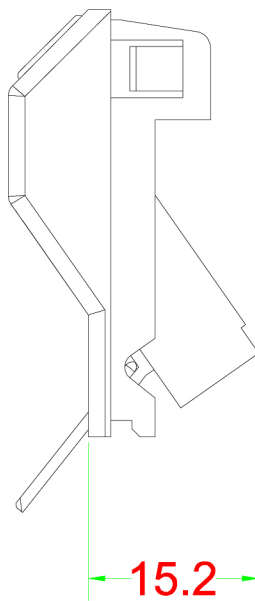
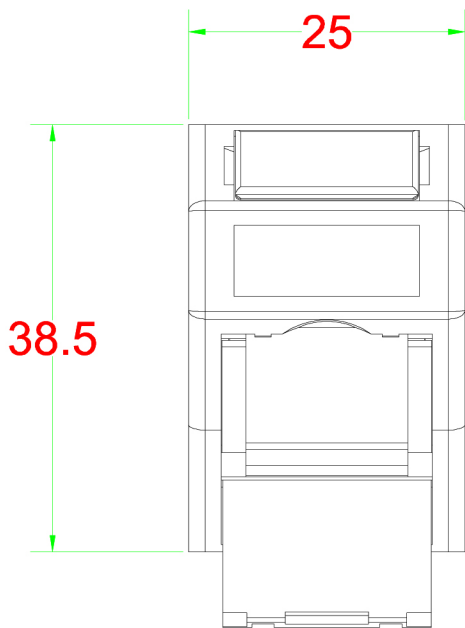
Features

- Angled modules minimize issues with bend radius and are suitable for use with shallow backboxes or larger keystones
- Available in bright white (for faceplates and trunking) and black (for floor boxes etc)
- Supplied with an optional hinged shutter, which minimizes the effect of dust
- Accommodate keystones which protrude beyond the faceplate, such as fibre, ‘F’ type and speaker connectors
- Window and paper labelling facility
- Accommodate most keystone jacks
- Not ideal for HDMI connectors

Specifications

- Colour: Black (KA6-45bkep) or white (KA6-45whpep)
- Material: ABS UL94-V0
- Dimensions: 25 x 15.2 x 38.5 mm (L x W x H)
- Weight: 4g approx
- Packaging: in individual polythene bag then in packs of 20

ROHS Compliant



* wh =
bk =

Operat
Materia

25 x 50 Keystone Angled Faceplate Adaptor



Keystone angled faceplate adaptors 25 x 50 (KA45*ep)

These 25 x 50 angled adaptors have been designed for use with “Euro” 25 x 50 faceplates

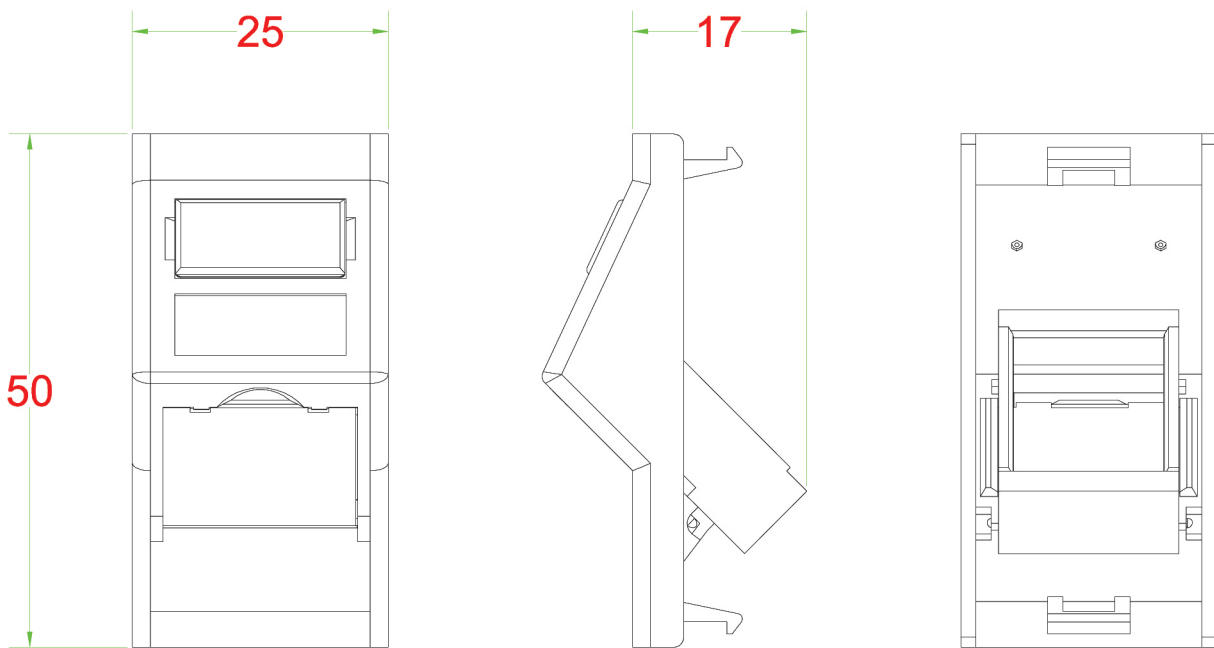
Features

- Angled modules minimize issues with bend radius and are suitable for use with shallow backboxes or larger keystones
- Available in bright white (for faceplates and trunking) and black (for floor boxes etc)
- Supplied with an optional hinged shutter, which minimizes the effect of dust
- Accommodate keystones which protrude beyond the faceplate, such as fibre, ‘F’ type and speaker connectors
- Window and paper labelling facility
- Accommodate most keystone jacks
- Not ideal for HDMI connectors

Specifications

- Colour: Black (KA45bkep) or white (KA45whep)
- Material: ABS UL94-V0
- Dimensions: 25 x 17 x 50 mm (L x W x H)
- Weight: 5g approx
- Packaging: in individual polythene bag then in packs of 20

ROHS Compliant



* wh =
bk =

Operat
Materia

25 x 38 Keystone Angled Faceplate Adaptor



Keystone angled faceplate adaptor 25 x 38 (KA6-45mc)

These 25 x 38 angled adaptors have been designed for use with “6C” 25 x 38 faceplates and POD/GOP boxes

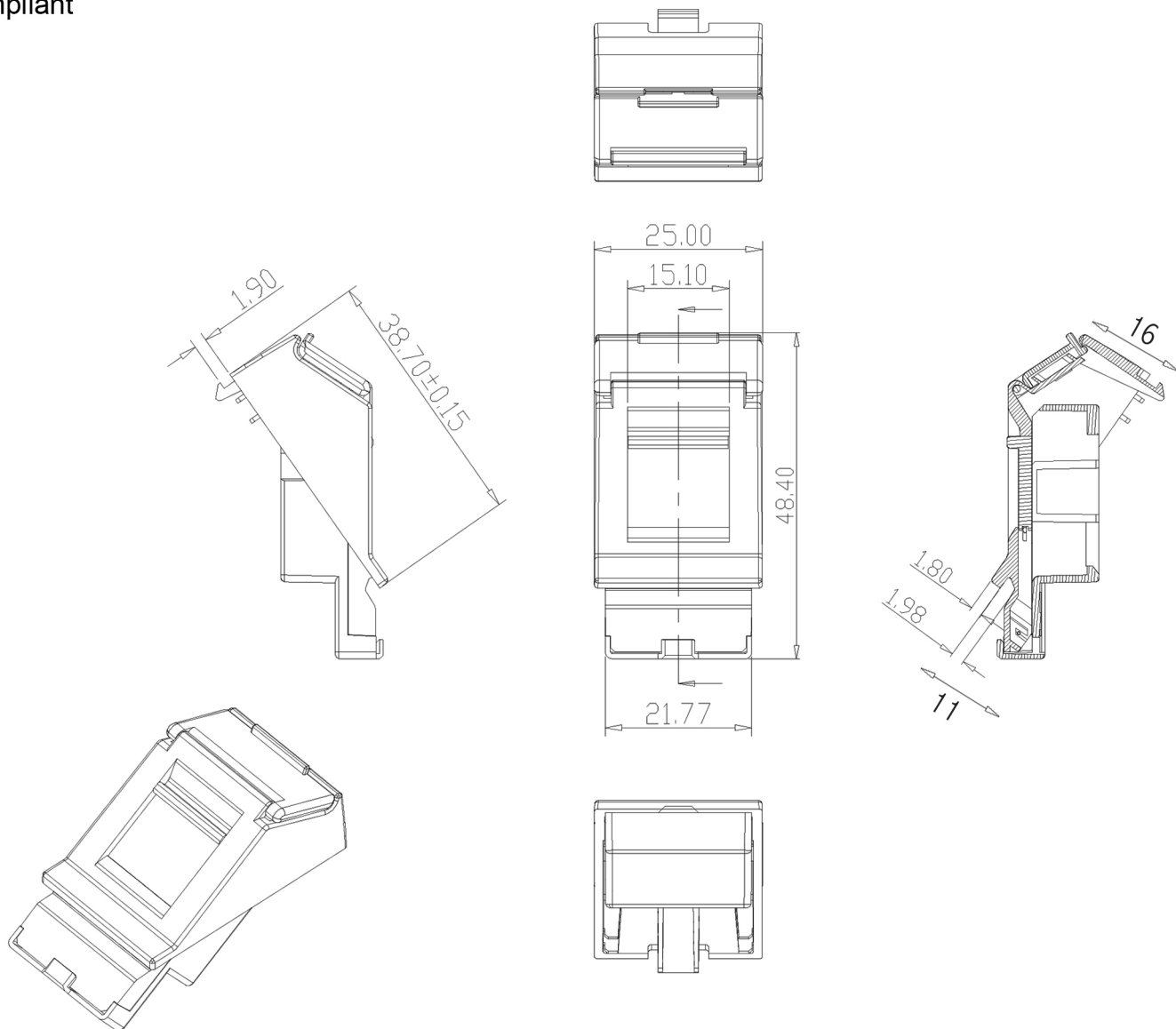
Features

- Angled modules minimize issues with bend radius and are suitable for use with shallow backboxes or deeper keystones
- Sprung shutter
- Window and paper labelling facility
- Accommodate most keystone jacks

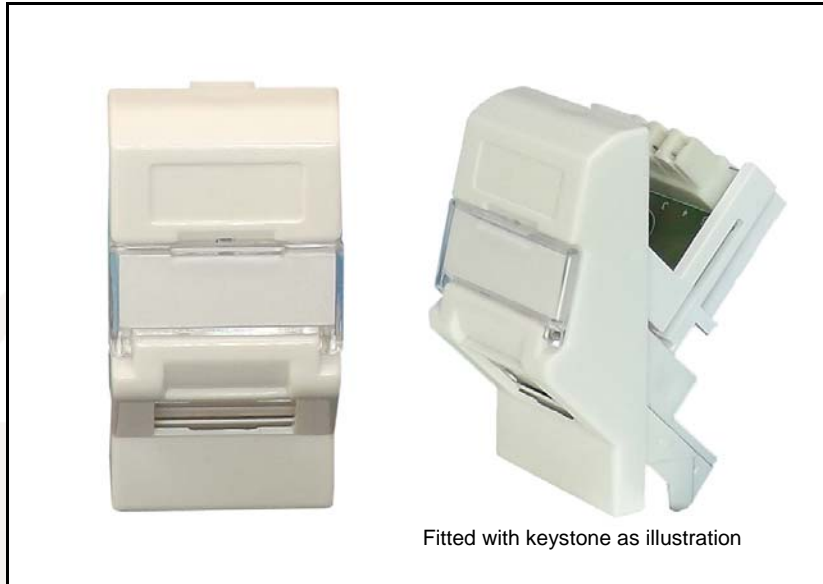
Specifications

- Colour: White (available to order in black)
- Material: ABS UL94-V0
- Dimensions: 23 x 25 x 48mm (Depth x W x H) approx. Protrudes about 16mm in front of mounting plate and 11mm behind
- Weight: 6g approx
- Packaging: in individual polythene bag then in packs of 20

ROHS Compliant



25 x 50 Keystone Angled Faceplate Adaptor



Keystone angled faceplate adaptor 25 x 50 (KA45mc)

These 25 x 50 angled adaptors have been designed for use with “Euro” 25 x 50 faceplates

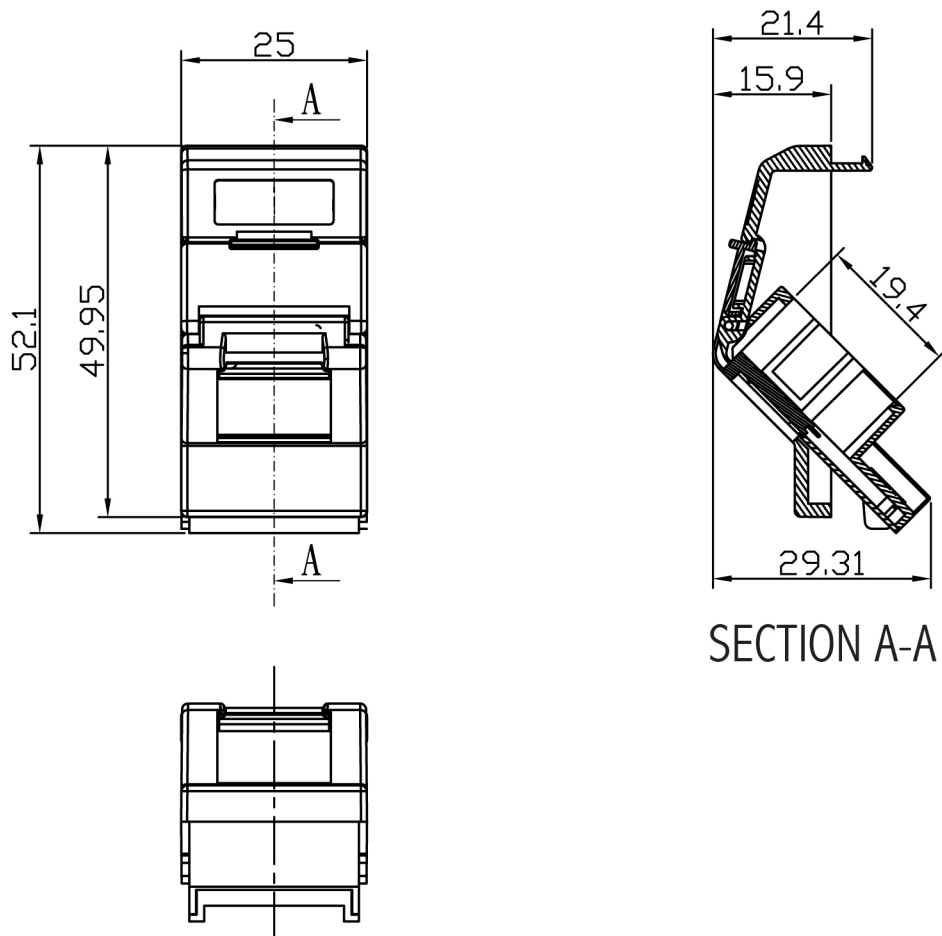
Features

- Angled modules minimize issues with bend radius and are suitable for use with shallow backboxes or larger keystones
- Available in bright white (for faceplates and trunking)
- Sprung shutter
- Window and paper labelling facility
- Suitable of Category 5e, 6 and 6A connectors and others, such as UK voice (shown above)

Specifications

- Colour: White
- Material: ABS UL94-V0
- Dimensions: 52.1 x 25 x 29.31mm (L x W x D)
- Weight: 6g approx
- Packaging: in individual polythene bag then in packs of 20

ROHS Compliant



Keystone Faceplate Adaptor



Keystone faceplate adaptor (KA90cav)

These straight through adaptors have been designed for use in standard “Euro” 25 x 50 faceplates which easily connect into industry standard trunking, wall or floor box installations.

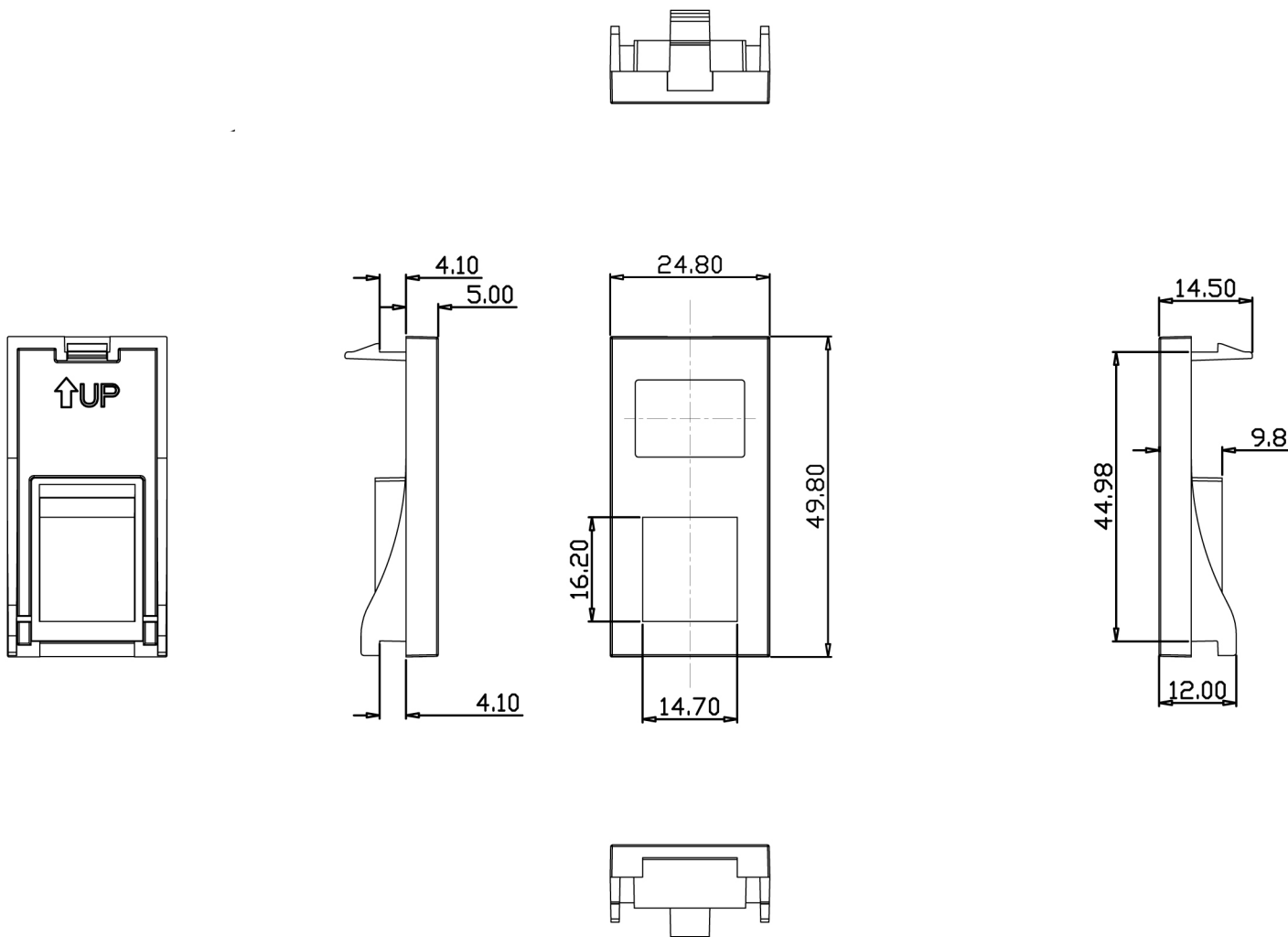
Features

- Labelling facility
- Accommodate most keystone jacks including those which protrude beyond the faceplate, such as fibre, ‘F’ type and speaker connectors
- Suitable for HDMI connectors

Specifications

- Colour: White (available to order in black)
- Material: ABS UL94-V0
- Dimensions: 24.8 x 49.8 x 14.5mm (W x H x D)
- Weight: 4g approx
- Packaging: in individual polythene bag then in packs of 20

ROHS Compliant



X-ON Electronics

Largest Supplier of Electrical and Electronic Components

Click to view similar products for [Tuk](#) manufacturer:

Other Similar products are found below :

[ADQ88](#) [KOLSMDX](#) [PXCAT6S8XL2](#) [SKH1](#) [PXSPDY6#100](#) [PSPDY5#100](#) [PXSPDY6#10](#) [SP5RD](#) [FTT](#) [SKFBKDPM](#) [SACK3S-24](#)
[OT45BK](#) [SKFYW](#) [PSDL-6#20](#) [WJOL](#) [FJP2](#) [KH4](#) [KRCAWHBKDPM](#) [SPDL5BK](#) [TRCSPDY3](#) [PSDL-5#100](#) [SKFGN](#) [SP3RD](#) [SLJBKDPM](#)
[SEKEIPM](#) [FJKPT](#) [KCUAA2BKDPM](#) [SP5GN](#) [MGOP6](#) [TPOET](#) [PXSPDY5#10](#) [WJSG](#) [SILWH](#) [SP3YW](#) [SACK2WHPM](#) [T2079](#)
[FACK2BKDPM](#) [KOCSMDPM](#) [SP5YW](#) [SGPZ10BK](#) [ADF](#) [SEKEI-45WH](#) [TRCSPDYBP](#) [SP5GYB](#) [SKH4](#) [SGKH2](#) [SKFWHPM](#) [KOCSM](#)
[SKH2](#) [SP10RD](#)