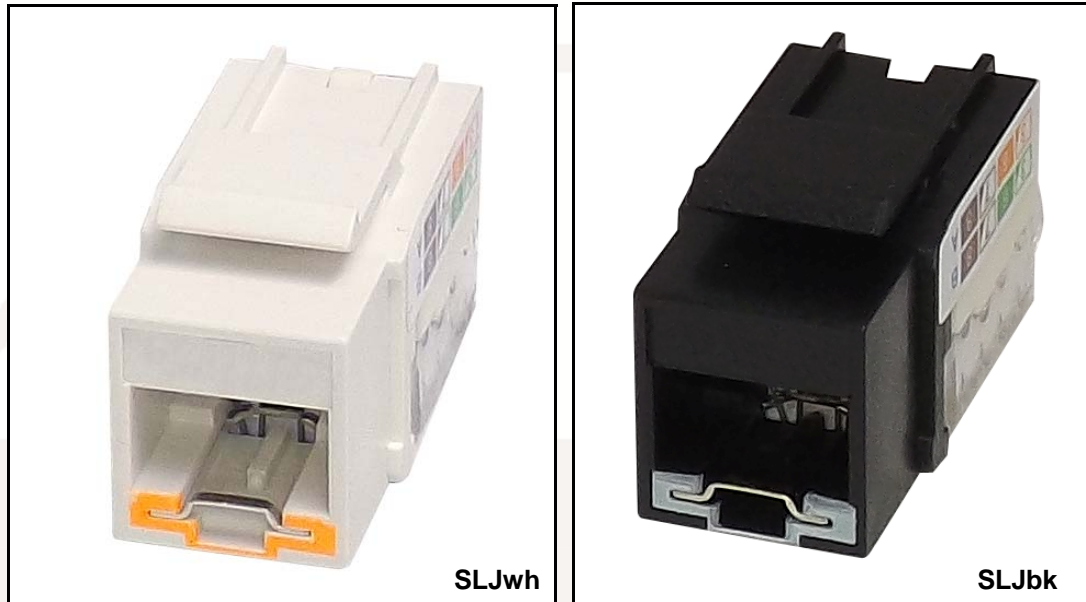


LOKJAC Category 6 tool-less locking keystone



LOKJAC Category 6 tool-less locking keystone (SLJ*) with key for LOKJAC range (TLJ)

Our locking Category 6 jack offers a tool-less keystone solution for almost any Category 6 locking requirement. The locking mechanism insures maximum safety and security for your cables, allowing you to install and secure and, at a later date, release the locked cable as required.

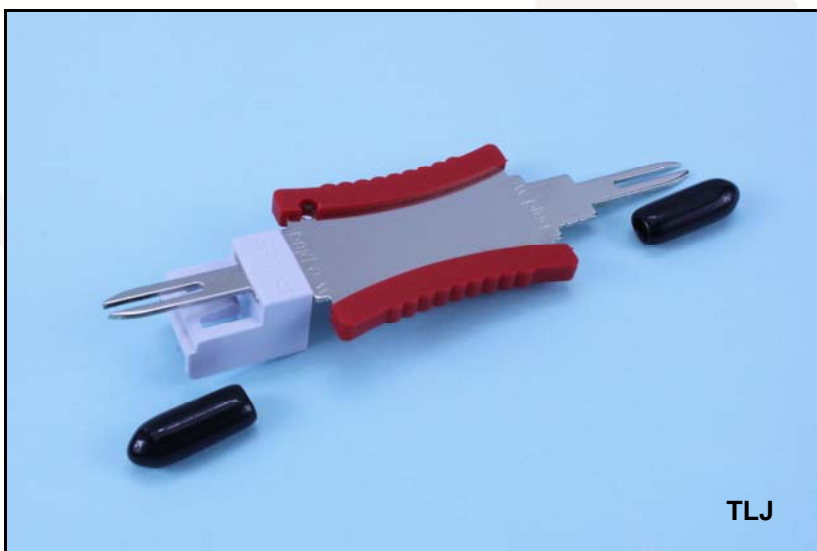
The LOKJAC also offers the facility of high speed tool-less installation, which saves the installer time on time-critical applications. The IDC's are designed with staggered pin gaps, resulting in excellent installation speed and retention force compared to standard tool-less IDC components.

Features

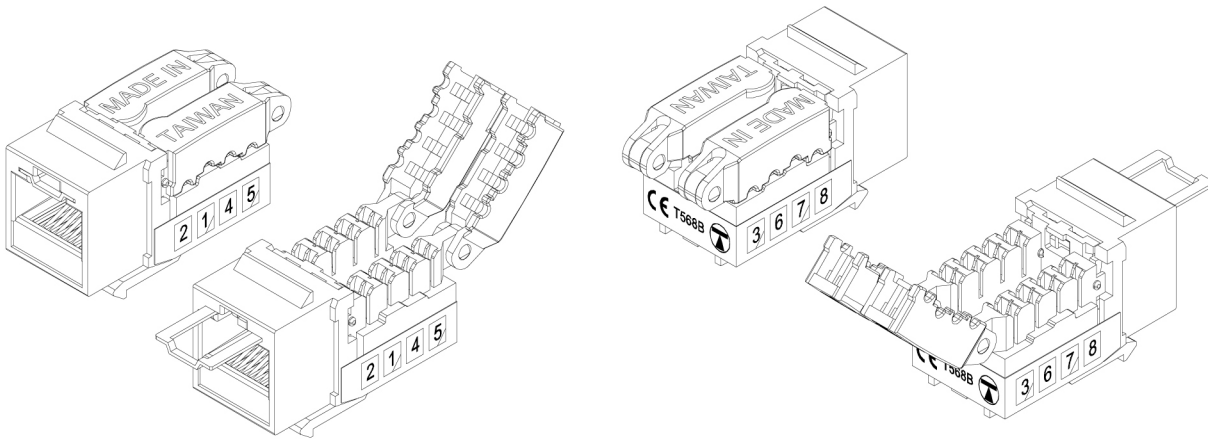
- High performance data throughput, meets Category 6 data transfer rates at permanent link level
- Locked securely into place with LOKJAC key, with easy lock and release mechanism
- High speed tool-less installation
- Can be terminated with either 110 or LSA+ type tools, if conventional punch down termination is preferred.
- Standard format keystone fits a wide range of panels, adaptors and faceplates
- UTP socket to FCC68 standard
- Available in black and white versions to suit the required application
- Available in Panel mount and D UNIVERSAL versions:- SLJwhpm and SLJbkDpm.

Specifications

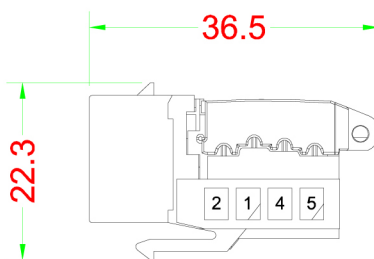
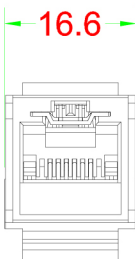
- Dimensions: 50 x 20 x 21mm (LxWxH)
- Weight: 10 grams
- Colours available: black, white
- Materials: 50µ"/1.27µm gold plating on contacts
housing: ABS UL94V-0
- Key (TLJ): Dimensions: 84 x 25 x 12 mm (LxWxH)
Weight: 10 grams
- Packaging: in individual polythene bag then in packs of 20



ROHS Compliant



- T568B
- 1--WH/OR
- 2--OR
- 3--WH/GN
- 6--GN
- 5--WH/BL
- 4--BL
- 7--WH/BR
- 8--BR



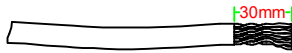
Perform
Meets C

Material
Body
Jack
PCB
IDC Cap
IDC Bod
IDC Pin
Lock Bar
IDC Des

Electric
Insulation
Contact
Current
DC Resi

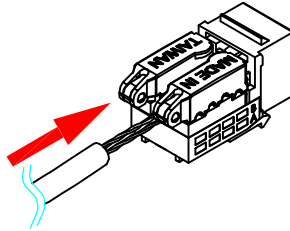
LOKJAC Assembly Instructions

Step 1



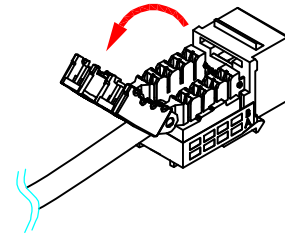
Strip around 30mm of cable PVC jacket.

Step 2



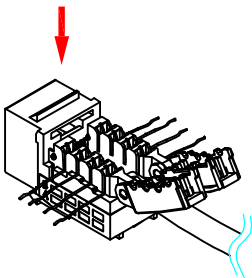
Place the cable between the two IDC rows

Step 3



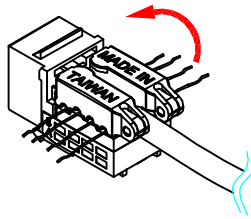
Open cable retention caps

Step 4



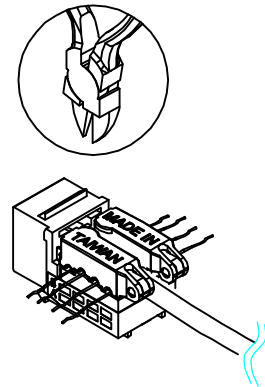
Place the cores onto the IDC gaps following the colour code

Step 5



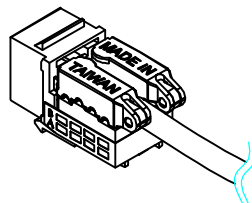
Press down cable retention caps

Step 6



Cut off spare wires

Step 7



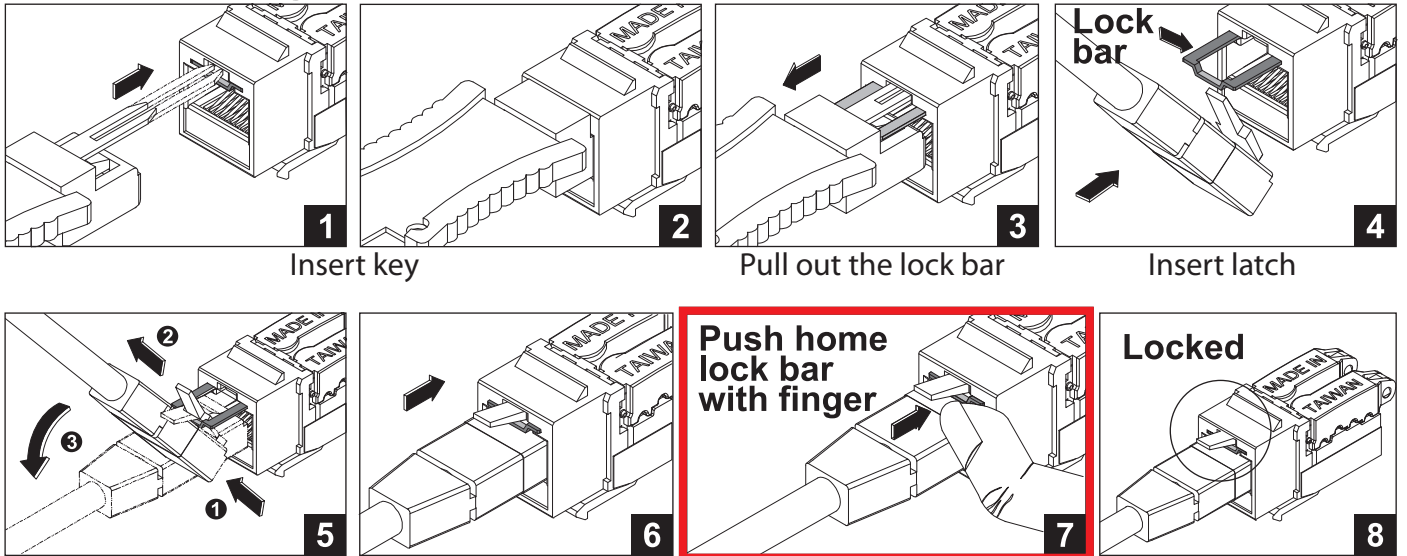
Completed.



LOKJAC Instruction Manual

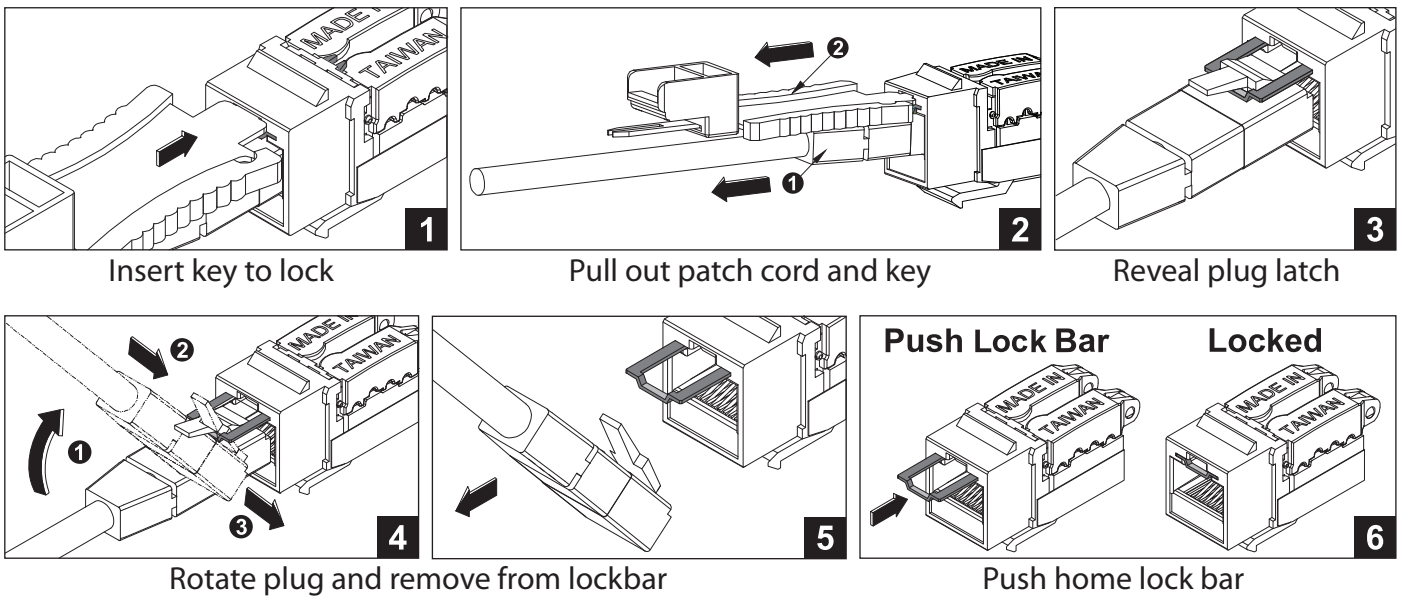


To lock the plug

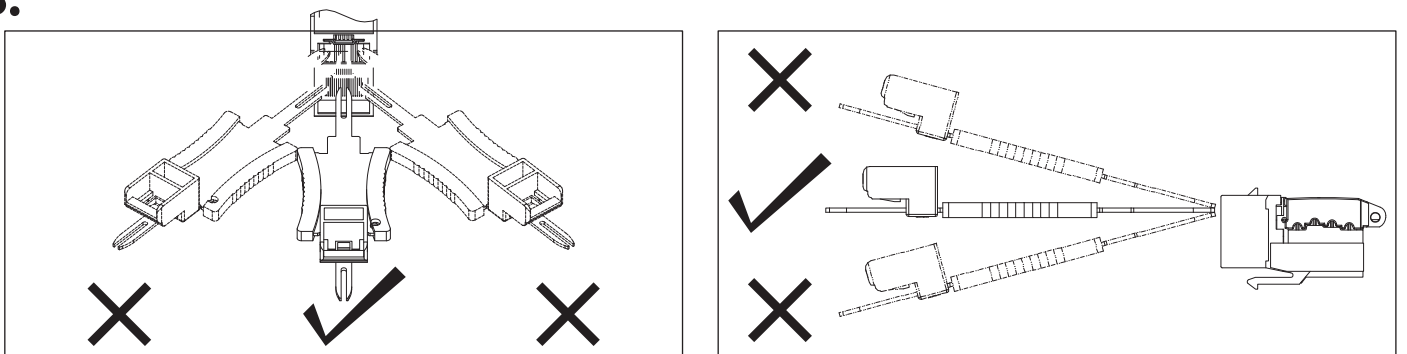


PLUG IS NOT SECURE UNTIL LOCKBAR IS PUSHED HOME

To release the plug



NB.



Key must be inserted perpendicular to the socket

X-ON Electronics

Largest Supplier of Electrical and Electronic Components

Click to view similar products for [Tuk](#) manufacturer:

Other Similar products are found below :

[ADQ88](#) [KOLSMDX](#) [PXCAT6S8XL2](#) [SKH1](#) [PXSPDY6#100](#) [PSPDY5#100](#) [PXSPDY6#10](#) [SP5RD](#) [FTT](#) [SKFBKDPM](#) [SACK3S-24](#)
[OT45BK](#) [SKFYW](#) [PSDL-6#20](#) [WJOL](#) [FJP2](#) [KH4](#) [KRCAWHBKDPM](#) [SPDL5BK](#) [TRCSPDY3](#) [PSDL-5#100](#) [SKFGN](#) [SP3RD](#) [SLJBKDPM](#)
[SEKEIPM](#) [FJKPT](#) [KCUAA2BKDPM](#) [SP5GN](#) [MGOP6](#) [TPOET](#) [PXSPDY5#10](#) [WJSG](#) [SILWH](#) [SP3YW](#) [SACK2WHPM](#) [T2079](#)
[FACK2BKDPM](#) [KOCSMDPM](#) [SP5YW](#) [SGPZ10BK](#) [ADF](#) [SEKEI-45WH](#) [TRCSPDYBP](#) [SP5GYB](#) [SKH4](#) [SGKH2](#) [SKFWHPM](#) [KOCSM](#)
[SKH2](#) [SP10RD](#)