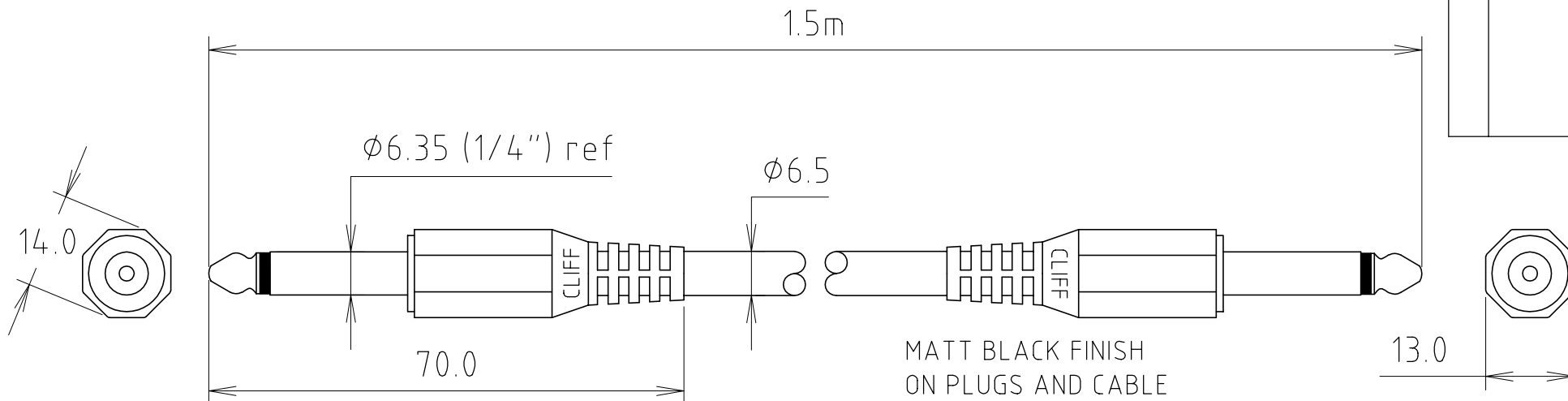
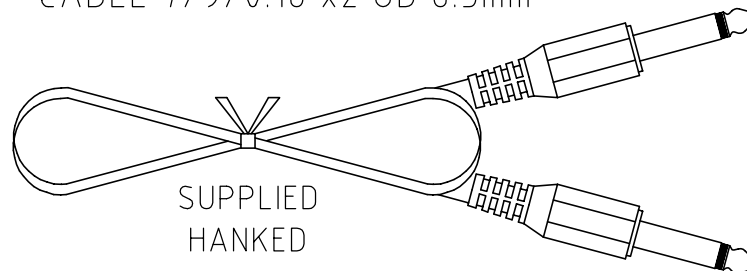


ISS.	AMEND	DATE
1	1st DRAWN	04/05/01
2	14.0 WAS 10.8	25/05/01
3	CABLE WAS Ø5.3	05/02/02
4	UPDATED	06/10/16



CABLE 7/9/0.16 x2 OD 6.5mm



SUPPLIED  
HANKED

**RoHS**  
COMPLIANT

**TOLERANCE**  
NO DEC. PLACE ±  
1 DEC. PLACE ±  
2 DEC. PLACE ±  
HOLE Ø ±  
ANGLES ±  
UNLESS OTHERWISE STATED

**Cliff Electronic Components Ltd.**  
76 Holmethorpe Avenue, Holmethorpe Industrial Estate,  
Redhill, Surrey, RH1 2PF, England, UK  
Tel: 01737-771375 Fax: 01737-766012 Website: www.cliffuk.co.uk

DIMENSIONS IN MILLIMETERS UNLESS OTHERWISE STATED. WORK TO DIMENSIONS. REMOVE ALL BURRS. IF IN DOUBT ASK.

3rd ANGLE PROJECTION:

DO NOT SCALE

MATERIAL: PVC / BRASS / COPPER

TITLE: SPEAKER LEAD 1.5m

FINISH: AS MOULDED / EXTRUDED / Ni PLATED

THE CONTENTS OF THIS DOCUMENT MUST NOT BE COPIED OR DISCLOSED TO A 3rd PARTY WITHOUT WRITTEN PERMISSION OF CLIFF UK. © 2001

DRAWN: C.A.M.J.

APPROVED: R.W.T.

DRWG. No. **FD72082**

FORM: A4DRWGH

## **X-ON Electronics**

Largest Supplier of Electrical and Electronic Components

*Click to view similar products for [Cliff manufacturer](#):*

Other Similar products are found below :

[FC7105](#) [CIH206011](#) [CIH22105](#) [FCR7360L](#) [FM686813](#) [CP30152](#) [CP30173](#) [CP30176](#) [CP30178](#) [CP30179](#) [CP30180](#) [CP30186](#) [FCR7942](#)  
[CL-SFE/1 FILTERS](#) [CP30220X](#) [FCR7360B](#) [FM686816](#) [CIH29917](#) [CP30170](#) [CP30174](#) [CIH684216](#) [FD72082](#) [FCR2062](#) [CP30171](#) [CP30182](#)  
[CP30184](#) [CIH3021](#) [FM686806](#) [CIH29950](#) [CIH29916](#) [CP30150](#) [CP30500C](#) [FCR1121](#) [CL1115](#) [CP30181](#) [CP30202M](#) [CP30202M3B](#) [K85](#)  
[CAPS BLUE PLAIN](#) [CIH299450](#) [CL2075S](#) [FM65015](#) [CL2076S](#) [CL1734](#) [300PN](#) [DCPP3](#) [FC7106](#) [FCR7960RB](#) [FM686842](#) [CP30202M3](#)  
[CIH3006](#)