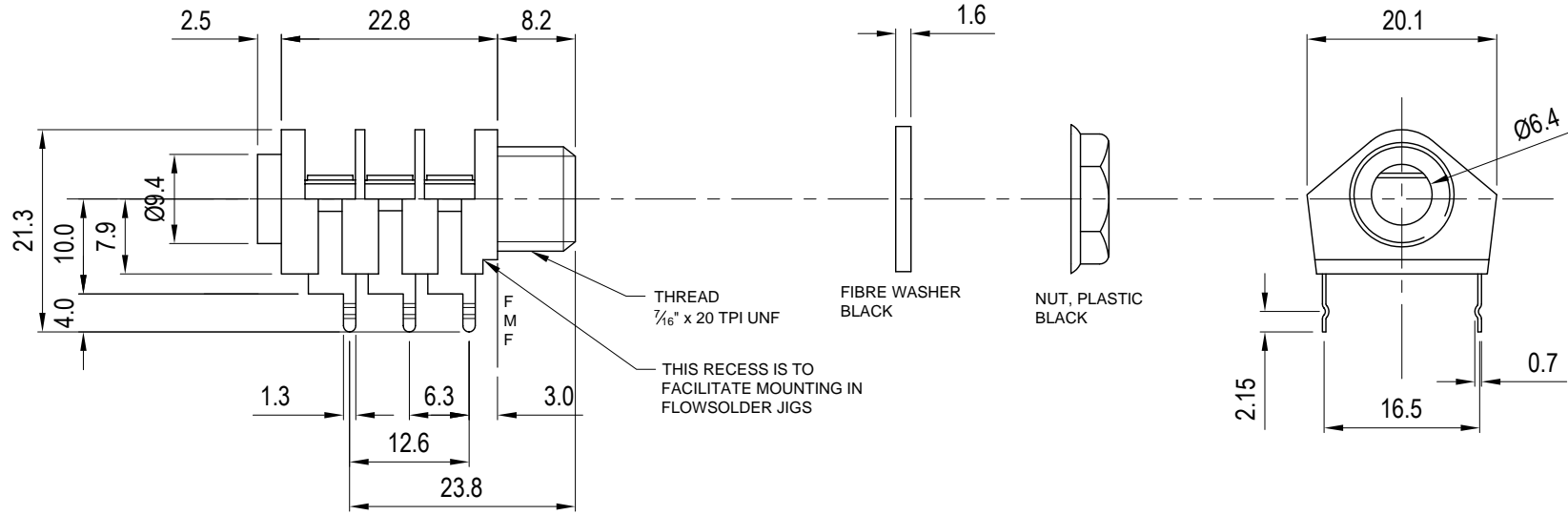


ISS.	AMEND	DATE
1	ISSUED	24/11/2016



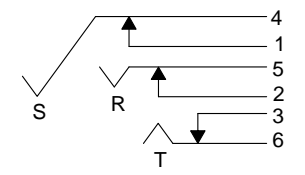
THREAD  
7/16" x 20 TPI UNF

FIBRE WASHER  
BLACK

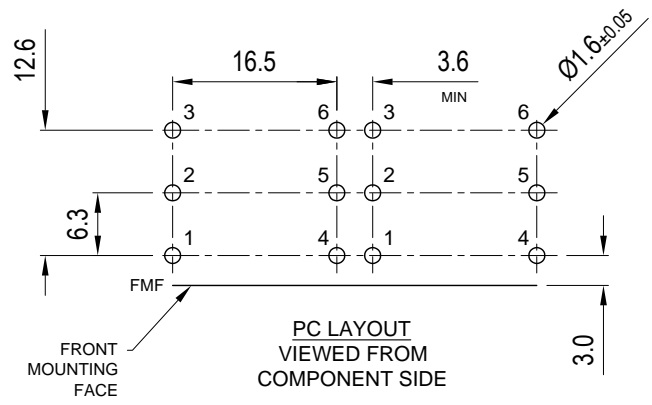
NUT, PLASTIC  
BLACK

THIS RECESS IS TO  
FACILITATE MOUNTING IN  
FLOWSOLDER JIGS

**SCHEMATIC**



SWITCH CONTACTS OPEN  
WHEN PLUG IS INSERTED,  
CLOSE WHEN PLUG IS  
WITHDRAWN.



**NOTES:-**

1. MAXIMUM PANEL THICKNESS 4.6mm.
2. SUPPLIED WITH NUT & WASHER UNASSEMBLED.

<b>RoHS</b> COMPLIANT
<b>TOLERANCE</b>
NO DEC. PLACE ±
1 DEC. PLACE ±
2 DEC. PLACE ±
HOLE Ø ±
ANGLES ±
UNLESS OTHERWISE STATED
DO NOT SCALE

**Cliff Electronic Components Ltd.**  
76 Holmethorpe Avenue, Holmethorpe Industrial Estate,  
Redhill, Surrey, RH1 2PF, England, UK  
Tel: 01737-771375 Fax: 01737-766012 Website: www.cliffuk.co.uk

DIMENSIONS IN MILLIMETERS UNLESS OTHERWISE STATED. WORK TO DIMENSIONS. REMOVE ALL BURRS. IF IN DOUBT ASK.  
MATERIAL: NYLON / NiAg / FIBRE  
FINISH: AS MOULDED / MICROFINISH  
DRAWN: NJB APPROVED: RWT

1ST DRAWN : 11/01/1991  
3rd ANGLE PROJECTION:

TITLE: S2/BBB/PCA-KINKED JACK SOCKET

DRWG. No. **CL 12321K**

FORM: A4DRWGH

THE CONTENTS OF THIS DOCUMENT MUST NOT BE COPIED OR DISCLOSED TO A 3rd PARTY WITHOUT WRITTEN PERMISSION OF CLIFF UK. © 1991

## **X-ON Electronics**

Largest Supplier of Electrical and Electronic Components

*Click to view similar products for [Cliff manufacturer](#):*

Other Similar products are found below :

[FC7105](#) [CIH206011](#) [CIH22105](#) [FCR7360L](#) [FM686813](#) [CP30152](#) [CP30173](#) [CP30176](#) [CP30178](#) [CP30179](#) [CP30180](#) [CP30186](#) [FCR7942](#)  
[CL-SFE/1 FILTERS](#) [CP30220X](#) [FCR7360B](#) [FM686816](#) [CIH29917](#) [CP30170](#) [CP30174](#) [CIH684216](#) [FD72082](#) [FCR2062](#) [CP30171](#) [CP30182](#)  
[CP30184](#) [CIH3021](#) [FM686806](#) [CIH29950](#) [CIH29916](#) [CP30150](#) [CP30500C](#) [FCR1121](#) [CL1115](#) [CP30181](#) [CP30202M](#) [CP30202M3B](#) [K85](#)  
[CAPS BLUE PLAIN](#) [CIH299450](#) [CL2075S](#) [FM65015](#) [CL2076S](#) [CL1734](#) [300PN](#) [DCPP3](#) [FC7106](#) [FCR7960RB](#) [FM686842](#) [CP30202M3](#)  
[CIH3006](#)