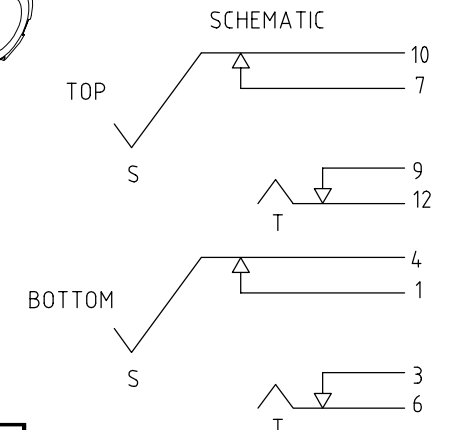
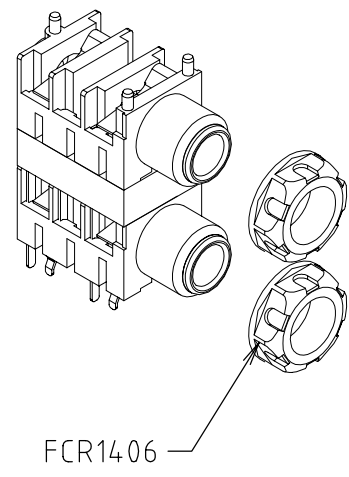
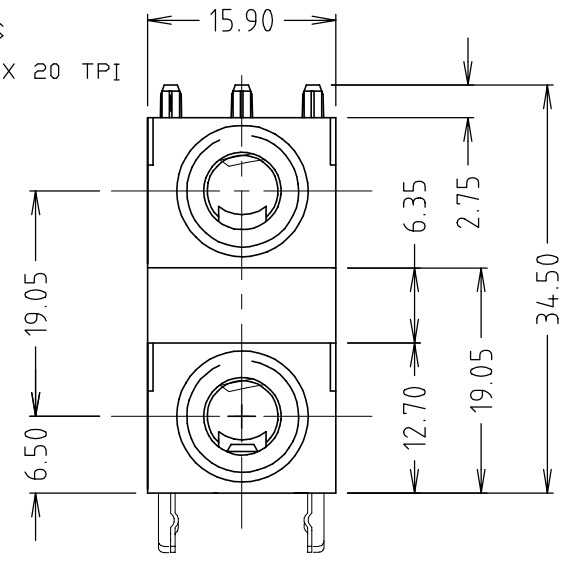
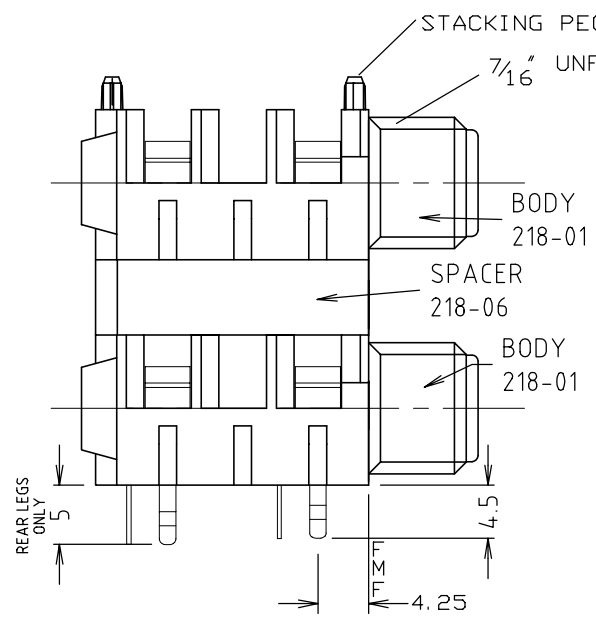
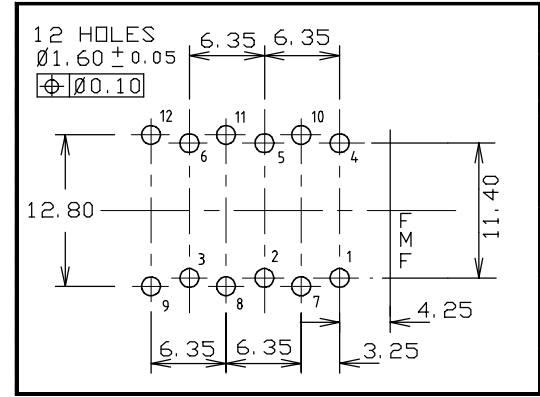
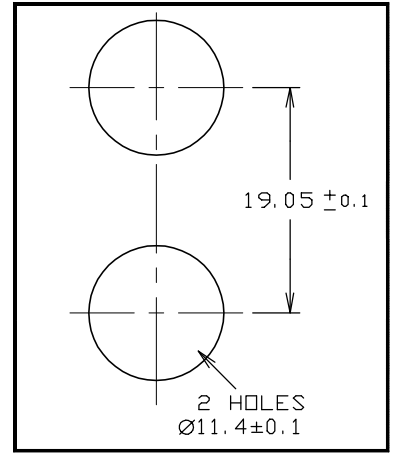
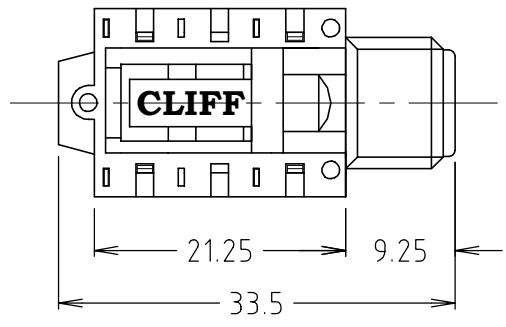


ISS.	AMEND	DATE
1	1st DRAWN	14/11/03
2	NUT P/No ADD	07/05/04
3	VARIANT ADDED	13/05/05
4	FCR11205 ADD	02/02/07
5	9+12 PIN REVERSED	01/04/11
6	OVERALL HEIGHT ERR	24/07/12



SWITCH CONTACTS OPEN WHEN PLUG IS INSERTED, CLOSE WHEN PLUG IS WITHDRAWN.



VARIANTS			
PART No.	DESCRIPTION	NUTS	WASHER
FCR1120	S1C/SH/BNBX2/WN	2x	-
FCR11205	S1C/SH/BNBX2/WNW	2x	2x
FCR1121	S1C/SH/BNBX2/NN	-	-

PANEL CUTOUT
DETAIL

NOTE
 A) NUTS SUPPLIED UNASSEMBLED BULK PACKED
 B) WASHERS SUPPLIED UNASSEMBLED BULK PACKED.
 C) TRAY PACKING 100 / TRAY

RoHS
COMPLIANT

TOLERANCE
 NO DEC. PLACE ± 0.50
 1 DEC. PLACE ± 0.20
 2 DEC. PLACE ± 0.10
 HOLE Ø ± 0.10
 ANGLES ± 1/2°
 UNLESS OTHERWISE STATED

Cliff Electronic Components Ltd.
 76 Holmehorpe Avenue, Holmehorpe Industrial Estate,
 Redhill, Surrey, RH1 2PF, England, UK
 Tel: 01737-771375 Fax: 01737-766012 Website: www.cliffuk.co.uk

DIMENSIONS IN MILLIMETERS UNLESS OTHERWISE STATED. WORK TO DIMENSIONS. REMOVE ALL BURRS. IF IN DOUBT ASK.

3rd ANGLE PROJECTION:

DO NOT SCALE

MATERIAL: COMPOSITE

TITLE: STACKJACK S1C/SH/BNBX2/WN

FINISH: CLEAN

DRWG. No. **FCR1120** FORM: A4DRWGH

THE CONTENTS OF THIS DOCUMENT MUST NOT BE COPIED OR DISCLOSED TO A 3rd PARTY WITHOUT WRITTEN PERMISSION OF CLIFF UK. © 2003

DRAWN: C.A.M.J.

APPROVED: R.W.T.

X-ON Electronics

Largest Supplier of Electrical and Electronic Components

Click to view similar products for [Cliff manufacturer](#):

Other Similar products are found below :

[FC7105](#) [CIH206011](#) [CIH22105](#) [FCR7360L](#) [FM686813](#) [CP30152](#) [CP30173](#) [CP30176](#) [CP30178](#) [CP30179](#) [CP30180](#) [CP30186](#) [FCR7942](#)
[CL-SFE/1 FILTERS](#) [CP30220X](#) [FCR7360B](#) [FM686816](#) [CIH29917](#) [CP30170](#) [CP30174](#) [CIH684216](#) [FD72082](#) [FCR2062](#) [CP30171](#) [CP30182](#)
[CP30184](#) [CIH3021](#) [FM686806](#) [CIH29950](#) [CIH29916](#) [CP30150](#) [CP30500C](#) [FCR1121](#) [CL1115](#) [CP30181](#) [CP30202M](#) [CP30202M3B](#) [K85](#)
[CAPS BLUE PLAIN](#) [CIH299450](#) [CL2075S](#) [FM65015](#) [CL2076S](#) [CL1734](#) [300PN](#) [DCPP3](#) [FC7106](#) [FCR7960RB](#) [FM686842](#) [CP30202M3](#)
[CIH3006](#)