

- Compliant with EN 60309-1, 2 e 4
- Enclosures and inserts in insulating self-extinguishing thermoplastic material, RAL 7035 grey
- 16A and 32A types with spring lid
- Factory installed internal wiring
- Cable entry with threaded metric opening
- "ZG" series switch, with 32A rating
- Mechanical interlock that prevents: the switch from being turned on without the plug inserted and the plug from being removed while the switch is on
- Lockable switch
- Inspection panel, openable only when the switch is off.

16A
IP66 degree of protection



32A
IP66 degree of protection



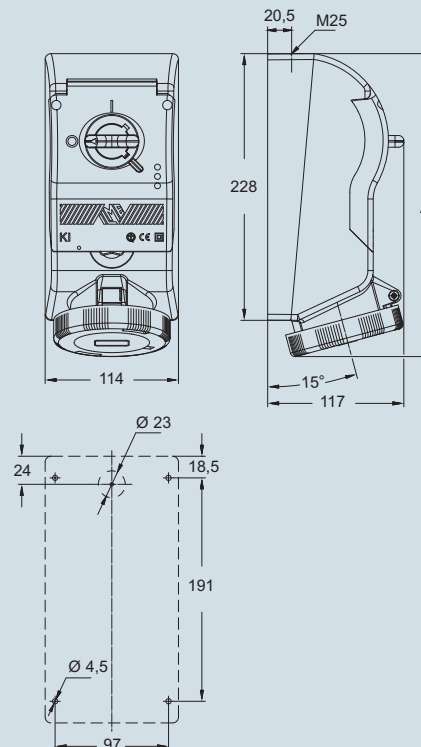
Poles	Frequency Hz	Voltage V	Earthing contact position h	Part No.	Colour	Part No.	Colour
2P+⊕	50 and 60	100 ÷ 130	4	KI 1643 EB6		KI 3243 EB6	
	50 and 60	200 ÷ 250	6	KI 1663 EB6		KI 3263 EB6	
	50 and 60	380 ÷ 415	9	KI 1693 EB6		KI 3293 EB6	
	50 and 60	480 ÷ 500	7	KI 1673 EB6		KI 3273 EB6	
	50 and 60	ins. transformer	12	KI 16123 EB6	a.v.	KI 32123 EB6	a.v.
	> 300 ÷ 500	> 50	2	KI 1623 EB6	*)	KI 3223 EB6	*)
	c.c.	> 50 ÷ 250	3	KI 1633 EB6	a.v.	KI 3233 EB6	a.v.
3P+⊕	50 and 60	100 ÷ 130	4	KI 1644 EB6		KI 3244 EB6	
	50 and 60	200 ÷ 250	9	KI 1694 EB6		KI 3294 EB6	
	50 and 60	380 ÷ 415	6	KI 1664 EB6		KI 3264 EB6	
	60	440 ÷ 460	11	KI 16114 EB6		KI 32114 EB6	
	50 and 60	480 ÷ 500	7	KI 1674 EB6		KI 3274 EB6	
	50	380	3	KI 1634 EB6		KI 3234 EB6	
	60	440	3	KI 1634 EB6		KI 3234 EB6	
	100 ÷ 300	> 50	10	KI 16104 EB6	*)	KI 32104 EB6	*)
	> 300 ÷ 500	> 50	2	KI 1624 EB6	*)	KI 3224 EB6	*)
	3P+N+⊕	50 and 60	57/100 ÷ 75/130	4	KI 1645 EB6		KI 3245 EB6
50 and 60		120/208 ÷ 144/250	9	KI 1695 EB6		KI 3295 EB6	
50 and 60		200/346 ÷ 240/415	6	KI 1665 EB6		KI 3265 EB6	
50 and 60		277/480 ÷ 288/500	7	KI 1675 EB6		KI 3275 EB6	
60		250/440 ÷ 265/460	11	KI 16115 EB6		KI 32115 EB6	
50		220/380	3	KI 1635 EB6		KI 3235 EB6	
60		250/440	3	KI 1635 EB6		KI 3235 EB6	
> 300 ÷ 500		> 50	2	KI 1625 EB6	*)	KI 3225 EB6	*)

Legend

A.V. = Colour according to voltage

*) Green may be used together with the colour of the operating range for frequencies above 60 Hz and up to a maximum of 500 Hz

Dimensions in mm



Dimensions indicated are not binding and may be changed without prior notice.

	poles	A
16A	2P+⊕	252
	3P+⊕	252
	3P+N+⊕	252
32A	2P+⊕	260
	3P+⊕	260
	3P+N+⊕	260

X-ON Electronics

Largest Supplier of Electrical and Electronic Components

Click to view similar products for [ILME manufacturer](#):

Other Similar products are found below :

[TAPC 06 L25](#) [TAPC 10.25](#) [TAPW 06 L25](#) [PE3265PI](#) [CHP 16 LS2](#) [ASM20I](#) [KI3243EB6](#) [CQEM18](#) [CCPZTP](#) [CKAX 03 I](#) [TAPH 10.32](#)
[TAVC 24 G40](#) [TMAO 24.40](#) [THCH 06 LG](#) [THIW 16](#) [PE3265SMB](#) [PE1663PI](#) [CQEF32](#) [CCES](#) [CQES](#) [CHO 16 X](#) [CHO 06 L13](#) [TAVC 10](#)
[G32](#) [TAPH 16.32](#) [PE3264SV](#) [CHC10LG](#) [CDDF72](#) [CDMD0.5](#) [CZIR 06 L](#) [TAVW 10 G32](#) [CAVR 06 L21](#) [TAPC 16.32](#) [TAVH 10 G32](#)
[THIH 06 L](#) [AS C13T](#) [CAP 24 CS29](#) [PEW3263PV](#) [CHO 16 L](#) [TAVC 06 LG32](#) [TAVH 10 G25](#) [CDSHF 09](#) [TAPH 24.32](#) [THIW 10](#) [AS C16T](#)
[CRR 36](#) [CRR 42](#) [CHP 48 LS](#) [CDSHF 27 N](#) [CHIR 10](#) [TAVC 06 LG25](#)