

**pirtimer**

**energybasic**

**pirtimer fitting and operating instructions**

**pirtimer - three wire (for all load types)**

**Product:** 370B-1 Three wire

**Rating at 240V ac**

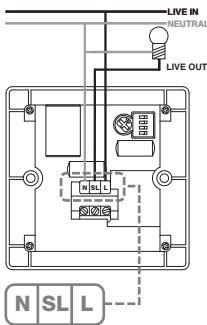
- Incandescent 10A
- Compact Fluorescent 10A
- Resistive 10A
- Fluorescent 10A
- Time Delay 2min - 1h

1. Prior to fitting identify the Live In, Switch Live and Neutral wires. Ensure if fitting into metal back boxes lugs are removed that are not being used.
2. Set the dip switches to the required time settings (See Diagram 3).
3. Fit the Live In, Switch Live and Neutral into the terminals as marked (See Diagram 1).
4. Rotate lux level adjustment to the + for initialisation (Turn anticlockwise).
5. Turn on the mains power. The unit will flash for four minutes whilst the load is on and will switch off the load when ready to operate (N.B. As long as no movement is detected).
6. Adjust lux level to the desired setting. Please note the PIR should be carefully adjusted when considering ambient light levels.
7. The product will turn itself off once the required time has elapsed and there is no longer movement detected.
8. Please ensure device is screwed back to the backbox once installation is complete.



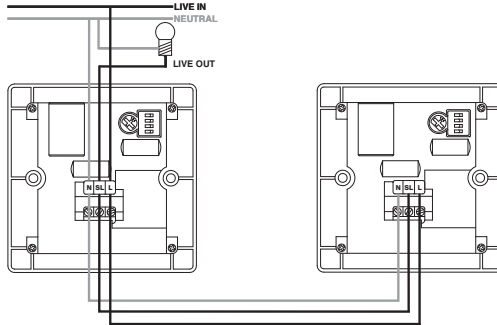
**Diagram 1**

Wiring diagram for a three wire unit.



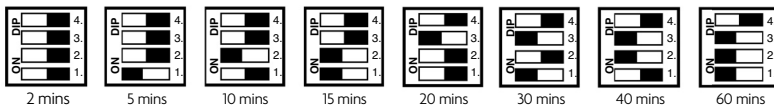
**Diagram 2**

Wiring diagram for three wire additional Switches/PIR into circuit.



**Diagram 3**

Please note that the black bar denotes the position of the dip switch.



**IMPORTANT NOTICE**

All wiring should be carried out by a competent person or a qualified electrician and should be fitted to IEE 17th Edition Wiring regulations BS7671:2008.



Call +44 (0) 1675 468222 or click [www.elkay.co.uk](http://www.elkay.co.uk)

## **X-ON Electronics**

Largest Supplier of Electrical and Electronic Components

*Click to view similar products for [Elkay](#) manufacturer:*

Other Similar products are found below :

[370B-1](#) [550B-1](#) [374-DREM](#) [374-DMBOX](#) [AQUASAFE](#) [400A](#) [041852X](#) [041854F](#) [041874R](#) [2001/3/CG/3](#) [1278](#) [1275](#) [1276-18](#)  
[2001/4/CG/4](#)