

troubleshooting guide

Before calling Elkay Technical we recommend that you attempt to resolve the issue for yourself with this handy troubleshooting guide.

Issue	Problem and Resolution
Load will not switch OFF	<ul style="list-style-type: none"> Check terminal connections. Check time settings (See Diagram 4). PIR is too close to load - Re-position away from lighting, heating and forced air ventilation. PIR is switching low wattage or LED loads - Fit Capacitor as stated in instructions PFCC-1. Windy weather conditions - Adjust Sensitivity down. PIR is re triggered - Check area is left unoccupied for longer than time setting using an accurate time piece. Sensitivity set too high - Gradual incremental adjustments towards the low setting to resolve the issue.
Load will not switch ON	<ul style="list-style-type: none"> Check terminal connections. Lux set too low - Turn off Auto Lux and turn UP lux level to the PLUS (+) setting and wait for sensor to adjust. Sensitivity set too low- Gradual incremental increases towards the High setting to resolve the issue.
Load switches OFF and then immediately comes back ON	<ul style="list-style-type: none"> Check terminal connections. PIR is detecting normally- Find source that is triggering PIR. PIR is seeing infra red heat from the load- Re-position away from heat source (See Positioning). PIR is switching low wattage or LED loads- Fit Capacitor PFCC-1 across switch live and neutral of load. PIR is switching a contactor and the contactor chatters or stays ON - Fit a PFCC-1 capacitor across the switch live and neutral of the contactor coil.

THIS IS AN ALL MASTER SYSTEM.

DO NOT USE SLAVES WITH THIS PRODUCT. THESE PIRs CAN ONLY BE WIRED WITH EACH OTHER. PLEASE BE AWARE OF THE CHANGES TO THE TERMINALS FROM PREVIOUS ELKAY CEILING MOUNT TIMERS.

L IN	L OUT		N	OLD TERMINALS
L IN	L OUT	N	N	NEW TERMINALS

Do not wire neutrals unless the terminals are marked with an N.

IMPORTANT NOTICE

All wiring should be carried out by a competent person or a qualified electrician and should be fitted to IEE 17th Edition Wiring regulations BS7671:2008. The circuit should be isolated before carrying out any work. Failure to adhere to the instructions will invalidate the warranty.

TECHNICAL HELPLINE

For further help or assistance or information on this or other products in the range please call the Elkay Technical team on 01675 468222. Please call the Technical helpline before returning any products to your stockist.

setup instructions for the ceilingmountpir

Product: 374B-1 Three wire

Rating at 220-240V AC 50Hz

- All load types 10A
- Time Delay 2min - 1h
- Sensitivity Adjustment
- Test Mode
- Auto and Manual Lux Sensor for Daylight Control

The Ceiling Mount PIR comes with surface and flush mounted options. It also has interchangeable white and chrome fascias.

Usage

The PIR sensor has been designed to switch lighting, heating and ventilation loads up to 10A. The unit is switched on by the detection of moving infra red heat within a specified range. When infra red heat, such as a moving body, is no longer detected, the unit will switch off the load after the adjustable time period has elapsed. If infra red heat is detected again during the timing period, the timing sequence will restart. The unit has a lux level adjustment and Auto Lux function, which measures the ambient light levels and prevents lighting being switched on, when there is sufficient lighting in the room. There is sensitivity adjustment and test mode function added for your convenience.

A POWER FACTOR CORRECTION CAPACITOR OF 4 MICROFARADS WILL OFTEN BE REQUIRED WHEN SWITCHING LOW WATTAGE LOADS, e.g. LED LOADS. THE CAPACITOR IS FITTED ACROSS SWITCH LIVE AND NEUTRAL SUPPLIES OF SUITABLE ELKAY CAPACITORS CAN BE FOUND AT YOUR STOCKIST (REF PFCC-1). DO NOT INSULATION RESISTANCE TEST THIS PRODUCT. REMOVE BEFORE TESTING OR TEST CIRCUIT PRIOR TO FITTING.

Positioning

CAREFUL POSITIONING IS ESSENTIAL TO OBTAIN OPTIMUM PERFORMANCE.

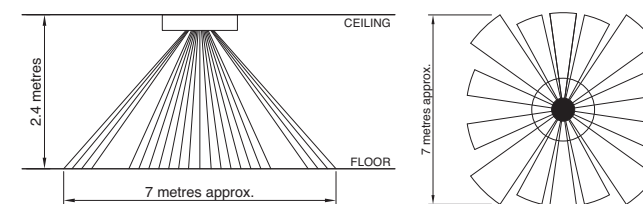
Use the detection range to determine a suitable location for the sensor. When locating the position of the units, ensure the sensor is not subjected to bright or direct sunlight or in areas with high reflective surfaces. Do not site units on a

vibrating surface, or near forced air heating and ventilation. They should not be placed within 1 metre of the load.

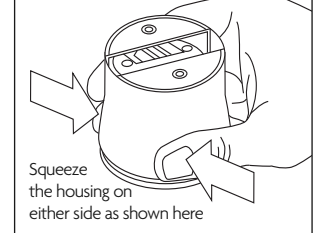
Sensors work when objects move across their field of view. Position the sensor where people will be detected walking across the zones rather than towards the zones identified in Diagram 1. Adjust sensitivity to suit the area that the sensor has been installed in.



diagram 1



Removing the Sensor from Surface Mount Box

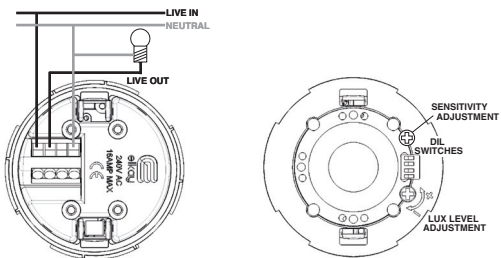


IMPORTANT NOTICE

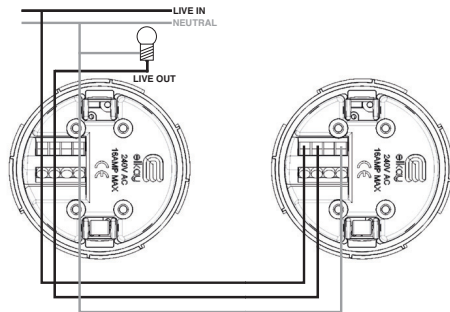
All wiring should be carried out by a competent person or a qualified electrician and should be fitted to IEE 17th Edition Wiring regulations BS7671:2008. The circuit should be isolated before carrying out any work. Failure to adhere to the instructions will invalidate the warranty.

diagram 2

Wiring diagram for a single unit.



Wiring diagram for wiring multiple devices together.



There are now 2 neutral terminals - one or both can be used.
Please note Elkay ceilingmount PIRs have ONLY one neutral terminal.

IT IS ESSENTIAL THAT YOU FOLLOW CLOSELY STEPS 1 TO 8 OF THE MOUNTING AND INSTALLATION INSTRUCTIONS BELOW. FAILURE TO DO SO WILL INVALIDATE THE WARRANTY.

Mounting and Installation

Step 1 - Please ensure that you position the PIR in the correct place by reading the Positioning section of these instructions. For flush mounting cut a clean hole measuring 64mm in diameter in the chosen area for the sensor. For surface mounting attach surface mount cup to ceiling with connection cable hanging through the middle. Seal any large holes on ceiling to prevent air current activation.

Step 2 - Ensure that the mains power to the circuit is switched off. Ensure terminal cover and cable clamp are correctly fitted with screws supplied. Place the Live In into the Terminal marked Live In and the switched Live Out into the Live Out terminal. Place the neutral into the connection marked N for neutral. Please note that it is essential that the Live In wire and the switch Live Out and Neutral are identified prior to commencing installation. To connect multiple units connect the live switch live and neutrals as shown in Diagram 2. Turn off mains supply for installation as live working is not recommended and can damage the unit.

Step 3 - For flush mounting fold the two arms up into the vertical position and insert unit into the hole. Release unit ensuring arms are securely in place. For surface mounting fit surface mount cup onto ceiling or conduit terminal box and return connected PIR into surface mount cup.

Step 4 - Remove the fascia by turning anti-clockwise to show the lux pot, sensitivity pot and the timing/lux Dip switches. Please adjust the Lux Level and Sensitivity potentiometer gently without force as this is a sensitive electronic part. After adjustment please wait 30 seconds for changes to take effect. It is recommended product is set up initially using the 10 secs walk test mode.

Step 5 - To set Auto Lux (150 Lux), switch Dip switch 4 to the ON position. This will allow activation of the PIR from Dusk until Dawn only. To set manually then put dip switch 4 off and use the potentiometer to adjust to desired lux level setting. All the way to the plus setting will allow the PIR to switch day and night. All the way to the minus sets the timer to ZERO lux and effectively switches off the PIR. To set manually you will need to be present at dusk (See Diagram 3).

IMPORTANT NOTICE

All wiring should be carried out by a competent person or a qualified electrician and should be fitted to IEE 17th Edition Wiring regulations BS7671:2008. The circuit should be isolated before carrying out any work. Failure to adhere to the instructions will invalidate the warranty.

diagram 3

Please note that the black bar denotes the position of the dip switch.
Dip switch 4 is only used for Setting Automatic (150 Lux) or Manual Lux ONLY.

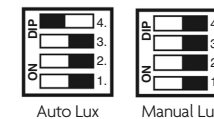
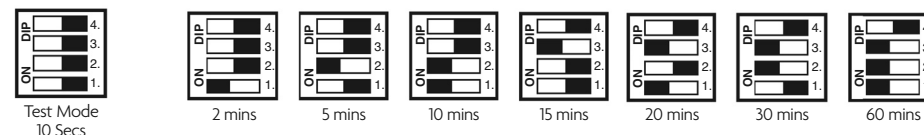


diagram 4

Time Settings (Test Mode to 60 mins)



Step 6 - To adjust sensitivity turn anti-clockwise to the High (H) setting to increase sensitivity and clockwise to the Low (L) to decrease sensitivity.

Step 7 - To set time please utilise the dip switch timing diagram above. The black bar denotes dip switch position. Replace fascia ring by turning anti clockwise (See Diagram 4).

Step 8 - The PIR will take approximately 2½ minutes to initialise and will flash rapidly after the mains power is first applied to allow the sensor to learn its environment. The load will be ON after 7 seconds initially, then switch off after 2½ minutes if there is no detection in the zones.

Operation

In standard operation the PIR will now sense infra red heat when a person or source of heat passes through the detection zone. Each time the PIR is triggered it will reset the timer back to the start of the timing period. The unit will then wait 5 seconds before allowing the PIR to sense and re trigger the timing period again.

If no one is present in the room or the detection zone is not passed through, during its set time period, the timer will time out, turning off the lights or appliance.

The PIR unit will only trigger the lights or appliance if the ambient light level is below that set on the lux level adjustment.

IMPORTANT NOTICE

All wiring should be carried out by a competent person or a qualified electrician and should be fitted to IEE 17th Edition Wiring regulations BS7671:2008. The circuit should be isolated before carrying out any work. Failure to adhere to the instructions will invalidate the warranty.

X-ON Electronics

Largest Supplier of Electrical and Electronic Components

Click to view similar products for [Elkay](#) manufacturer:

Other Similar products are found below :

[370B-1](#) [550B-1](#) [374-DREM](#) [374-DMBOX](#) [AQUASAFE](#) [400A](#) [041852X](#) [041854F](#) [041874R](#) [2001/3/CG/3](#) [1278](#) [1275](#) [1276-18](#)
[2001/4/CG/4](#)